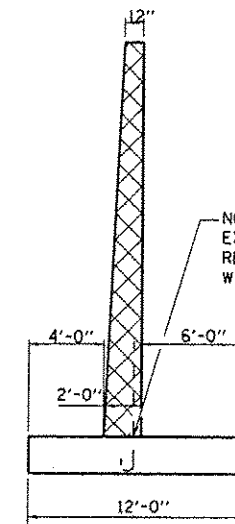
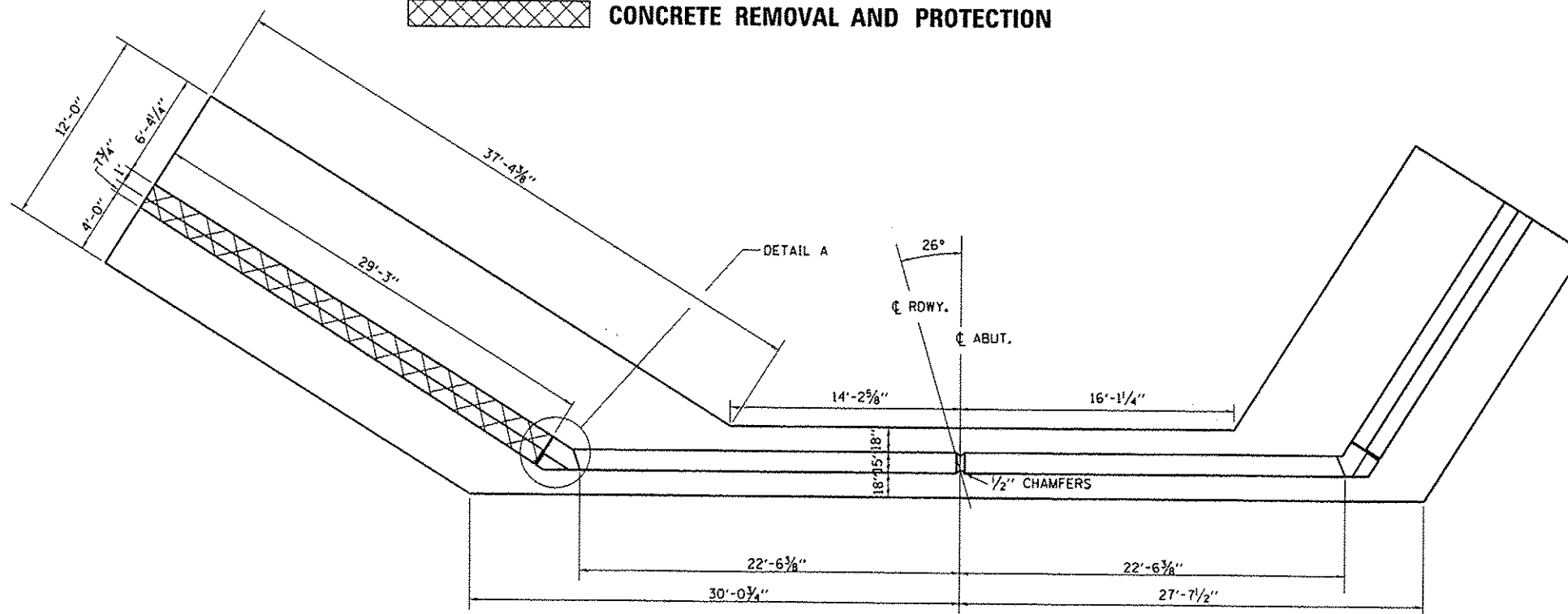


**ELEVATION**

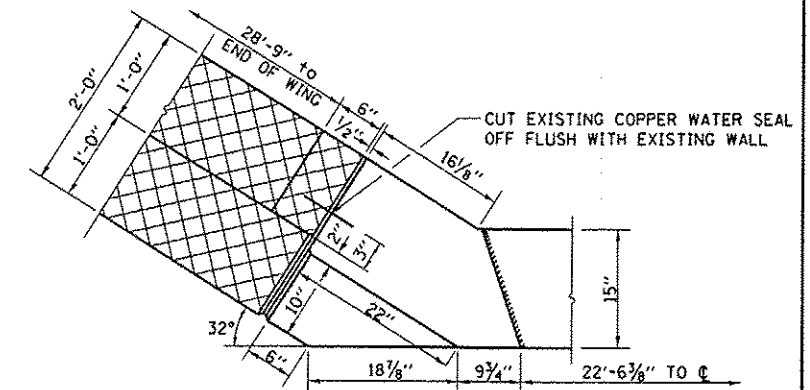


**SEC. THRU WING AT JOINT**

 **CONCRETE REMOVAL AND PROTECTION**



**PLAN - EAST ABUTMENT**



**CORNER DETAIL A**

FILE NAME :	USER NAME :	DESIGNED -	REVISED -	STATE OF ILLINOIS DEPARTMENT OF TRANSPORTATION	CONCRETE REMOVAL DETAILS FOR STRUCTURE NO. 027-0017	F.A.P.	SECTION	COUNTY	TOTAL	SHEET	
0:\pwork\ps\d01\woodshankr\1\08314887\0	woodshankr1	RW	-			71	(113-RB)	FORD	9	8	
		DRAWN -	REVISED -			SCALE: SHEET 2 OF 4 SHEETS STA. TO STA.		CONTRACT NO. 66C52		ILLINOIS FED. AID PROJECT	
#MODELNAME		RW	-								
		CHECKED -	REVISED -								
		DATE -	REVISED -								