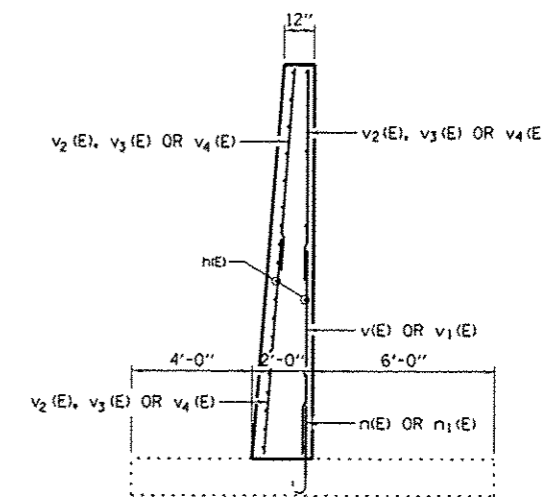


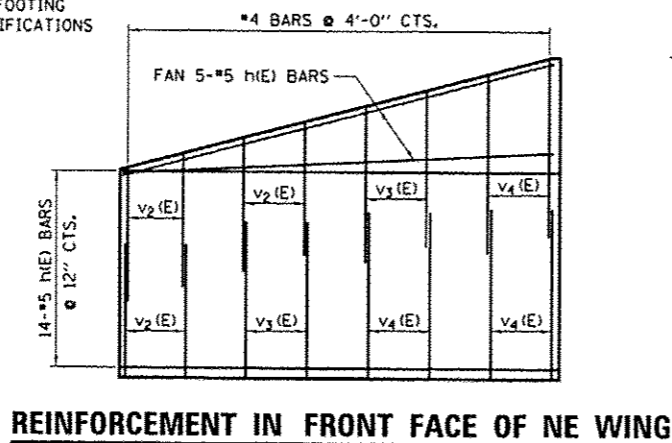
ELEVATION



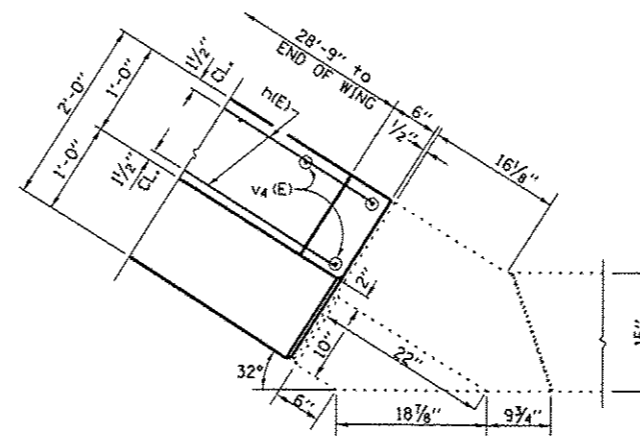
SEC. THRU WING AT JOINT

REINFORCEMENT IN BACK FACE OF NE WING

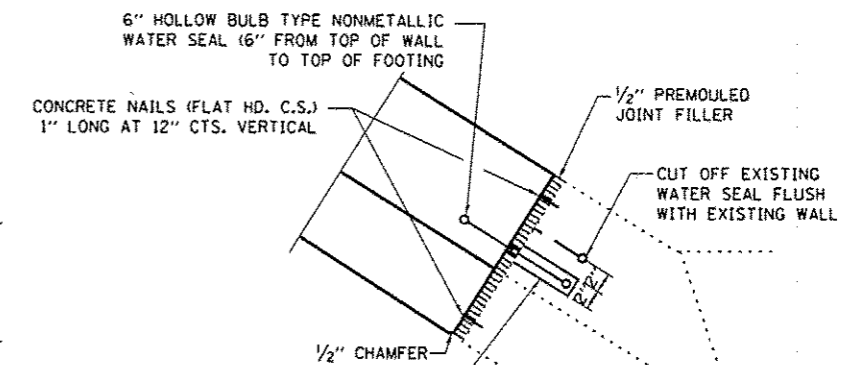
DRILL AND GROUT n(E) AND n1(E) BARS INTO EXISTING FOOTING IN ACCORDANCE WITH SECTION 584 OF THE STANDARD SPECIFICATIONS



REINFORCEMENT IN FRONT FACE OF NE WING

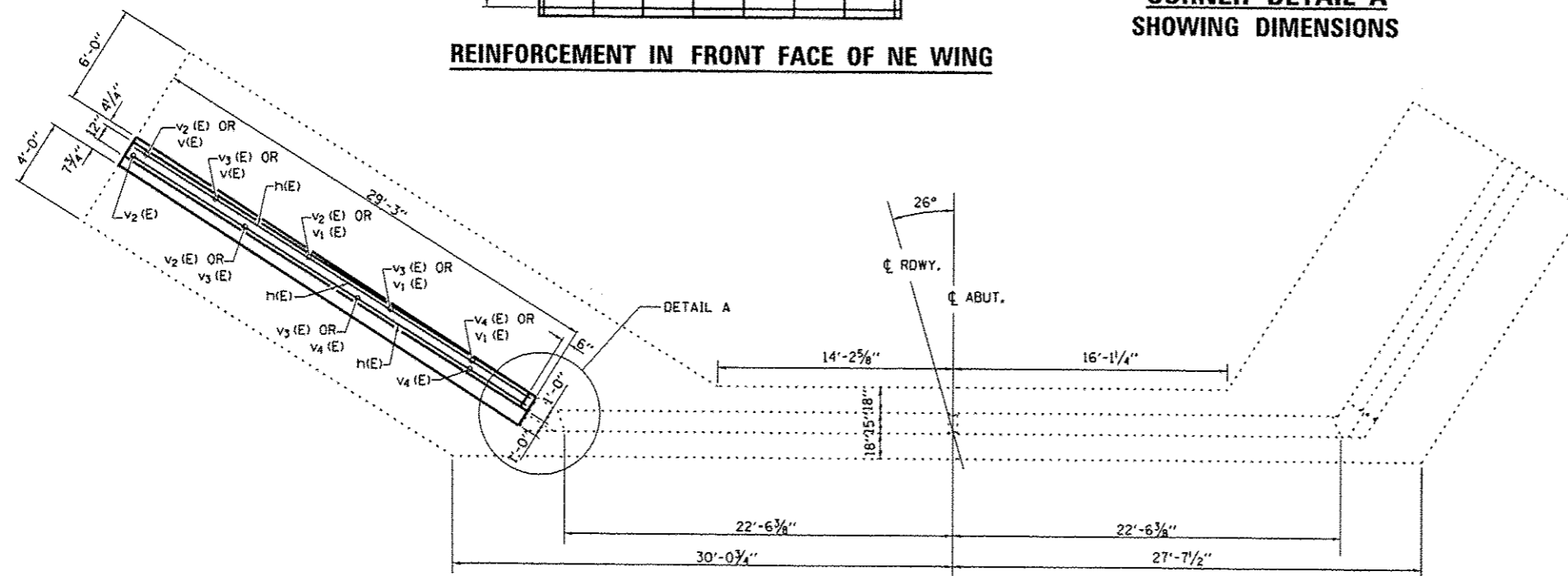


**CORNER DETAIL A
SHOWING DIMENSIONS**



EPOXY NEW WATER SEAL INTO 2" WIDE SAWCUT GROOVE, EPOXY TO MEET THE REQUIREMENTS OF ASTM C881, TYPE III, GRADE 3, PRIME GROOVE4 WITH AN EPOXY MEETING ASTM C881, TYPE III, GRADE 1.

**CORNER DETAIL A
WATERSEAL**



PLAN - EAST ABUTMENT

BILL OF MATERIAL

BAR	NO.	SIZE	LENGTH	SHAPE
h(E)	25	#5	28'-11"	————
n(E)	22	#8	6'-9"	————
n1(E)	48	#7	3'-9"	————
v(E)	13	#7	7'-6"	————
v1(E)	22	#7	11'-0"	————
v2(E)	19	#4	8'-9"	————
v3(E)	19	#4	10'-3"	————
v4(E)	14	#4	11'-9"	————
CONCRETE REMOVAL		CU YD	38.2	
CONCRETE BOX CULVERT		CU YD	38.2	
REINFORCEMENT BARS, EPOXY COATED		LBS	2563	