

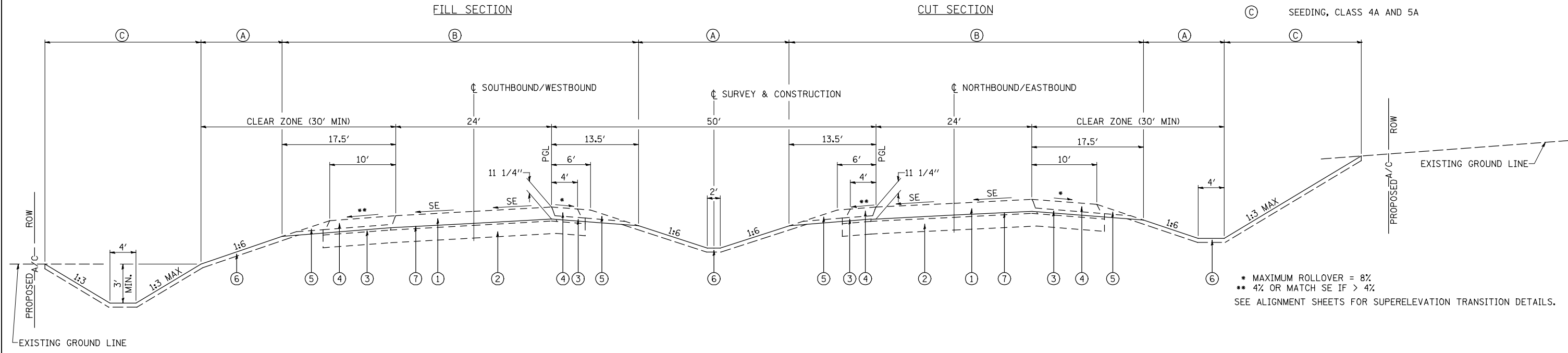
IL 336 SUPERELEVATED SECTION

STA. 718+25.64 TO STA. 729+36.36 - CURVE #5 LT
 STA. 729+36.36 TO STA. 734+00.00 - ROADWAY GRADING OMISSION AT 950E
 STA. 734+00.00 TO STA. 754+54.15 - CURVE #5 LT
 STA. 796+76.36 TO STA. 802+00.00 - CURVE #6 RT
 STA. 802+00.00 TO STA. 804+00.00 - ROADWAY GRADING OMISSION AT 1500N (CH 20)
 STA. 804+00.00 TO STA. 835+53.62 - CURVE #6 LT

* MAXIMUM ROLLOVER = 8%
 ** 4% OR MATCH SE IF > 4%

LEGEND

- ① FUTURE HOT-MIX ASPHALT PAVEMENT, 13 1/4"
- ② FUTURE LIME MODIFIED SOIL (12" MIN)
- ③ FUTURE SUB-BASE GRANULAR MATERIAL, TYPE C
- ④ FUTURE HOT-MIX ASPHALT SHOULDERS, 8"
- ⑤ FUTURE AGGREGATE SHOULDERS, TYPE B 8"
- ⑥ PROPOSED TOPSOIL EXCAVATION AND PLACEMENT, 4"
- ⑦ PROPOSED GRADING LINE
- (A) SEEDING, CLASS 2A
- (B) TEMPORARY EROSION CONTROL SEEDING
- (C) SEEDING, CLASS 4A AND 5A



IL 336 SUPERELEVATED SECTION

STA. 548+25.25 TO STA. 575+11.16 - CURVE #1 LT
 STA. 635+34.06 TO STA. 639+40.00 - CURVE #3 RT
 STA. 644+60.00 TO STA. 648+71.14 - CURVE #3 RT
 STA. 657+80.17 TO STA. 680+43.63 - CURVE #4 RT
 STA. 680+43.63 TO STA. 681+98.19 - ROADWAY GRADING OMISSION AT 1350N (CH 14)
 STA. 681+98.19 TO STA. 702+35.76 - CURVE #4 RT
 STA. 702+35.76 TO STA. 703+06.51 - ROADWAY GRADING OMISSION AT WILDLIFE CROSSING #2
 STA. 703+06.51 TO STA. 708+30.50 - CURVE #4 RT

* MAXIMUM ROLLOVER = 8%
 ** 4% OR MATCH SE IF > 4%
 SEE ALIGNMENT SHEETS FOR SUPERELEVATION TRANSITION DETAILS.

NOTE

TOP OF PROPOSED GRADING IS 11.25" LOWER THAN THE PROPOSED PAVEMENT ELEVATION SHOWN IN THE PLANS, USING CROSS SLOPE AS SHOWN ON THE FUTURE ROADWAY TYPICAL SECTIONS.

FILE NAME =	USER NAME = jdeen	DESIGNED - JRB	REVISED -	STATE OF ILLINOIS DEPARTMENT OF TRANSPORTATION	FAP 407 (IL RTE 336) TYPICAL SECTIONS - IL RTE 336 SUPERELEVATED SECTION			F.A.P. RTE.	SECTION	COUNTY	TOTAL SHEETS	SHEET NO.
W:\Transportation\2891\Grading Plans\2891\TYPSEC002.dgn		DRAWN - TJD	REVISED -		407	(55-3)A	McDONOUGH	671	21			
PLOT SCALE = 20.00' / IN.		CHECKED - JRB	REVISED -		DATE				CONTRACT NO. 68A42			
PLOT DATE = 12/12/2012		DATE - 12-12-12	REVISED -		SCALE: N/A	SHEET NO. 2 OF 6 SHEETS	STA.	TO STA.	ILLINOIS FED. AID PROJECT			