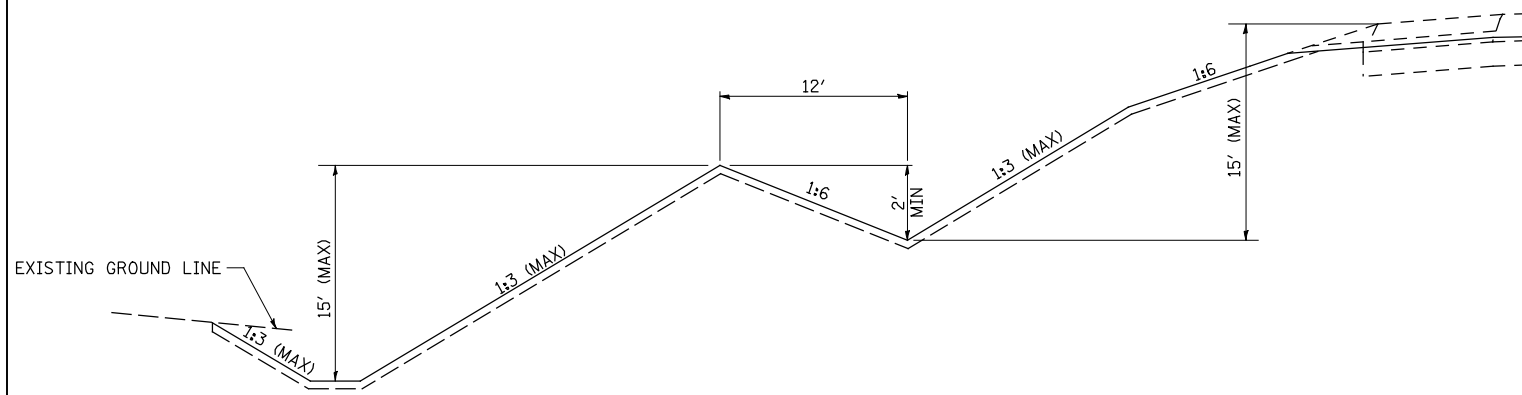
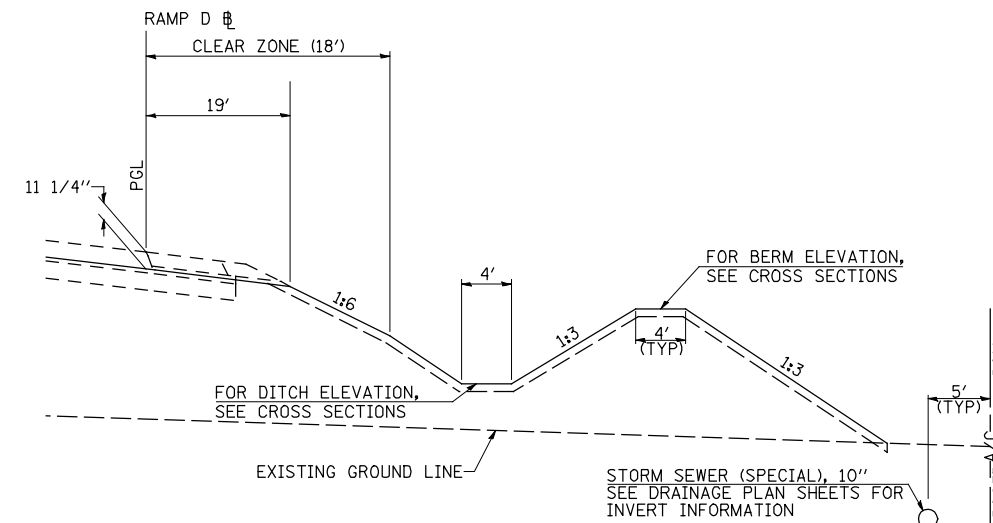


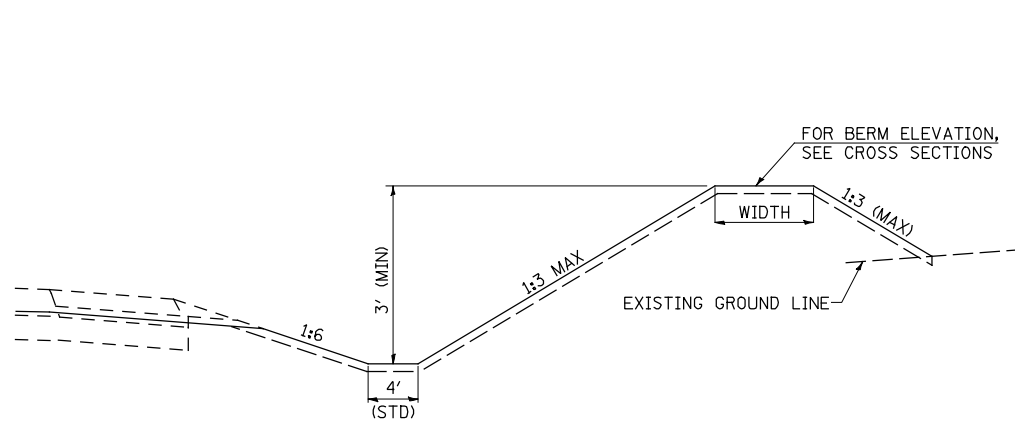
IL 336 & CH 14 - TYPICAL APPLICATION OF BENCH DITCH IN CUT SECTION



IL 336 & CH 14 - TYPICAL APPLICATION OF BENCH DITCH IN FILL SECTION

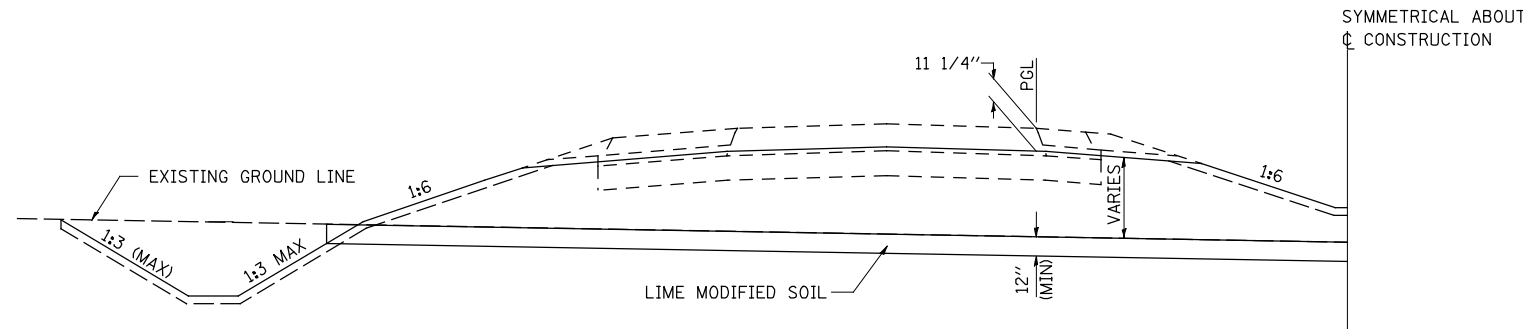


RAMP D - TYPICAL APPLICATION OF EARTH BERM IN FILL
RAMP D @ US 67 INTERCHANGE) RT STA. 215+50.00 TO RT STA 219+25



IL 336 - TYPICAL APPLICATION OF DITCH BACKSLOPE BERM

LOCATION	SIDE	BERM WIDTH
STA 607+50 TO STA 608+50	LT&RT	6'
STA 638+00 TO STA 646+00	RT	10'
STA 690+50 TO STA 692+00	LT&RT	6'



IL 336 - TYPICAL APPLICATION OF SOIL STABILIZATION FOR EMBANKMENT PLATFORM

APPROXIMATE LOCATION (SEE CROSS SECTIONS)
STA 603+50 TO STA 605+00
STA 806+00 TO STA 814+00

FILE NAME =	USER NAME = jdeen	DESIGNED - JRB	REVISED -
W:\Transportation\2891\Grading Plans\2891TYPSEC003.dgn		DRAWN - TJD	REVISED -
	PLOT SCALE = 20.00 FT / IN.	CHECKED - JRB	REVISED -
	PLOT DATE = 12/12/2012	DATE - 12-12-12	REVISED -

STATE OF ILLINOIS
DEPARTMENT OF TRANSPORTATION

FAP 407 (IL RTE 336)
TYPICAL SECTIONS - SPECIAL SECTION DETAILS

SCALE: N/A SHEET NO. 6 OF 6 SHEETS STA. TO STA.

F.A.P. RTE.	SECTION	COUNTY	TOTAL SHEETS	SHEET NO.
407	(55-3)A	McDONOUGH	671	25
				CONTRACT NO. 68A42
ILLINOIS FED. AID PROJECT				