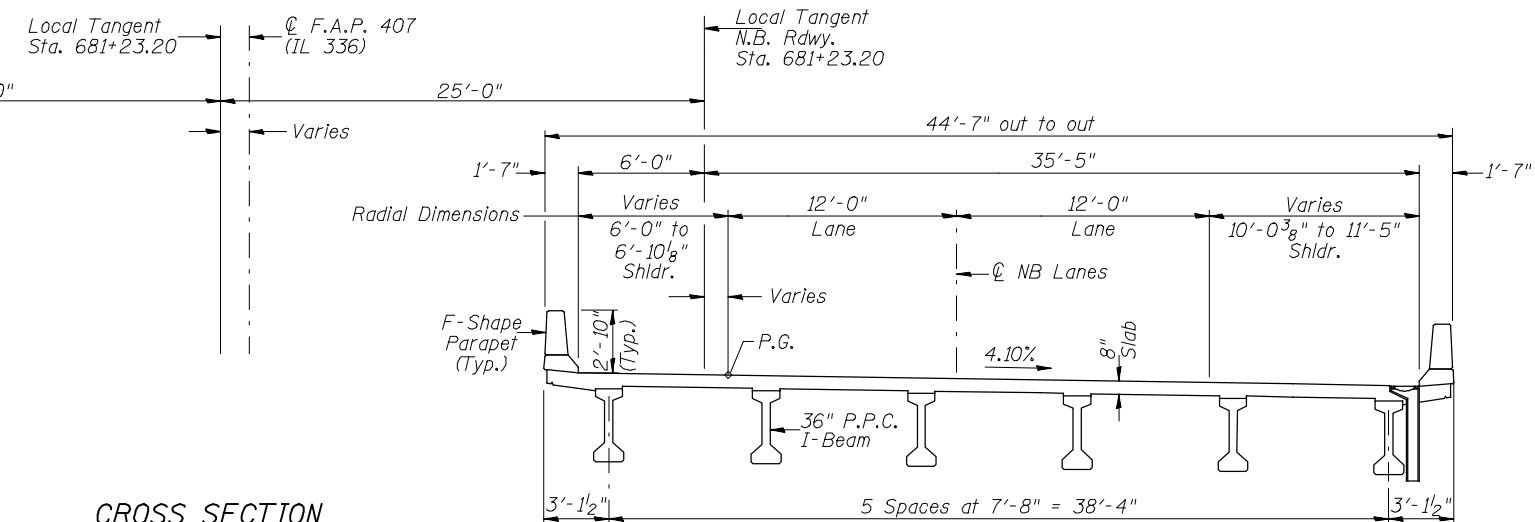
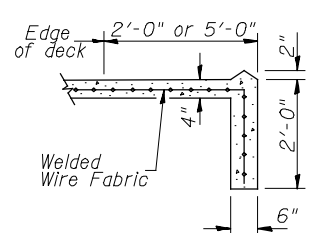


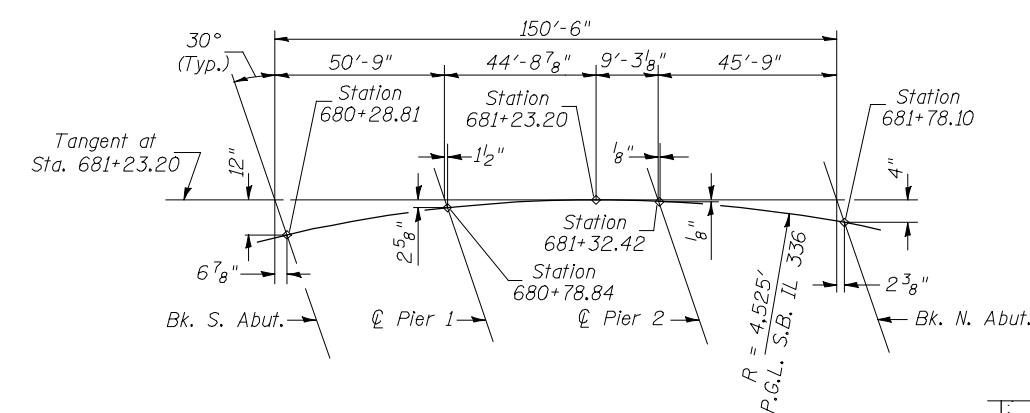
SECTION B-B  
\*1:4 (V:H)  
\*\*1:2 (V:H)



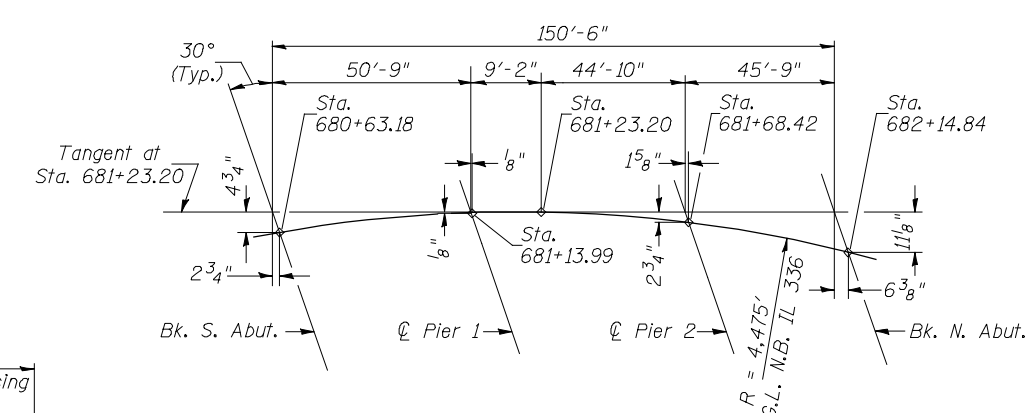
CROSS SECTION  
(Looking North)



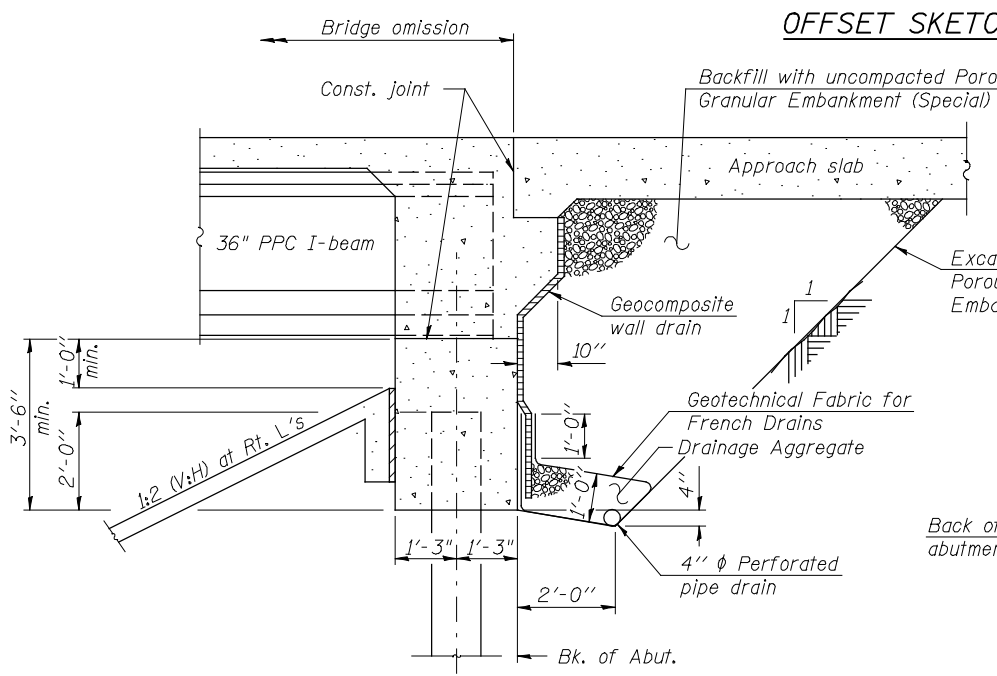
SECTION A-A



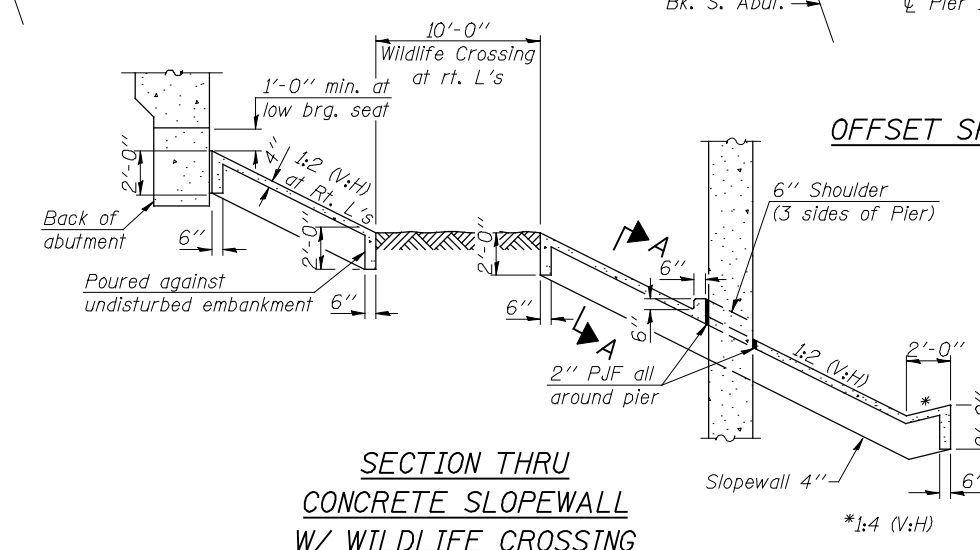
OFFSET SKETCH SB STRUCTURE



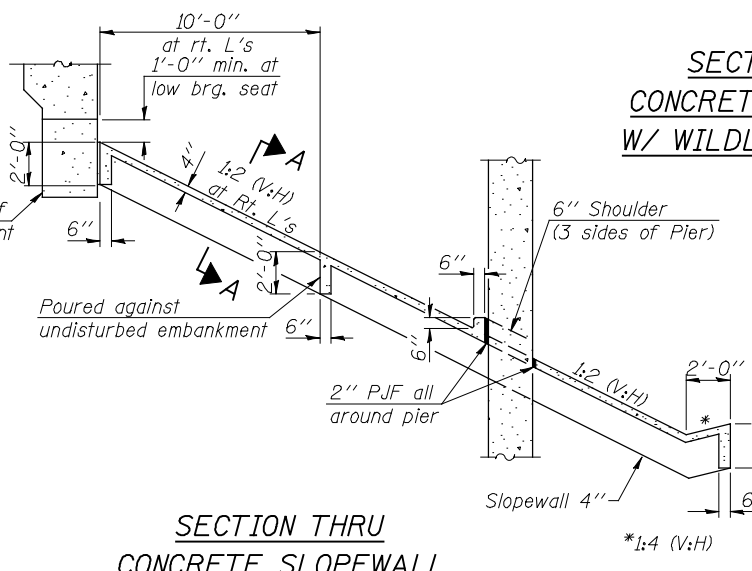
OFFSET SKETCH NB STRUCTURE



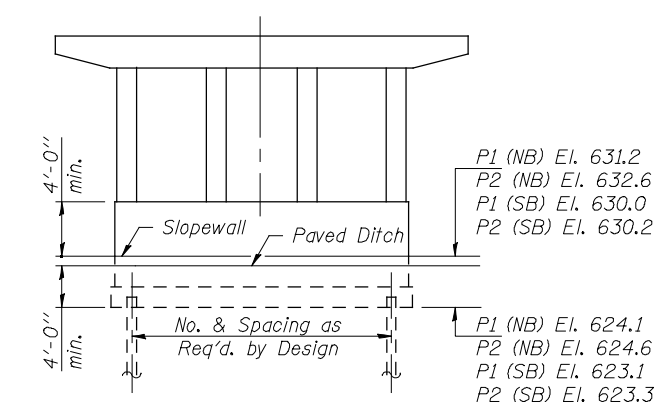
SECTION THRU INTEGRAL ABUTMENT  
(Horiz. dim. @ Rt. L's)



SECTION THRU CONCRETE SLOPEWALL  
W/ WILDLIFE CROSSING



SECTION THRU CONCRETE SLOPEWALL



PIER SKETCH

**NOT FOR CONSTRUCTION  
FOR ROADWAY REFERENCE ONLY**

**DETAILS**  
IL 336 OVER CH 14  
FAP 407 - SECTION (55-3)A  
MCDONOUGH COUNTY  
STATION 681+23.20  
STR. NO. 055-0070 (NB)  
STR. NO. 055-0071 (SB)