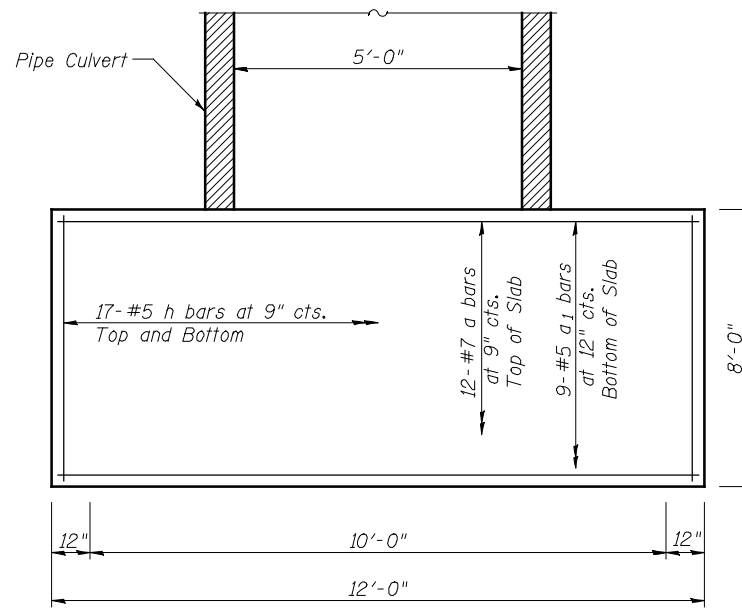
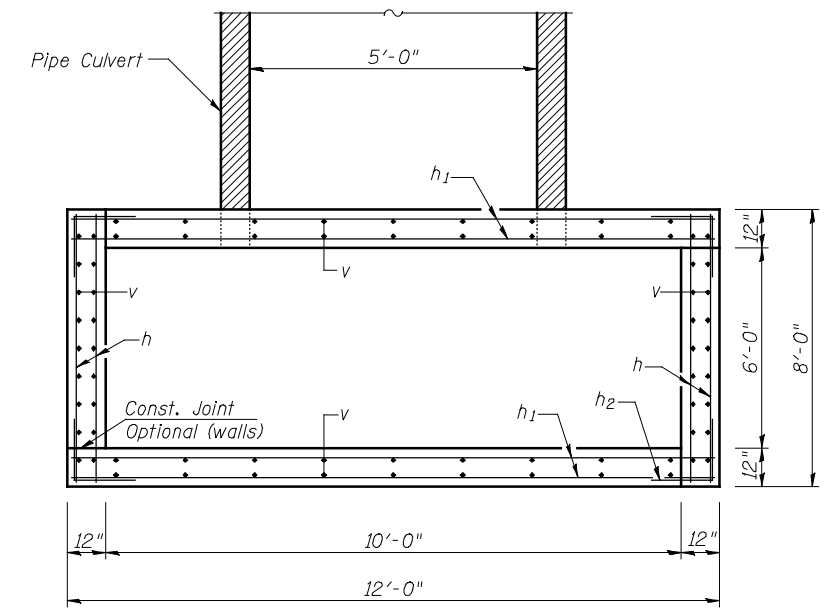


LONGITUDINAL SECTION

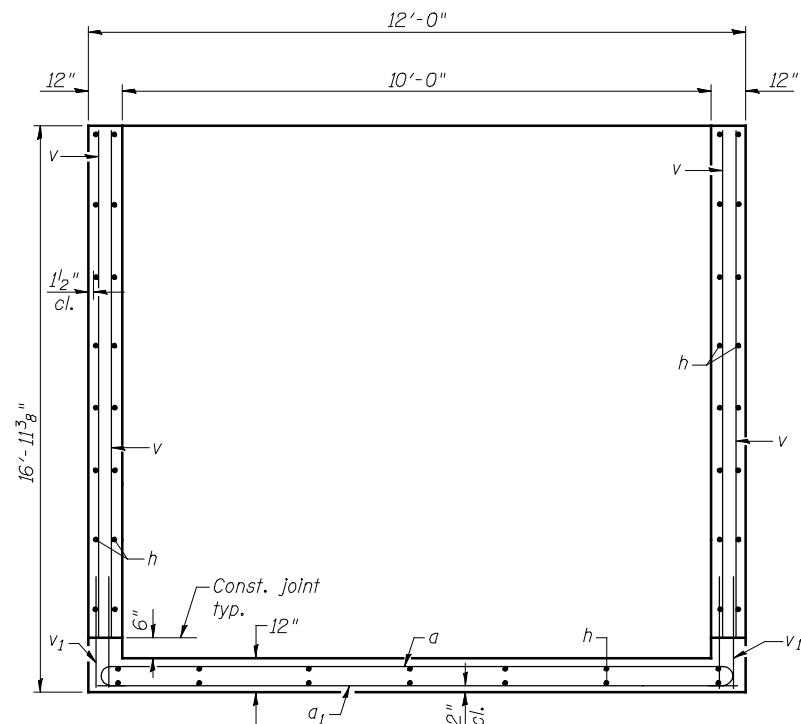
* Provide temporary support at end of pipe to support weight of wet concrete. Temporary support shall not be removed until 72 hours have elapsed after the pour and concrete has attained a minimum flexure of 650 psi or a compressive strength of 350 psi. Cost included with Pipe Culvert, Special 60".



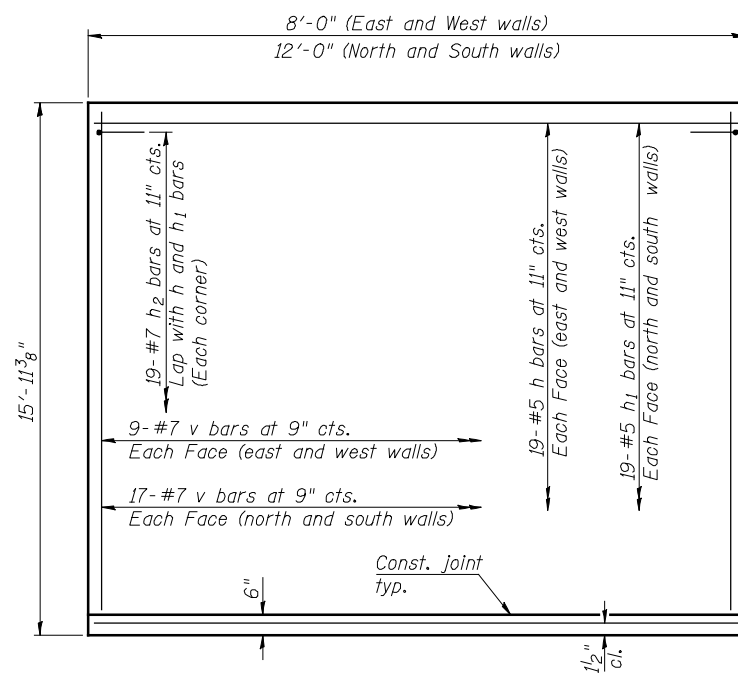
SLAB PLAN



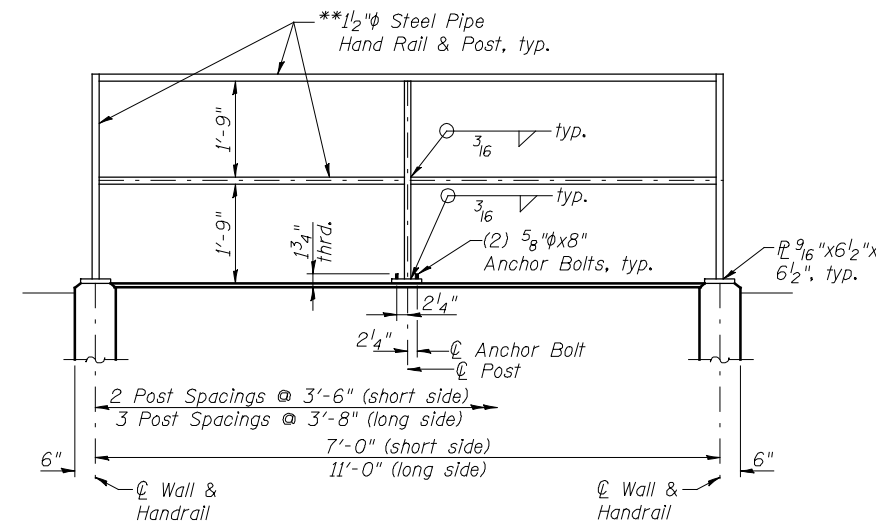
SECTION B-B



SECTION A-A



WALL LONG. SECTION



HANDRAIL ELEVATION

(Typical 4 Sides)

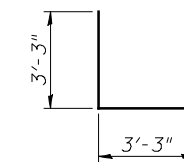
** All posts, rails, anchorage devices and plates shall be galvanized according to AASHTO M 111. All bolts, nuts and anchors shall be galvanized according to AASHTO M 232.

BILL OF MATERIAL

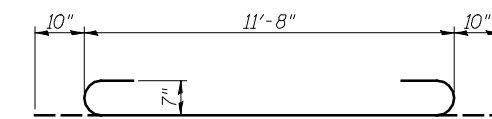
(For Information Only)

Bar	No.	Size	Length	Shape
a	12	#7	13'-4"	
a1	9	#4	11'-8"	
h	110	#5	7'-8"	
h1	76	#5	11'-8"	
h2	76	#7	6'-6"	
v	104	#7	15'-2"	
v1	104	#7	4'-7"	
Concrete Box Culverts	Cu. Yd.		24.8	
Reinforcement Bars	Pound		7410	
Pipe Handrail	Foot		36	

Note:
Cut bars to miss precast pipe opening.
Anchor bolts shall be high strength bolts 5/8" φ, open holes 7/8" φ, unless noted otherwise.



BAR h2



BAR a