

BM 101:
Chiseled "□" on N.E. corner headwall, N. side of 1500N Rd.
±300' E. to entrance to Stanley residence No. 10631.
Elev. 695.48

No existing structure.

INDEX OF SHEETS

- 1 General Plan and Elevation
- 2 Cast In Place Culvert Details

TOTAL BILL OF MATERIAL

ITEM	UNIT	TOTAL
Reinforcement Bars	Pound	24,820
Concrete Box Culverts	Cu Yd	124.8
Porous Granular Embankment	Cu Yd	634

DESIGN SCOUR ELEVATION TABLE

Design Scour Elevation (ft.)	Downstream	Upstream
	697.09	698.01

DESIGN SPECIFICATIONS

2012 AASHTO LRFD Bridge Design Specifications
6th Edition

DESIGN STRESSES

FIELD UNITS

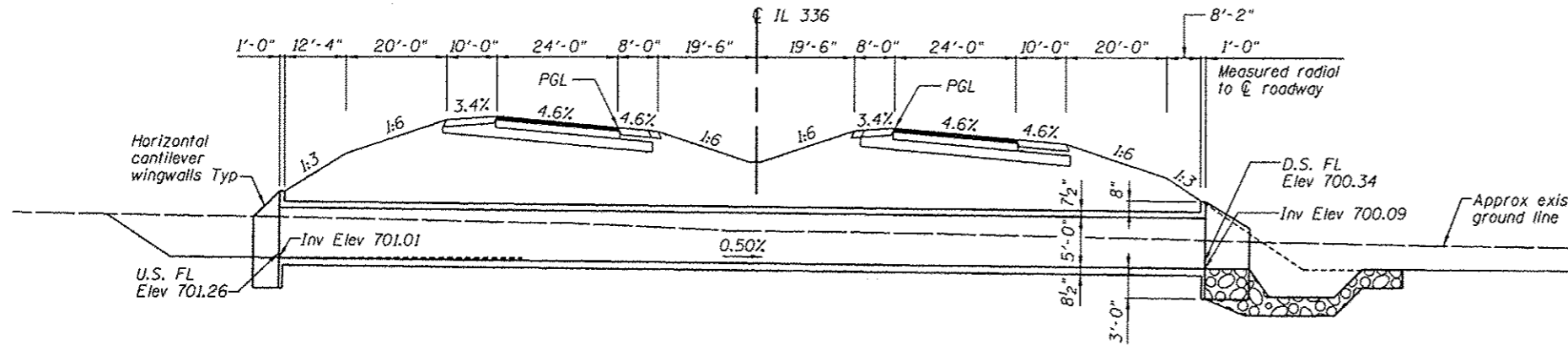
$f'_c = 3,500$ psi
 $f_y = 60,000$ psi (Reinforcement)

LOADING HL-93

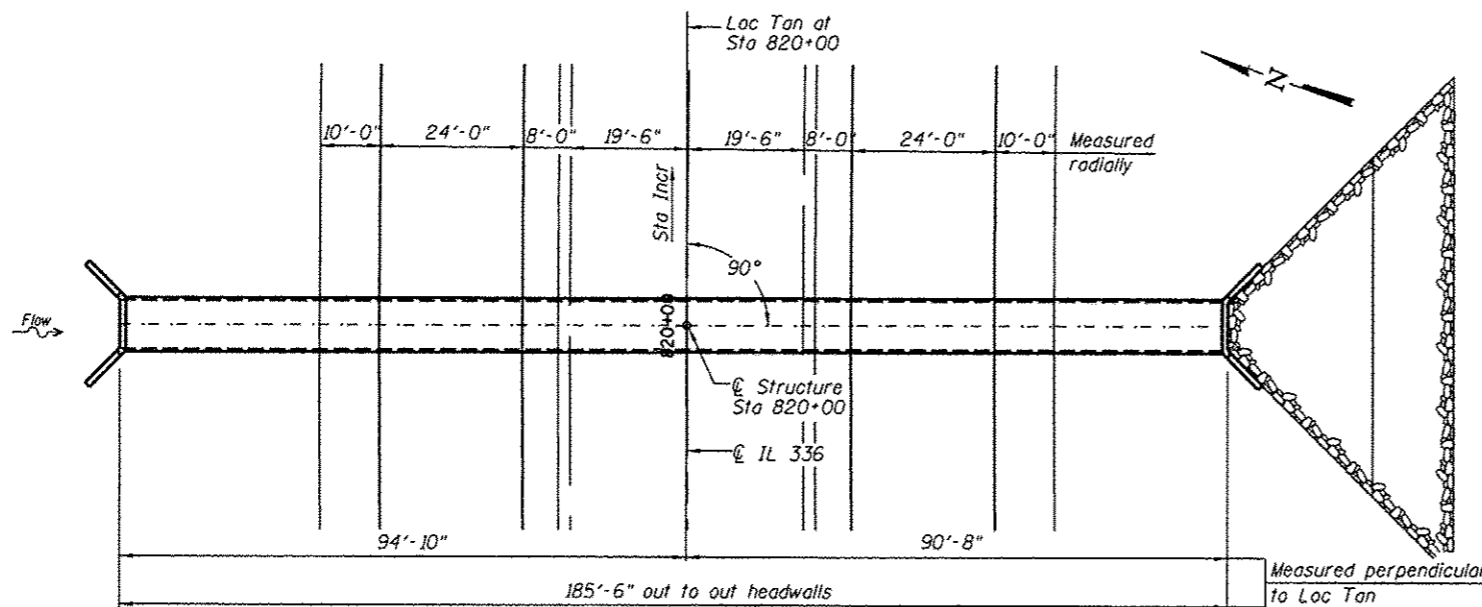
Allow 50#/sq. ft. for future wearing surface.

GENERAL NOTES:

- Precast alternate is not allowed.
- For porous granular embankment details, see Detail of Excavation and Backfill for Box Culverts Sheet.

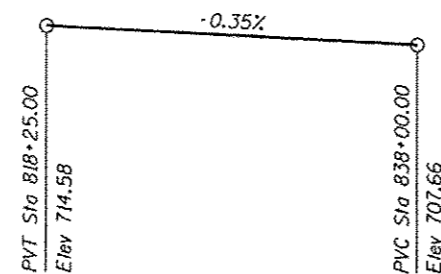


LONGITUDINAL SECTION

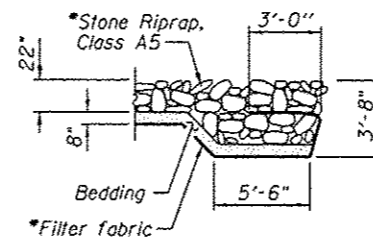


PLAN

PROP. CURVE IL336-6
PI STA. = 817+51.31
 $\Delta = 52^\circ 49' 20''$ (RT)
D = $1^\circ 30' 00''$
R = 3,820.00'
T = 1,897.19'
L = 3,521.74'
E = 445.18'
 $e = 4.6\%$
T.R. = 40.36'
S.E. RUN = 206.10'
P.C. STA. = 798+54.13
P.T. STA. = 833+75.87

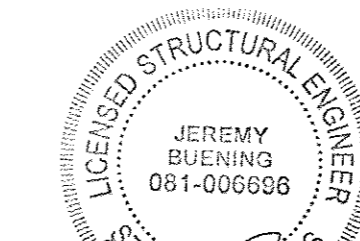


PROFILE GRADE - IL 336

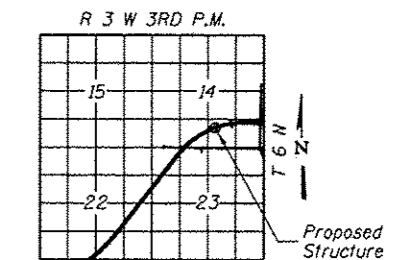


RIPRAP FLANK DETAIL

*See Roadway Plans for details and quantities.



Jeremy Buening, P.E., S.E.
License Expires 11/30/14
Date 12/3/12



LOCATION SKETCH

GENERAL PLAN AND ELEVATION,

F.A.I. 407 (IL 336)
OVER DRAINAGE DITCH
MCDONOUGH COUNTY
STATION 820+00.00

FILE NAME: I:\DDOT\9606 - HE.I.L.336\400.Structural\Box_Culverts\gn820-00.dgn

HOMER L. CHASTAIN & ASSOCIATES, LLP
CONSULTING ENGINEERS
164-001597

USER NAME	DESIGNED	REVISIONS
• jbuening	ACB	-
PLOT TIME = 8/36:57 AM	CHECKED JMB	REVISIONS -
PLOT SCALE = 32,0000 / in.	DRAWN RLK	REVISIONS -
PLOT DATE = 1/16/2013	CHECKED JMB	REVISIONS -

STATE OF ILLINOIS
DEPARTMENT OF TRANSPORTATION

GENERAL PLAN AND ELEVATION
BOX CULVERT AT STA 820+00.00
SHEET NO. 1 OF 2 SHEETS

F.A. RTE.	SECTION	COUNTY	TOTAL SHEETS	SHEET NO.
407	55-3	MCDONOUGH	67	275
				CONTRACT NO. 68418

ILLINOIS FED. AID PROJECT