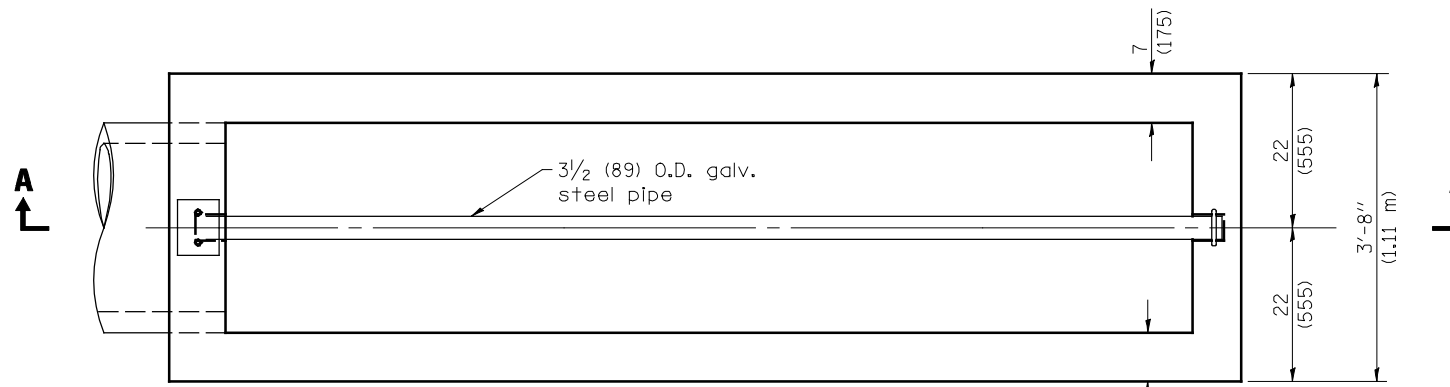


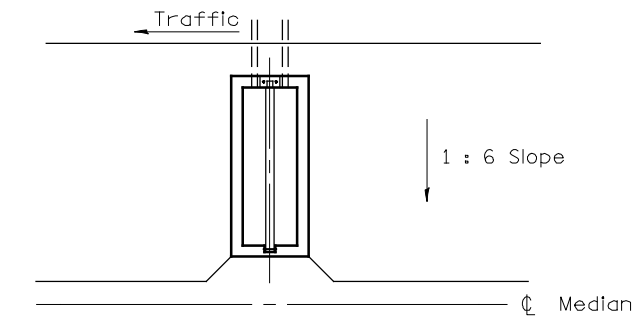
**SECTION A-A**

Material required for one inlet box

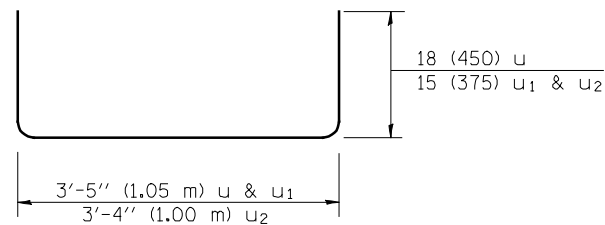
Bar	Qty.	Size	Length
h	10	No. 4 (No. 13)	12'-0" (3.65 m)
u	13	No. 4 (No. 13)	6'-5" (1.95 m)
u <sub>1</sub>	3	No. 4 (No. 13)	5'-11" (1.80 m)
u <sub>2</sub>	2	No. 4 (No. 13)	5'-10" (1.75 m)
v	8	No. 4 (No. 13)	30 (760)
v <sub>1</sub>	6	No. 4 (No. 13)	24 (610)
v <sub>2</sub>	6	No. 4 (No. 13)	18 (460)
Concrete	cu. yds. (m <sup>3</sup> )		1.9 (1.45)
Reinf. Bars	lbs. (kg)		83 (183)
Galv. Steel Pipe	3/2 (89) O.D.		12'-2 1/4" (3.71 m)



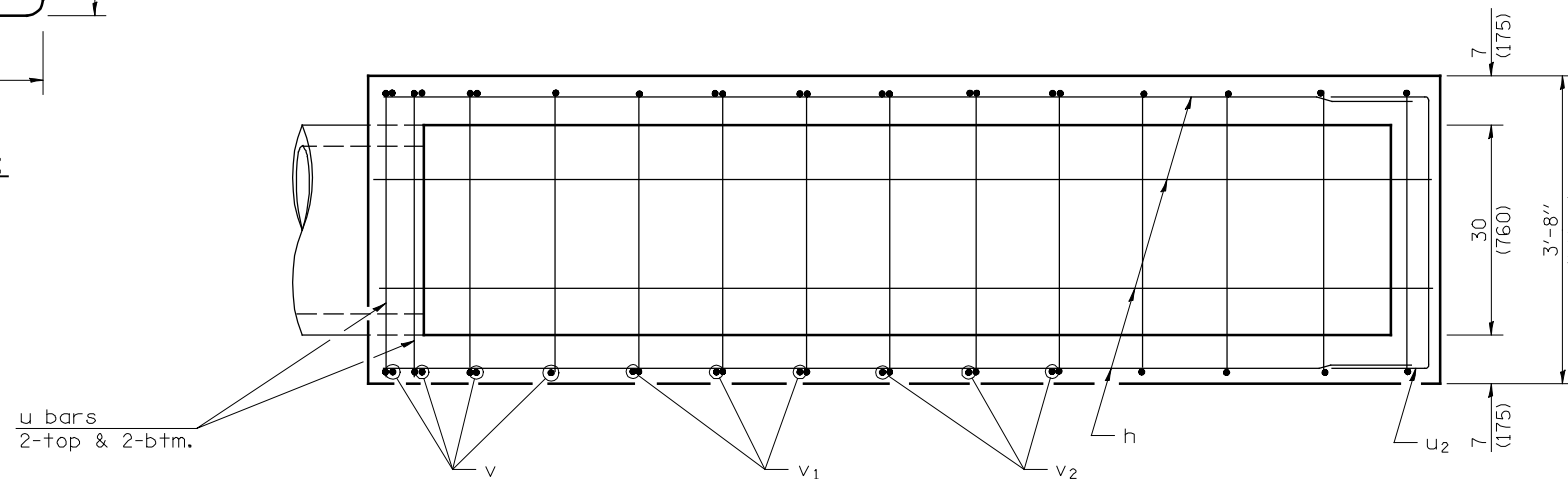
**PLAN**



Sketch showing location and direction of box in relation to median.



**Bars u, u1 & u2**



**PLAN OF REINFORCEMENT**

**GENERAL NOTES**

All slope ratios are expressed as units of vertical displacement to units of horizontal displacement (V:H).

All dimensions are in inches (millimeters) unless otherwise shown.

FILE NAME =	USER NAME = jdeen	DESIGNED - JRB	REVISED -	<b>STATE OF ILLINOIS DEPARTMENT OF TRANSPORTATION</b>	<b>FAP 407 (IL RTE 336) DETAIL OF INLET BOX, STANDARD 542511, (SPECIAL)</b>			F.A.P. RTE. 407	SECTION (55-3)A	COUNTY McDONOUGH	TOTAL SHEETS 671	SHEET NO. 302
W:\Transportation\2891\Grading Plans\2891d001.dgn		DRAWN - JMO	REVISED -		SCALE: N/A	SHEET NO. 1 OF 2 SHEETS	STA.	TO STA.	CONTRACT NO. 68A42			
PLOT SCALE = 100.0000' / IN.		CHECKED - AWM	REVISED -		ILLINOIS FED. AID PROJECT							
PLOT DATE = 12/12/2012		DATE - 12-12-12	REVISED -									