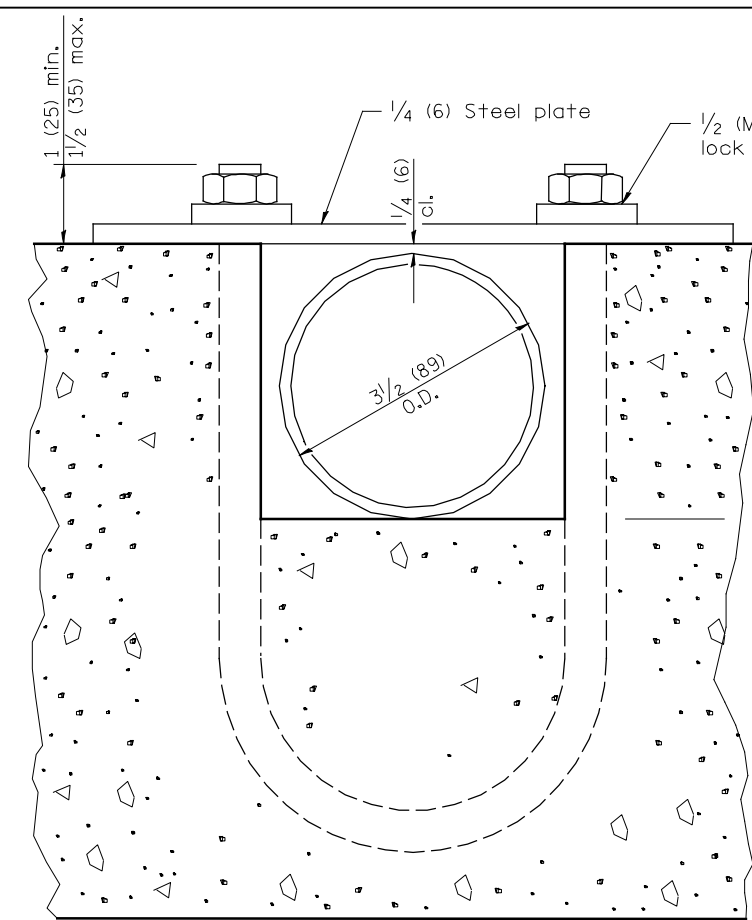
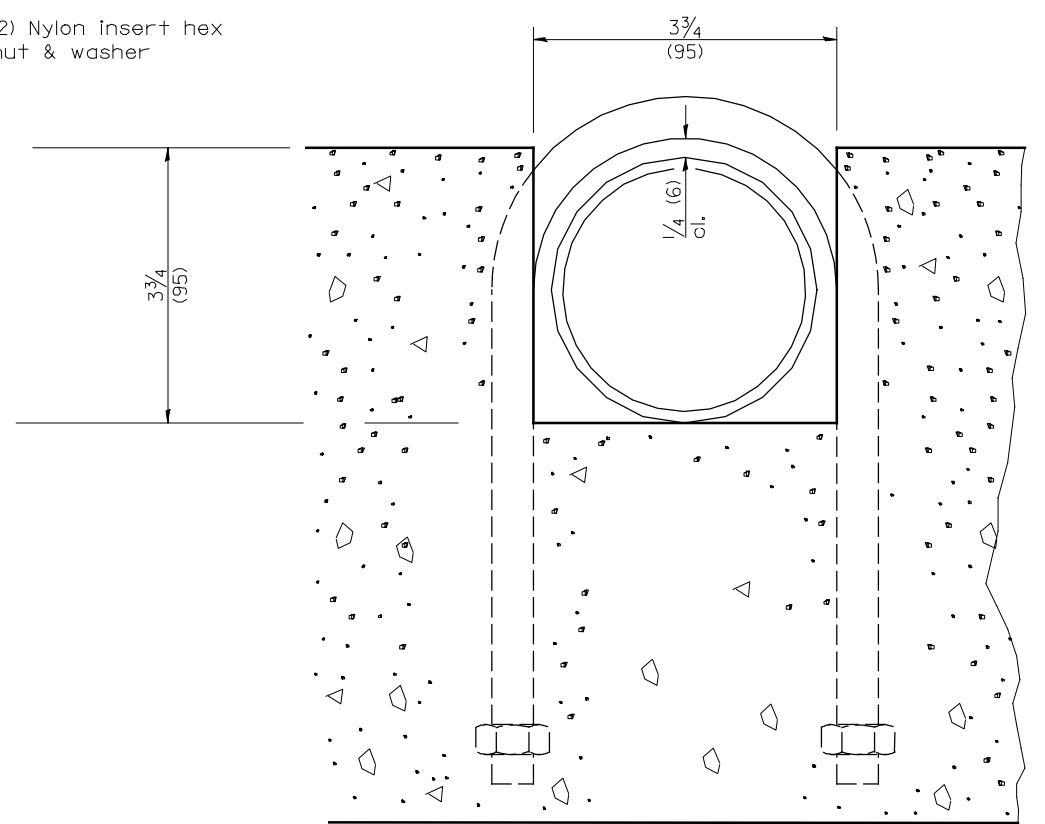


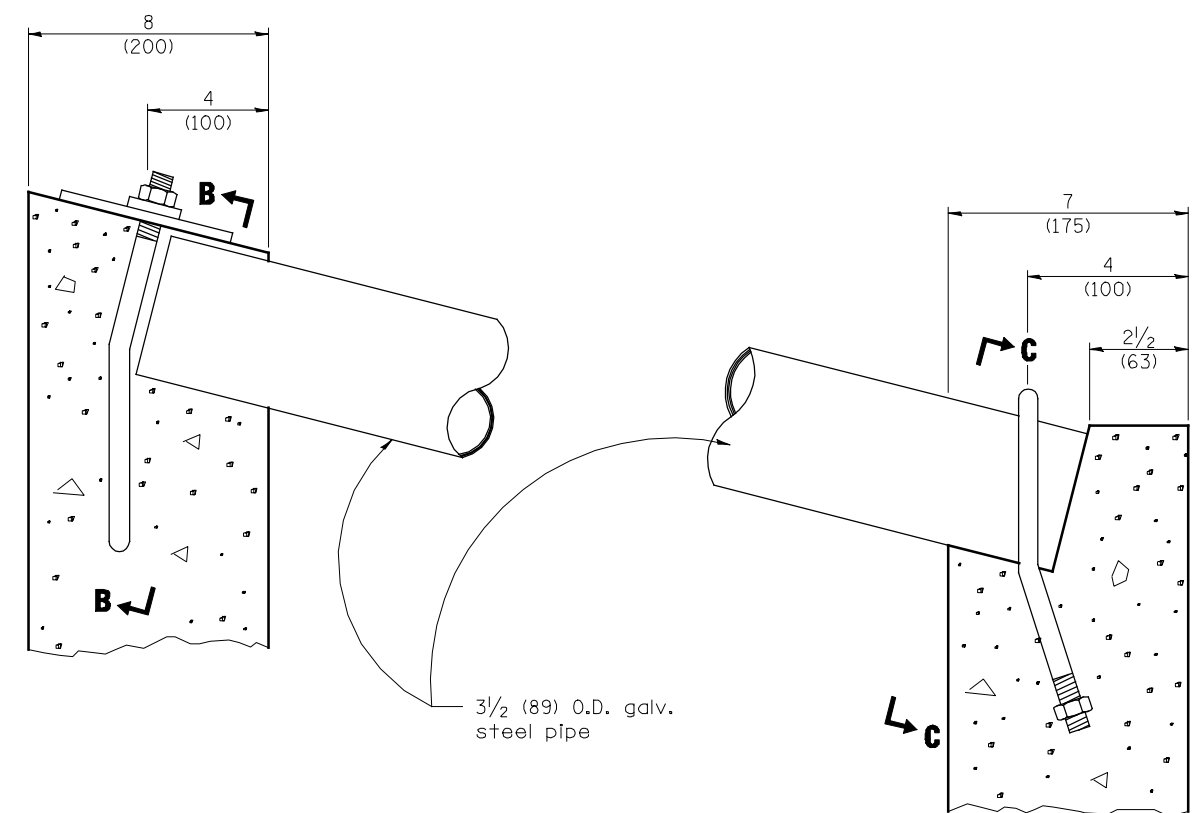
**TOP ANCHOR PLATE**  
(1 - required)



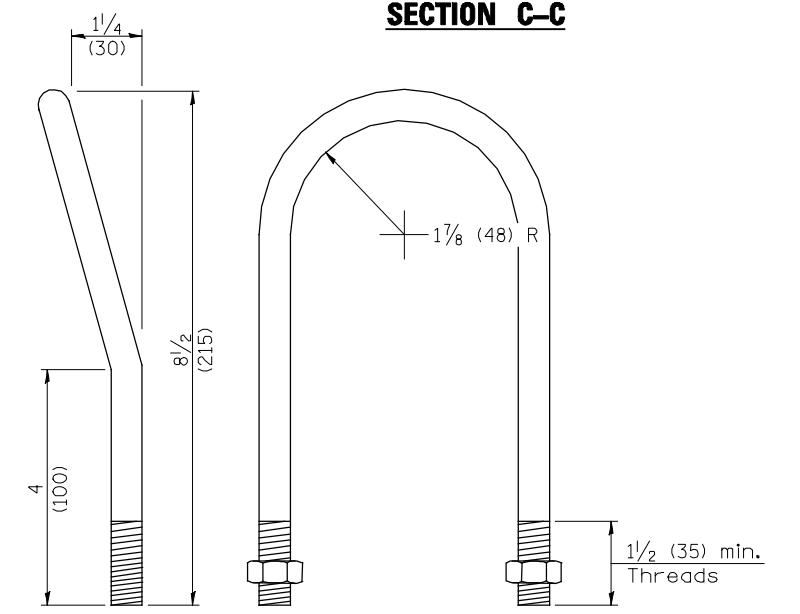
**SECTION B-B**



**SECTION C-C**



**DETAIL AT BLOCKOUTS**



**1/2 (M12) U BOLT**  
(2 - required)

FILE NAME =	USER NAME = jdeen	DESIGNED - JRB	REVISED -
W:\Transportation\2891\Grading Plans\2891d001.dgn		DRAWN - JMO	REVISED -
PLOT SCALE = 100.0000' / IN.		CHECKED - AWM	REVISED -
PLOT DATE = 12/12/2012		DATE - 12-12-12	REVISED -

**STATE OF ILLINOIS  
DEPARTMENT OF TRANSPORTATION**

**FAP 407 (IL RTE 136)  
DETAIL OF INLET BOX, STANDARD 542511 (SPECIAL)**

SCALE: N/A SHEET NO. 2 OF 2 SHEETS STA. TO STA.

F.A.P. RTE.	SECTION	COUNTY	TOTAL SHEETS	SHEET NO.
407	(55-3)A	McDONOUGH	671	303
CONTRACT NO. 68A42			ILLINOIS FED. AID PROJECT	