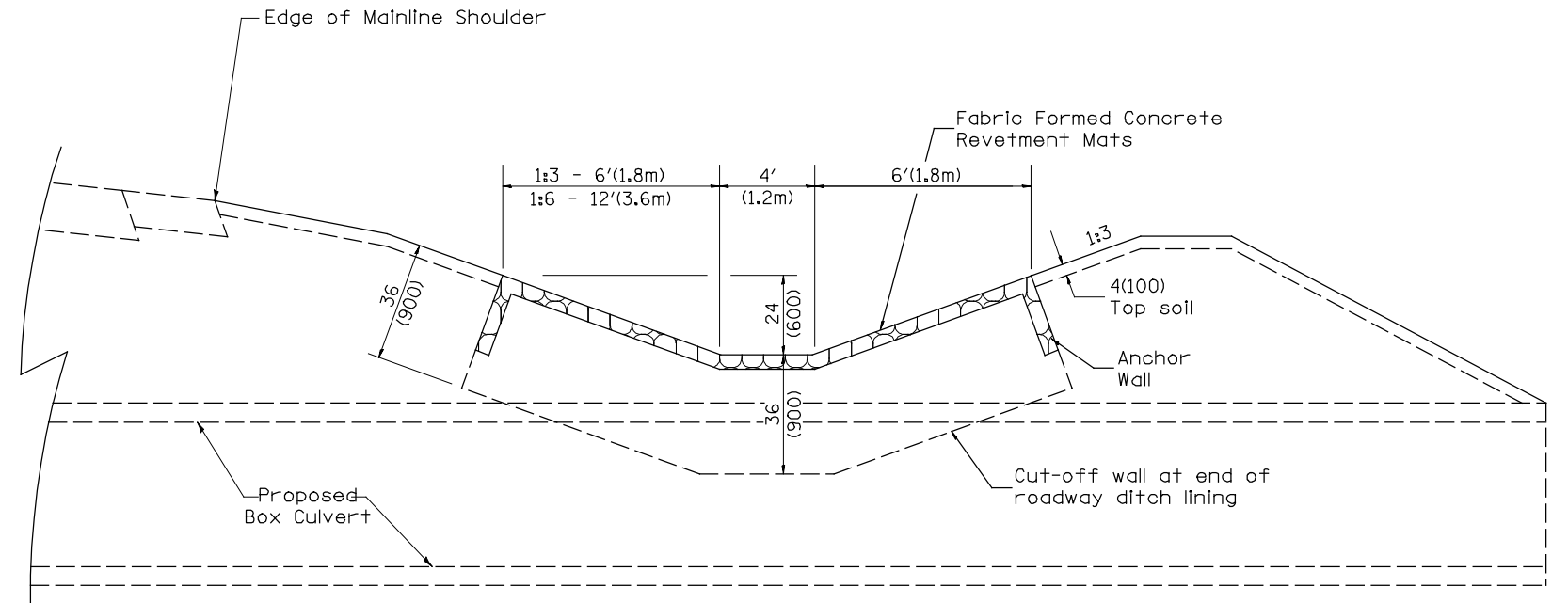
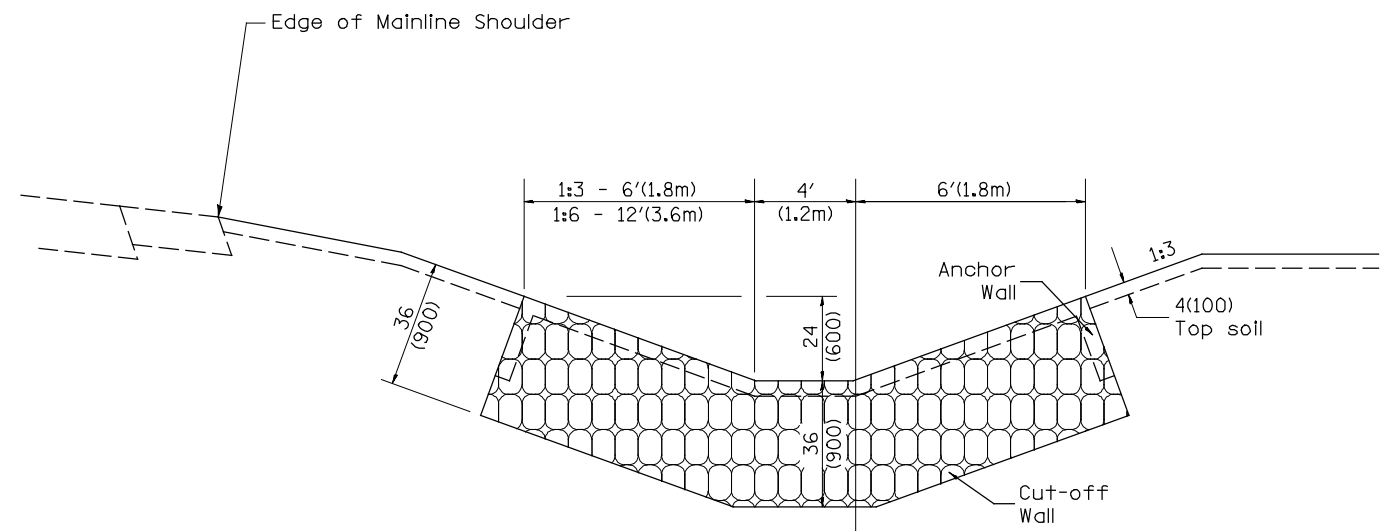


**FABRIC FORMED CONCRETE  
REVTMENT MATS**



**SECTION A-A**



**SECTION B-B  
(CUT-OFF WALL)**

**GENERAL NOTES**

1. Fabric Formed Concrete Revetment Mats shall conform to SECTION 285.

All slope ratios are expressed as units of vertical displacement to units of horizontal displacement (V:H).

All dimensions are in inches (millimeters) unless otherwise noted.

FILE NAME =	USER NAME = jdeen	DESIGNED - JRB	REVISED -
W:\Transportation\2891\Grading Plans\2891.dgn		DRAWN - JMO	REVISED -
PLOT SCALE = 100.0000' / IN.		CHECKED - JRB	REVISED -
PLOT DATE = 12/12/2012		DATE - 12-12-12	REVISED -

**STATE OF ILLINOIS  
DEPARTMENT OF TRANSPORTATION**

**FAP 407 (IL RTE 336)  
REVTMENT MAT PIPE PROTECTION DETAIL**

SCALE: N/A SHEET NO. 1 OF 1 SHEETS STA. TO STA.

F.A.P. RTE.	SECTION	COUNTY	TOTAL SHEETS	SHEET NO.
407	(55-3)A	McDONOUGH	671	306
CONTRACT NO. 68A42				
ILLINOIS FED. AID PROJECT				