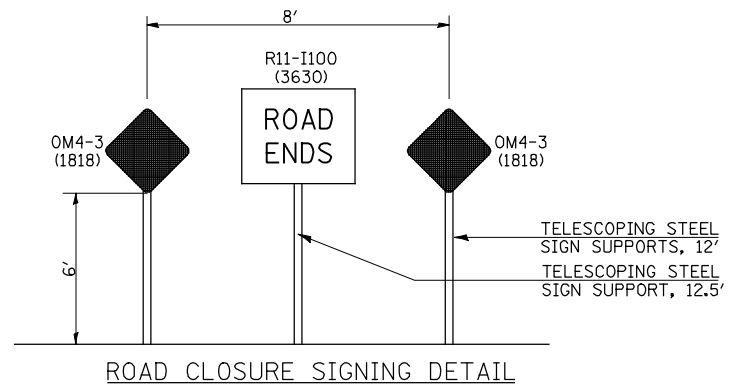
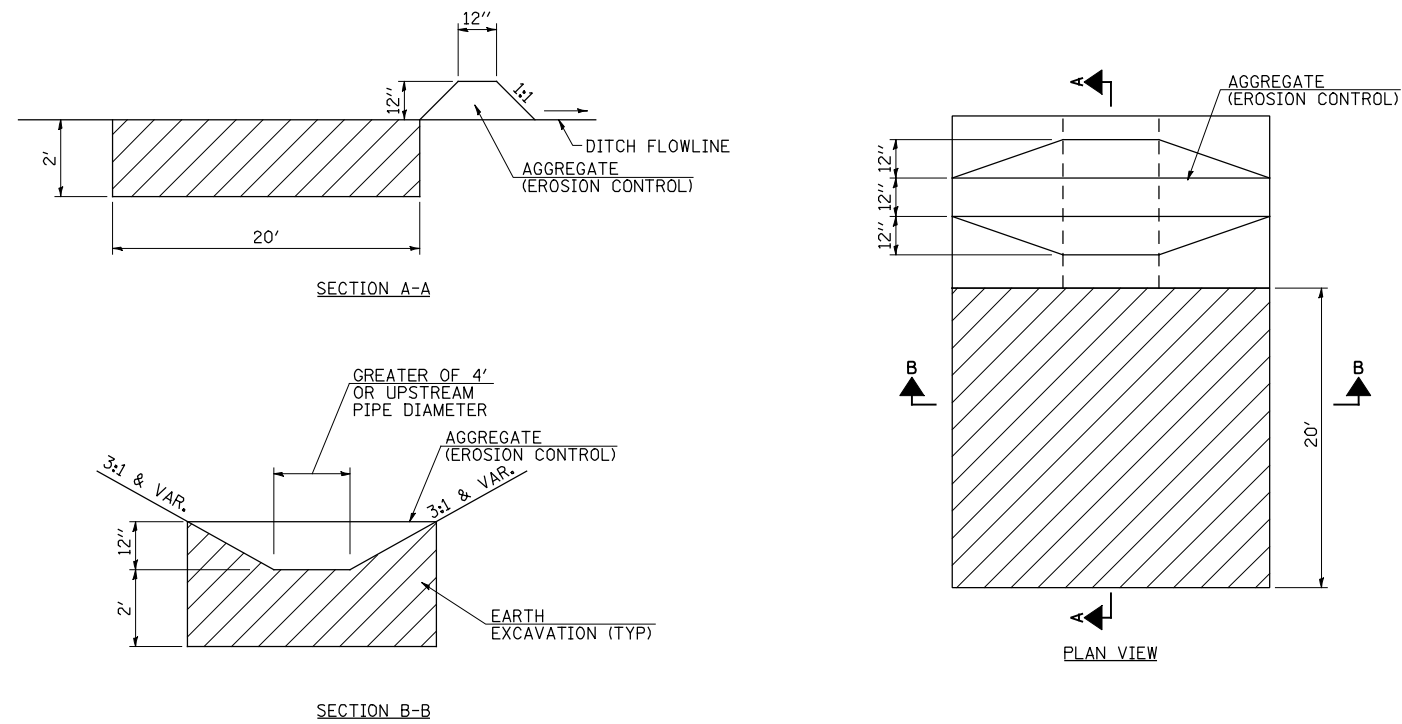


DETAIL OF EARTH BERM FOR LANE CLOSURE

NOTE: THE EARTH BERM WILL NOT BE PAID FOR SEPARATELY,
BUT CONSIDERED INCLUDED IN THE PRICE OF EARTH EXCAVATION.



ROAD CLOSURE SIGNING DETAIL



SEDIMENT BASIN

FILE NAME =	USER NAME = jdeen	DESIGNED - JRB	REVISED -
W:\Transportation\2891\Grading Plans\2891.dgn		DRAWN - TJD	REVISED -
	PLOT SCALE = 100.0000' / IN.	CHECKED - JRB	REVISED -
	PLOT DATE = 12/12/2012	DATE - 12-12-12	REVISED -

STATE OF ILLINOIS
DEPARTMENT OF TRANSPORTATION

FAP 407 (IL RTE 336)
SPECIAL EROSION CONTROL/ROAD CLOSURE SIGNING DETAILS

SCALE: N/A SHEET NO. 1 OF 1 SHEETS STA. TO STA.

F.A.P. RTE.	SECTION	COUNTY	TOTAL SHEETS	SHEET NO.
407	(55-3)A	McDONOUGH	671	307
			CONTRACT NO. 68A42	
ILLINOIS FED. AID PROJECT				