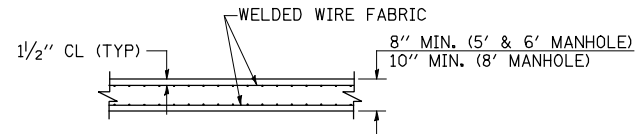
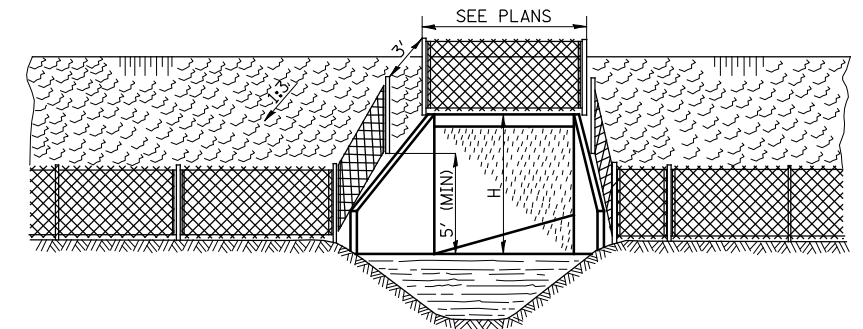


DETAIL OF STANDARD 36" MEDIAN INLET  
ON FLAT SLAB TOP



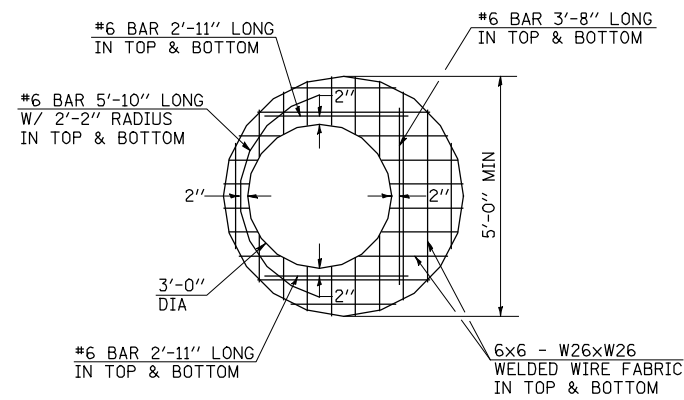
TYPICAL FLAT SLAB TOP SECTION VIEW  
FOR 5', 6' & 8' MANHOLES



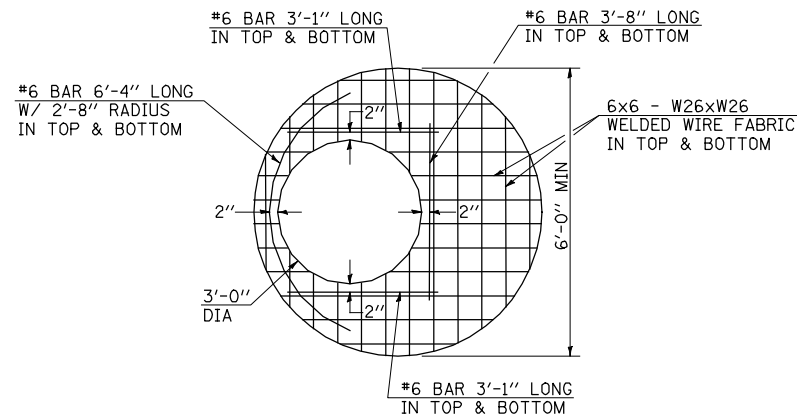
H ≥ 6': PROVIDE FENCE SECTION ALONG TOP OF OF HEADWALL AND  
CONSTRUCT AS DETAILED.  
H < 6': OMIT FENCE SECTION ALONG TOP OF HEADWALL. CONSTRUCT  
FENCE ALONG WINGWALLS TO TOP OF HEADWALL.

LOCATION  
STA 608+00 LT & RT  
STA 691+00 LT & RT

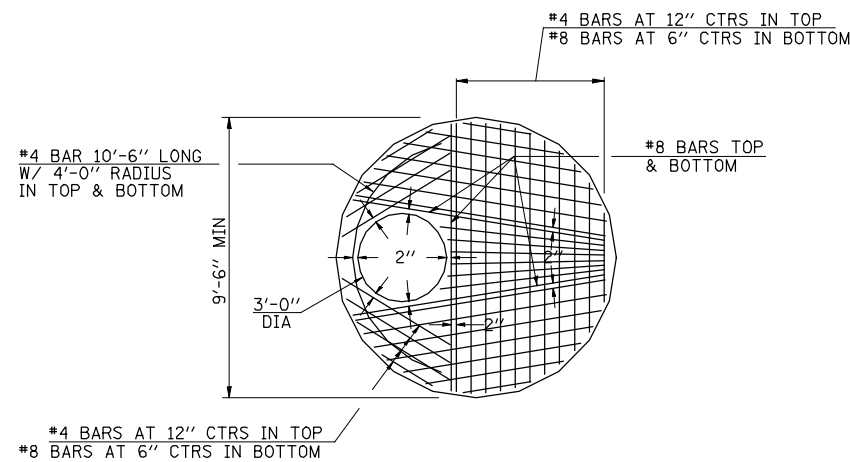
**DETAIL OF FENCE GAP FOR WILDLIFE EXIT**



5' MANHOLE FLAT SLAB TOP DETAIL  
WITH 36" OPENING



6' MANHOLE FLAT SLAB TOP DETAIL  
WITH 36" OPENING



8' MANHOLE FLAT SLAB TOP DETAIL  
WITH 36" OPENING

FILE NAME =	USER NAME = jdeen	DESIGNED - JRB	REVISED -
W:\Transportation\2891\Grading Plans\2891.dgn		DRAWN - TJD	REVISED -
PLOT SCALE = 100.0000' / IN.		CHECKED - JRB	REVISED -
PLOT DATE = 12/12/2012		DATE - 12-12-12	REVISED -

STATE OF ILLINOIS  
DEPARTMENT OF TRANSPORTATION

FAP 407 (IL RTE 336)  
FLAT SLAB TOP AND WILDLIFE EXIT DETAILS

SCALE: N/A SHEET NO. 1 OF 1 SHEETS STA. TO STA.

F.A.P. RTE.	SECTION	COUNTY	TOTAL SHEETS	SHEET NO.
407	(55-3)A	MCDONOUGH	671	309
			CONTRACT NO. 68A42	
ILLINOIS FED. AID PROJECT				