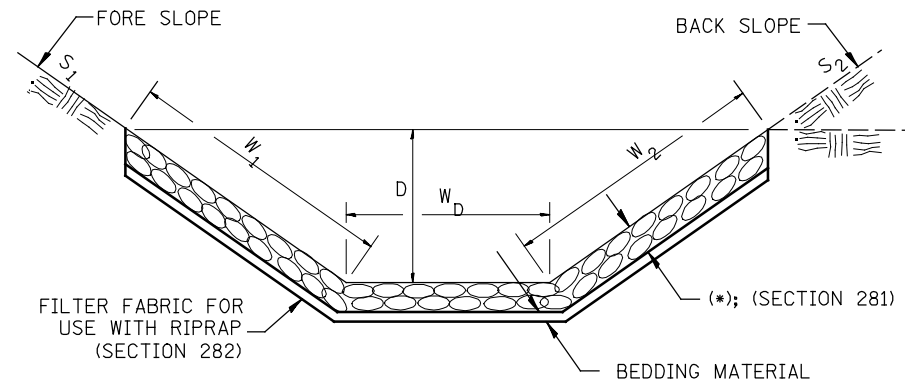


Designer NOTES:
 1. Designer to modify this Special Detail Sheet, as needed for inclusion in plans.
 2. (*) Designer to specify pay item including material, quality, and gradation.
 3. Include District Special Provision if needed.

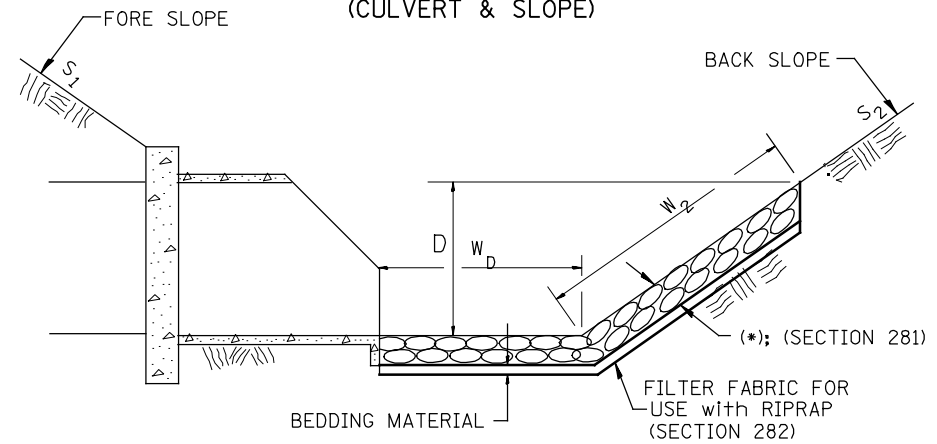
CASE 1
(DITCH)



(*)				
LOCATION	WIDTH (1)	LENGTH	RIPRAP	FABRIC
STA TO STA	lin ft (m)	lin ft (m)	tons (m tons)	sq yds (m ²)
SEE SCHEDULES OF QUANTITIES				
TOTAL				

(1) WIDTH = $W_1 + W_2 + W_D$

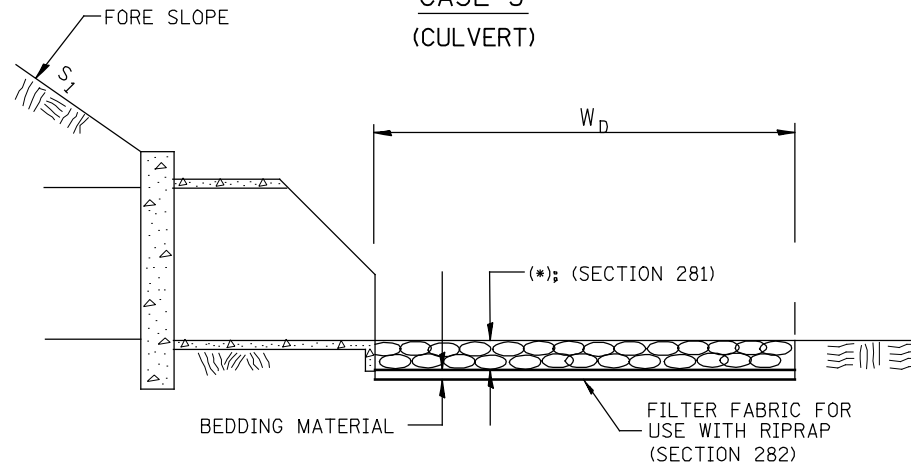
CASE 2
(CULVERT & SLOPE)



(*)				
LOCATION	WIDTH (1)	LENGTH	RIPRAP	FABRIC
STA TO STA	lin ft (m)	lin ft (m)	tons (m tons)	sq yds (m ²)
SEE SCHEDULES OF QUANTITIES				
TOTAL				

(1) WIDTH = $W_2 + W_D$

CASE 3
(CULVERT)



(*)				
LOCATION	WIDTH (1)	LENGTH	RIPRAP	FABRIC
STA TO STA	lin ft (m)	lin ft (m)	tons (m tons)	sq yds (m ²)
SEE SCHEDULES OF QUANTITIES				
TOTAL				

(1) WIDTH = W_D

All slope ratios are expressed as units of vertical displacement to units of horizontal displacement (V:H).
 All dimensions are in inches (millimeters) unless otherwise noted.

1-1-97	RENUM. A-12.02, NEW REVISION BOX	T.P.
12-1-97	CORRECT FILTER FABRIC LEADER ARROW	J.A.
10-16-06	REVISED TO 2007 SPEC.	M.A.
9-6-12	REMOVED A DESIGNER NOTE AND MADE MINOR CHANGES	R.D.

STATE OF ILLINOIS
DEPARTMENT OF TRANSPORTATION

RIPRAP DITCH FOR EROSION PROTECTION

NOT TO SCALE

CADD STD. 281001-D4

F.A.P. RTE.	SECTION	COUNTY	TOTAL SHEETS	SHEET NO.
407	(55-3)A	MCDONOUGH	671	314
FED. ROAD DIST. NO. ILLINOIS FED. AID PROJECT			CONTRACT NO. 68A42	