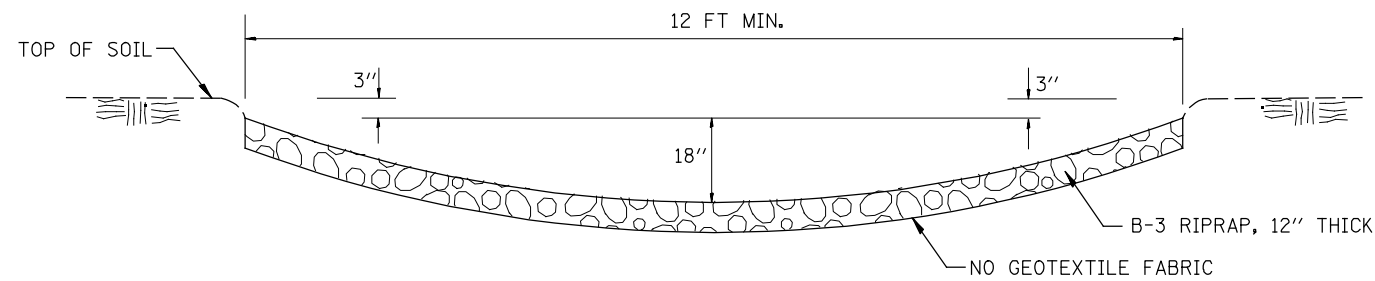


DESIGNER NOTES:
 1. Consider use on back and foreslopes greater than 35' tall.
 2. Discuss use with Geotech Engineer and Project Engineer.
 3. Foreslope and backslope ratios may be changed to fit conditions.
 4. Install section B-B outlets every 300' +/- depending on terrain.

SECTION A-A

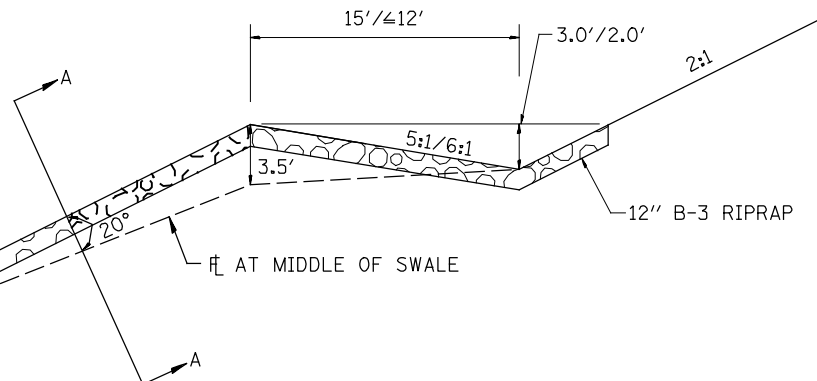


SECTION B-B

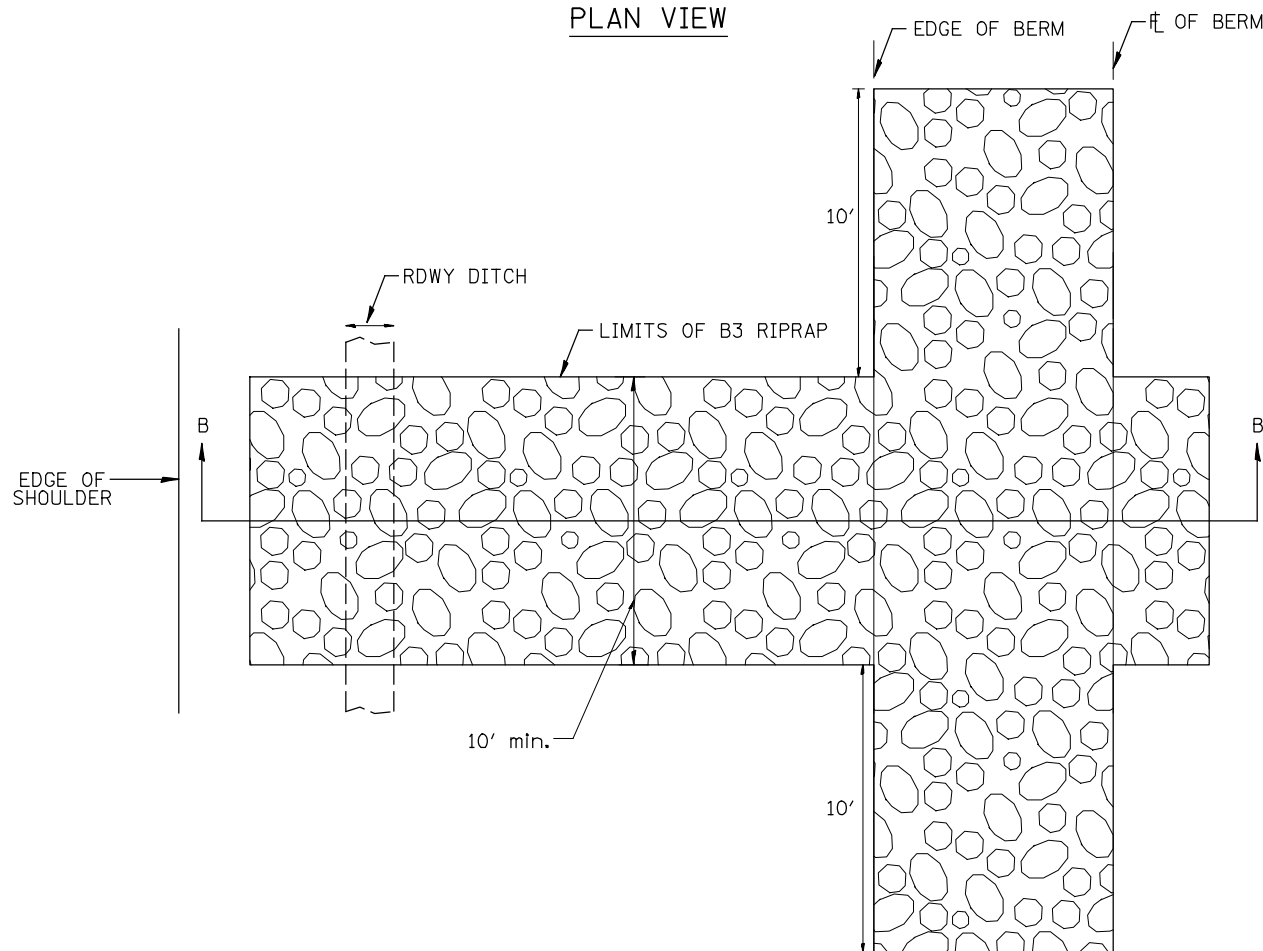
EDGE OF SHOULDER

2' min. depth on fore slope

2:1



PLAN VIEW



NOTES:

1. This work shall be performed in accordance with Section 281 of the Standard Specifications and will be paid for as STONE RIPRAP, CLASS B3.
2. When berm width is 15', use a 5:1 slope and 3' minimum depth. When berm width is $\leq 12'$, use a 6:1 slope and 2' minimum depth.
3. No bedding material is required.

All slope ratios are expressed as units of vertical displacement to units of horizontal displacement (V:H).
 All dimensions are in inches (millimeters) unless otherwise noted.

| | | | | | |
|---------|------------------|------|--|--|--|
| 8-21-12 | CREATED NEW STD. | R.D. | | | |
| | | | | | |
| | | | | | |

STATE OF ILLINOIS
 DEPARTMENT OF TRANSPORTATION

SLOPE BERMS AND DRAINAGE WAYS

NOT TO SCALE

CADD STD. 281002-D4

| F.A.P. RTE. | SECTION | COUNTY | TOTAL SHEETS | SHEET NO. |
|---|---------|-----------|--------------------|-----------|
| 407 | (55-3)A | MCDONOUGH | 671 | 315 |
| FED. ROAD DIST. NO. ILLINOIS FED. AID PROJECT | | | CONTRACT NO. 68A42 | |