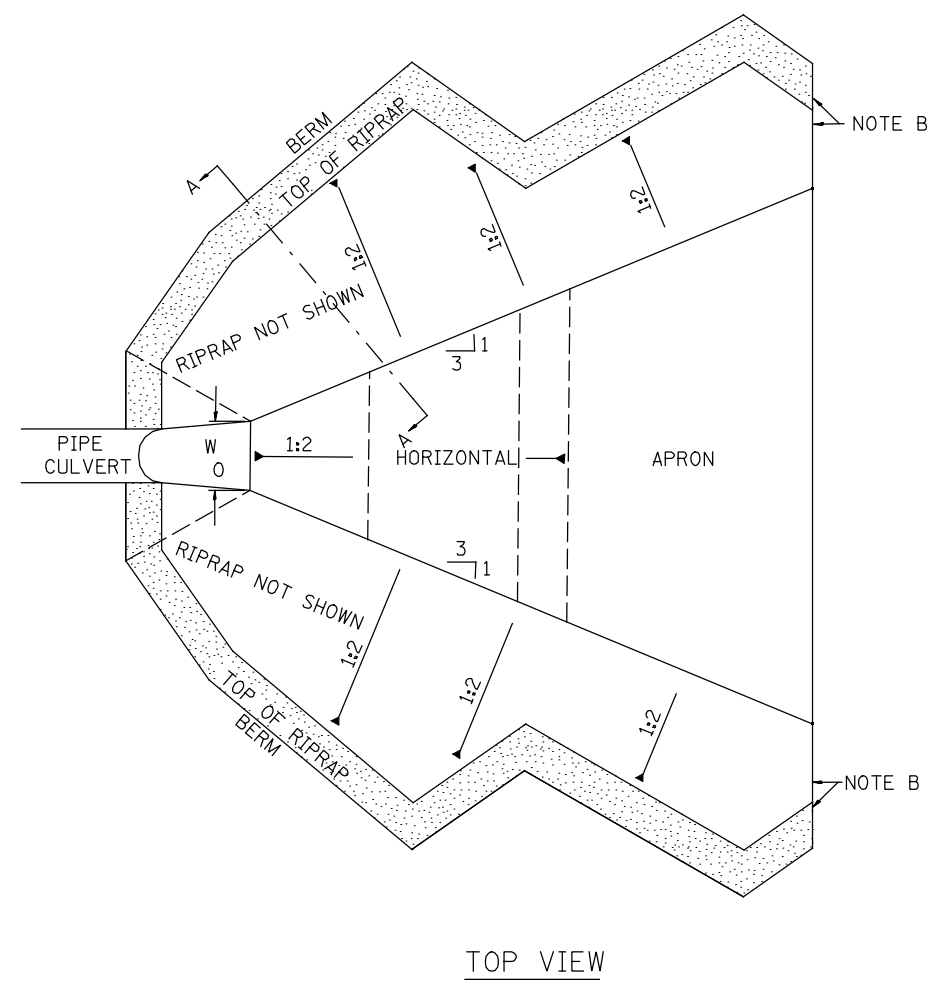
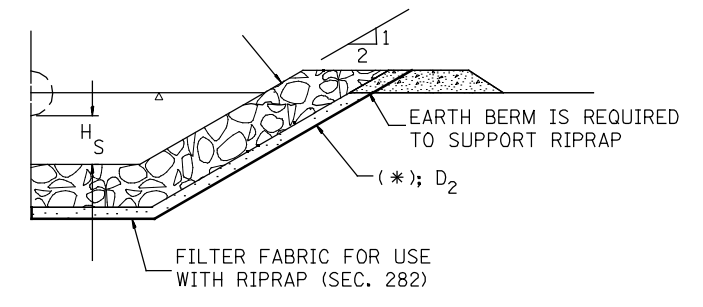
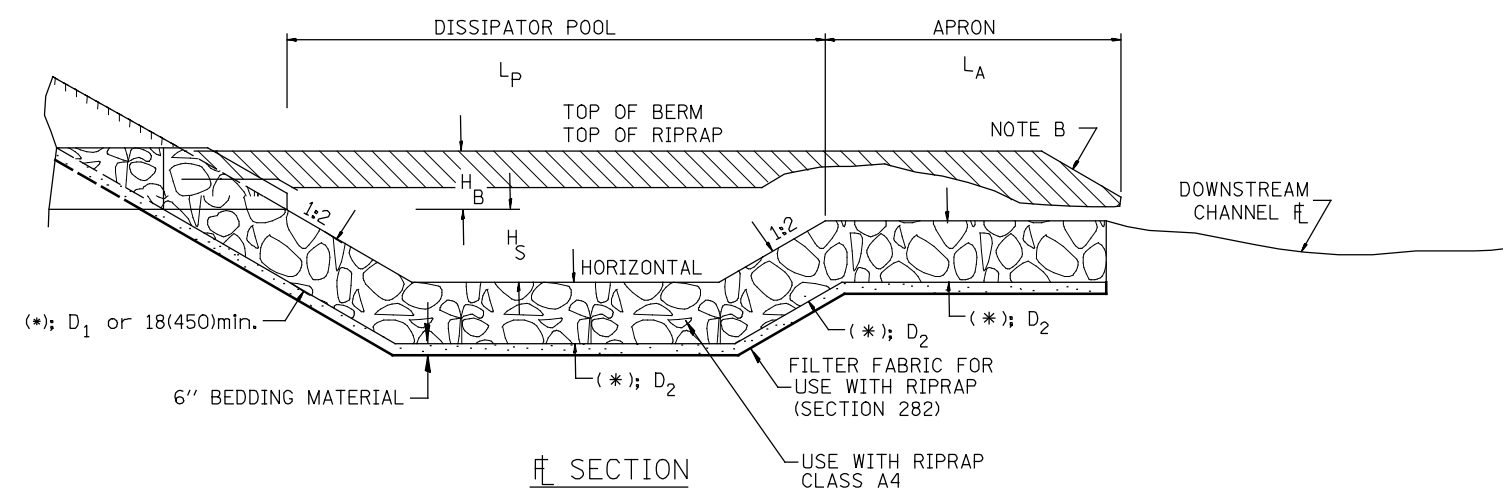


Designer NOTES:  
 1. Designer to modify this Special Detail Sheet, as needed for inclusion in plans.  
 2. (\*) Designer to specify pay item including material, quality, and gradation.  
 3. (\*\*) Designer to specify thickness of bedding material.  
 4. Include District Special Provision if needed.



STATION	W <sub>0</sub>	L <sub>P</sub>	L <sub>A</sub>	H <sub>S</sub>	H <sub>B</sub>	D <sub>1</sub>	D <sub>2</sub>	D <sub>3</sub>
659+10	27.0'	36.0'	61.2'	1.2'	3.0'	22"	22"	22"
665+90	20.4'	35.5'	40.3'	2.4'	1.7'	22"	22"	22"
676+15	8.4'	12.4'	15.6'	0.7'	2.8'	22"	22"	22"
679+00	20.5'	32.0'	43.7'	1.5'	4.0'	22"	22"	22"
702+70	8.0'	20.0'	24.0'	0.8'	4.9'	22"	22"	22"
779+70	18.1'	23.9'	41.5'	1.5'	2.9'	22"	22"	22"
820+00	23.5'	32.0'	0	2.8'	2.8'	22"	22"	22"
827+60	23.5'	33.2'	0	1.9'	1.3'	22"	22"	22"
5028+10	8.0'	64.3'	0	0.5'	6.0'	22"	22"	22"

NOTE B: WARP BASIN TO CONFORM TO NATURAL STREAM CHANNEL

All slope ratios are expressed as units of vertical displacement to units of horizontal displacement (V:H).  
 All dimensions are in inches (millimeters) unless otherwise noted.