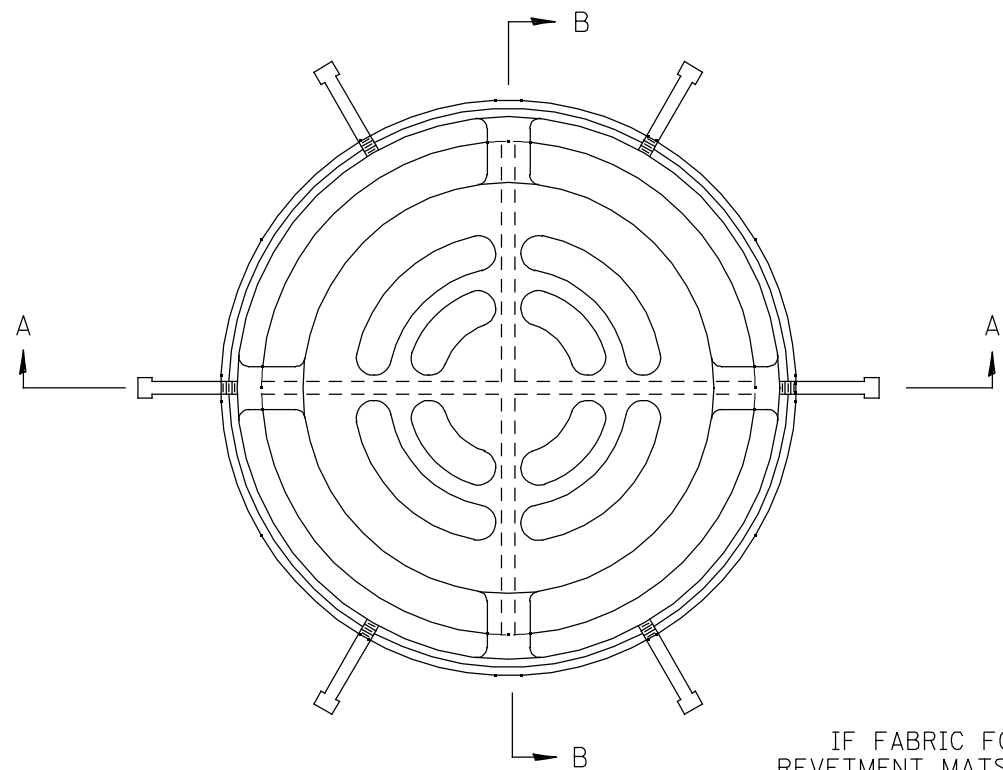
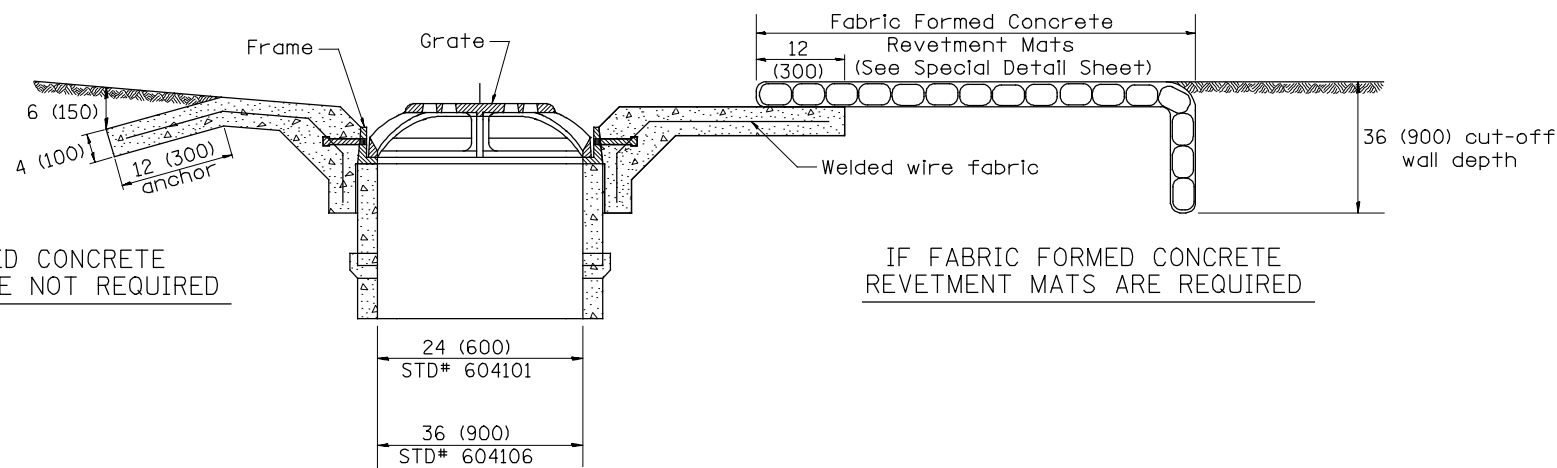


Designer Notes: 1. This is to be used to supplement Standard 604101 and/or 604106.  
 2. If fabric formed concrete revetment mats are used, include District CADD drawing.  
 3. Include District Special Provision.



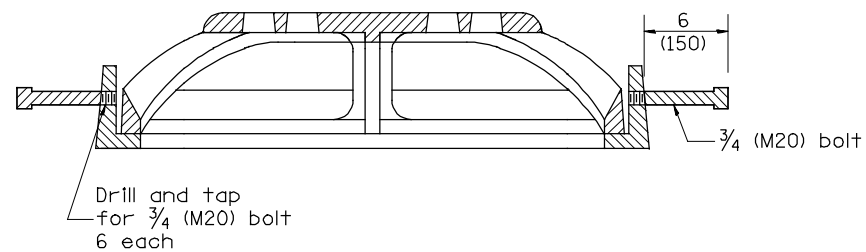
PLAN  
(STD# 604101 & 604106)



IF FABRIC FORMED CONCRETE  
REVTMENT MATS ARE NOT REQUIRED

IF FABRIC FORMED CONCRETE  
REVTMENT MATS ARE REQUIRED

SECTION B-B  
(STD# 604101 & 604106)



SECTION A-A  
(STD# 604101 & 604106)

GENERAL NOTES

- The applicable portions of Highway Standards 604101 and/or 604106 shall apply, except as noted herein.

All dimensions are in inches (millimeters) unless otherwise noted.

|          |  |      |  |  |
|----------|--|------|--|--|
| 01-01-97 | RENUM. B-4.09, NEW REVISION BOX, REVISED | T.P. |  |  |
|          | DESIGNER NOTES                           |      |  |  |
| 10-16-06 | REVISED TO 2007 SPEC.                    | M.A. |  |  |

STATE OF ILLINOIS  
DEPARTMENT OF TRANSPORTATION

MEDIA INLET (604101), SPECIAL AND  
MEDIA INLET (604106), SPECIAL

NOT TO SCALE

CADD STD. 604101-D4

| F.A.P. RTE.               | SECTION | COUNTY    | TOTAL SHEETS | SHEET NO. |
|---------------------------|---------|-----------|--------------|-----------|
| 407                       | (55-3)A | MCDONOUGH | 671          | 323       |
| FED. ROAD DIST. NO.       |         |           | CONTRACT NO. |           |
| ILLINOIS FED. AID PROJECT |         |           |              |           |