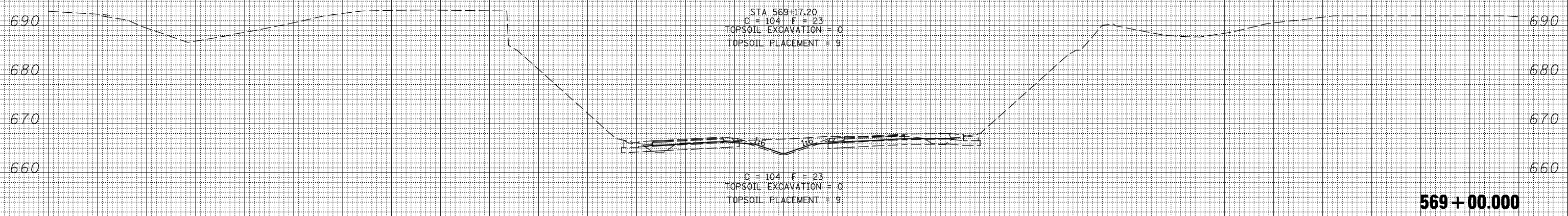
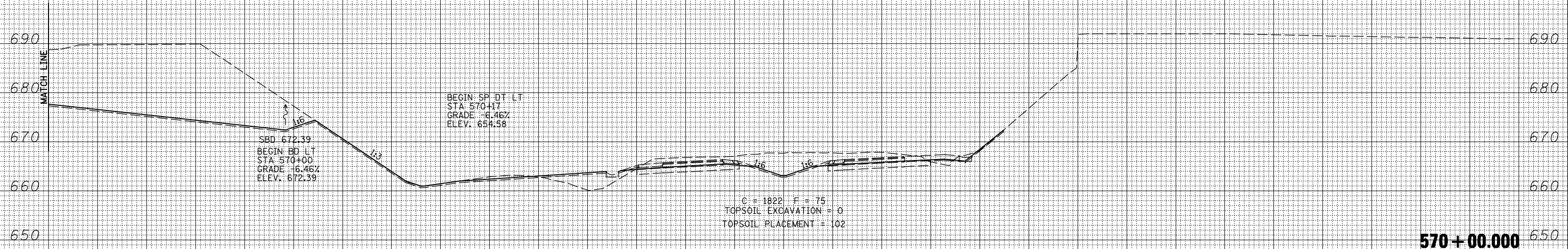


300 280 260 240 220 200 180 160 140 120 100 80 60 40 20 0 20 40 60 80 100 120 140 160 180 200 220 240 260 280 300

DATE	
BY	
FINL SURVEY	SURVEYED
NOTE BOOK	PLOTTED
NO.	TEMPLATE
	AREAS CHECKED

DATE	
BY	
ORIGINAL SURVEY	SURVEYED
NOTE BOOK	PLOTTED
NO.	TEMPLATE
	AREAS CHECKED



300 280 260 240 220 200 180 160 140 120 100 80 60 40 20 0 20 40 60 80 100 120 140 160 180 200 220 240 260 280 300

FILE NAME =	USER NAME = jdeen	DESIGNED - JRB	REVISED -
V:\Transportation\2891\Grading Plans\2891xsheets-20\SCALE.dgn		DRAWN - TJD	REVISED -
		CHECKED - AWM	REVISED -
		DATE - 12-12-12	REVISED -

**STATE OF ILLINOIS
DEPARTMENT OF TRANSPORTATION**

FAP ROUTE 407 (IL RTE 336)		CROSS SECTIONS	
SCALE: 1"=20' H 1"=10' V	SHEET NO. 12 OF 176 SHEETS	STA. 569+00.000 TO STA. 570+00.000	

F.A.P. RTE.	SECTION	COUNTY	TOTAL SHEETS	SHEET NO.
407	(55-3)A	MCDONOUGH	671	342
			CONTRACT NO.	68A42