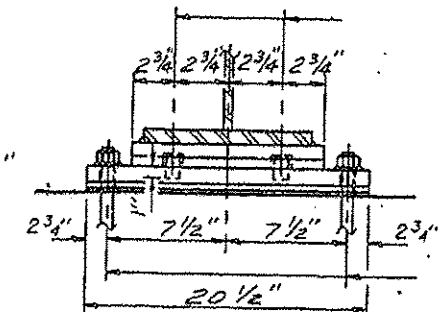
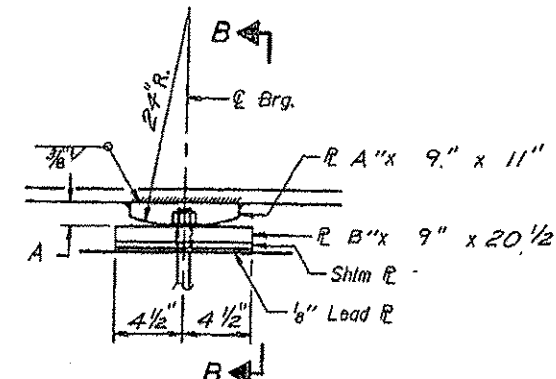
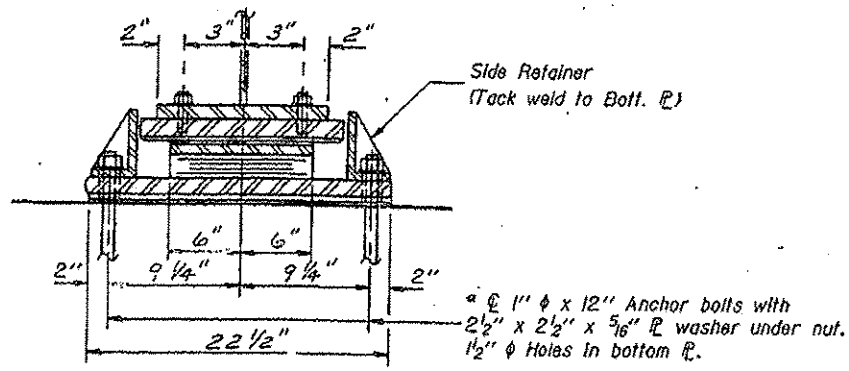
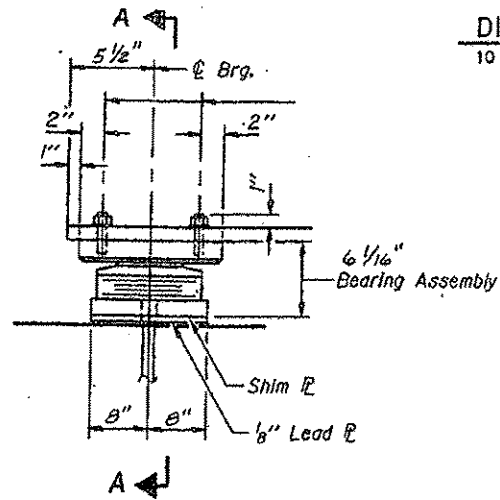
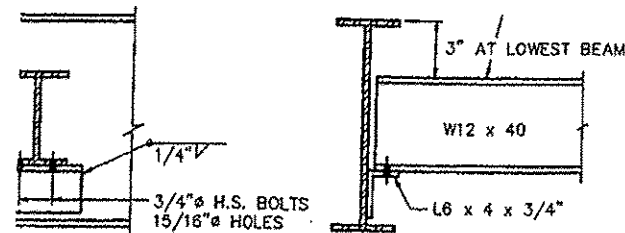
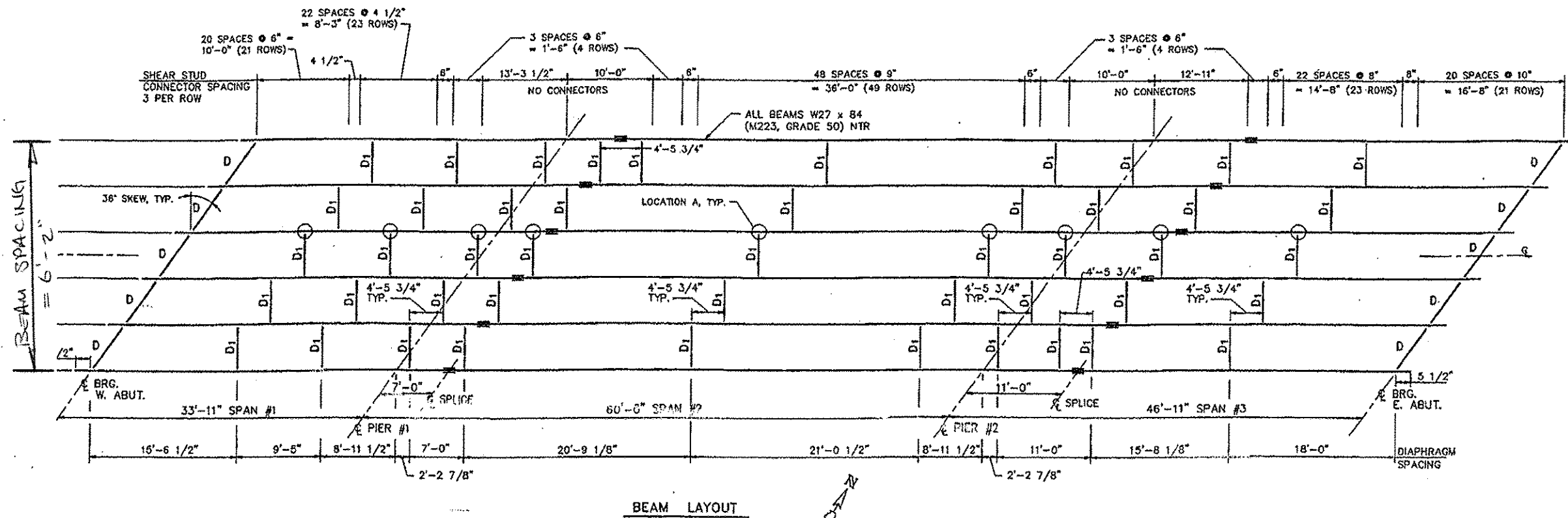


LOCATION 5 S.N. 036-0045 INFORMATION ONLY



FILE NAME March 2813 Metalize.dgn	USER NAME DEFAULT	DESIGNED ---	REVISED ---	STATE OF ILLINOIS DEPARTMENT OF TRANSPORTATION	LOCATION 5 FRAMING PLAN - INFORMATION ONLY	SCALE: SHEET _____ OF _____ SHEETS	STA. _____ TO STA. _____	TOTAL SHEETS 20	SHEET NO. 14
PLOT SCALE 0.8211" = 1'				CONTRACT NO. 68825		ILLINOIS FED. AID PROJECT			