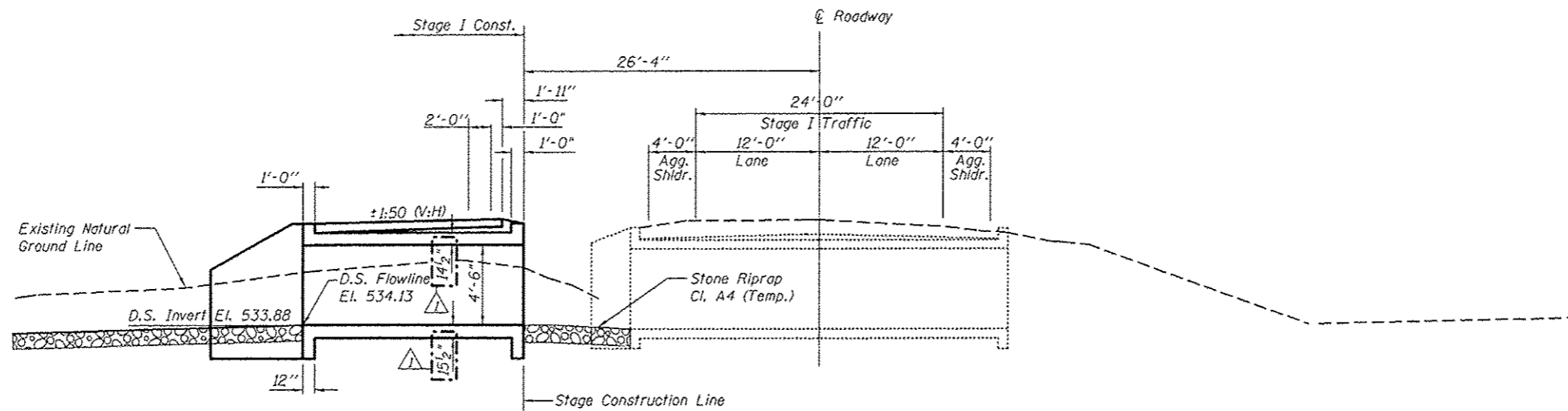
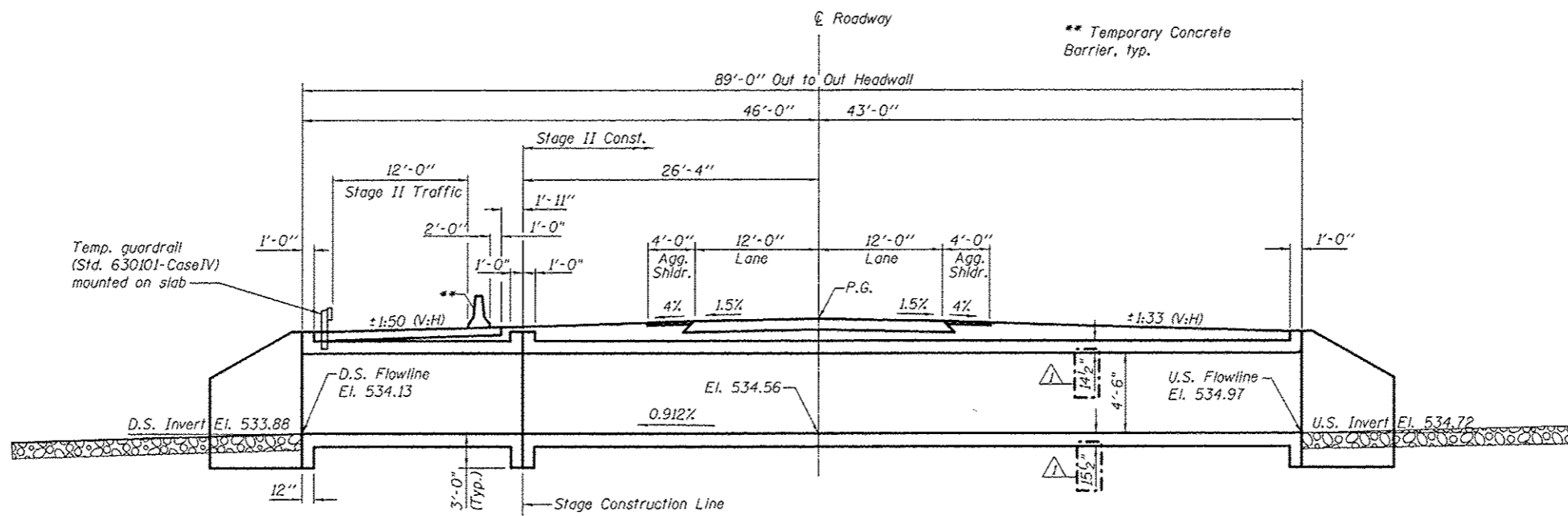


STATE OF ILLINOIS
DEPARTMENT OF TRANSPORTATION



STAGE I TRAFFIC AND CONSTRUCTION

(Looking Eastbound)
Dimensions are at right angles to CL roadway



STAGE II TRAFFIC AND CONSTRUCTION

(Looking Eastbound)
Dimensions are at right angles to CL roadway



USER NAME: *USER*
PLOT SCALE: *SCALE*
PLOT DATE: *DATE*

DESIGNED: BLM
DRAWN: TJR
CHECKED: JEK
DATE: 02-04-2013

REVISED: 2/21/2013 TJR
REVISED
REVISED
REVISED

STATE OF ILLINOIS
DEPARTMENT OF TRANSPORTATION

CONSTRUCTION STAGING DETAILS
STRUCTURE NO. 034-2527

SCALE: NTS SHEET 3 OF 9 SHEETS STA. 146+92.00

F.A.P. RTE.	SECTION	COUNTY	TOTAL SHEETS	SHEET NO.
685	113 (B-4)	HANCOCK	62	39
CONTRACT NO. 72B62				
ILLINOIS FED. AID PROJECT				