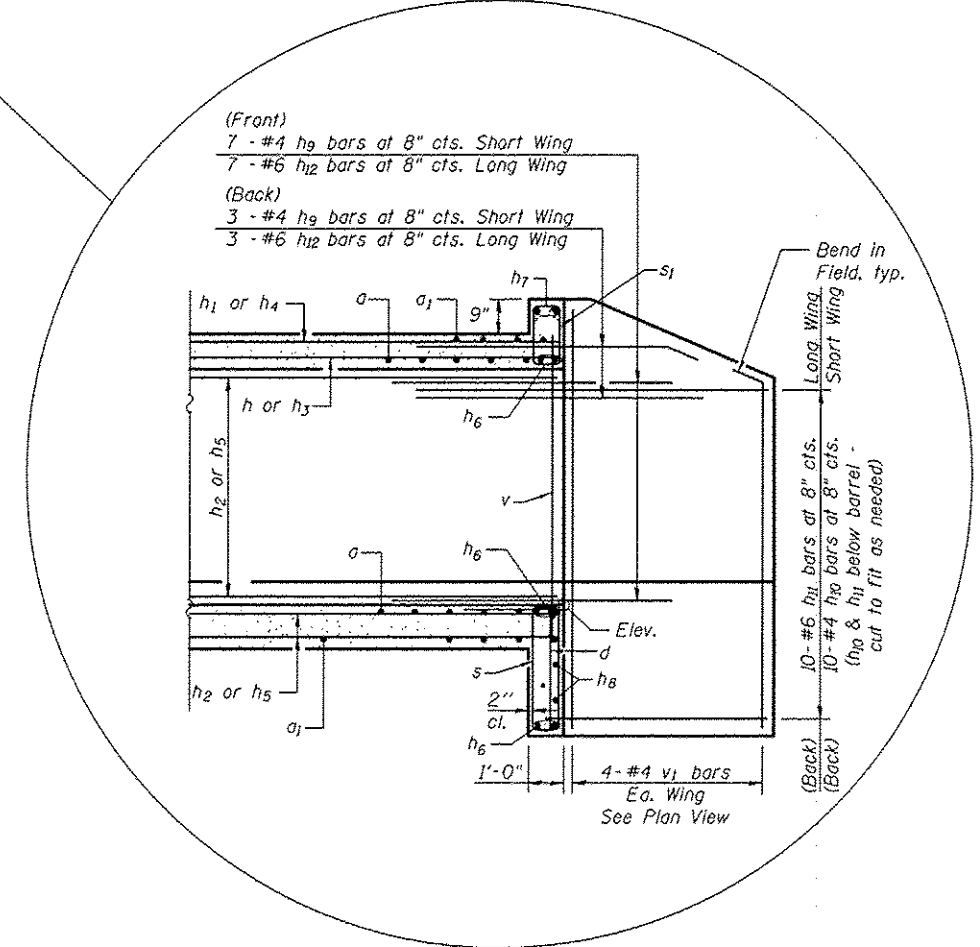
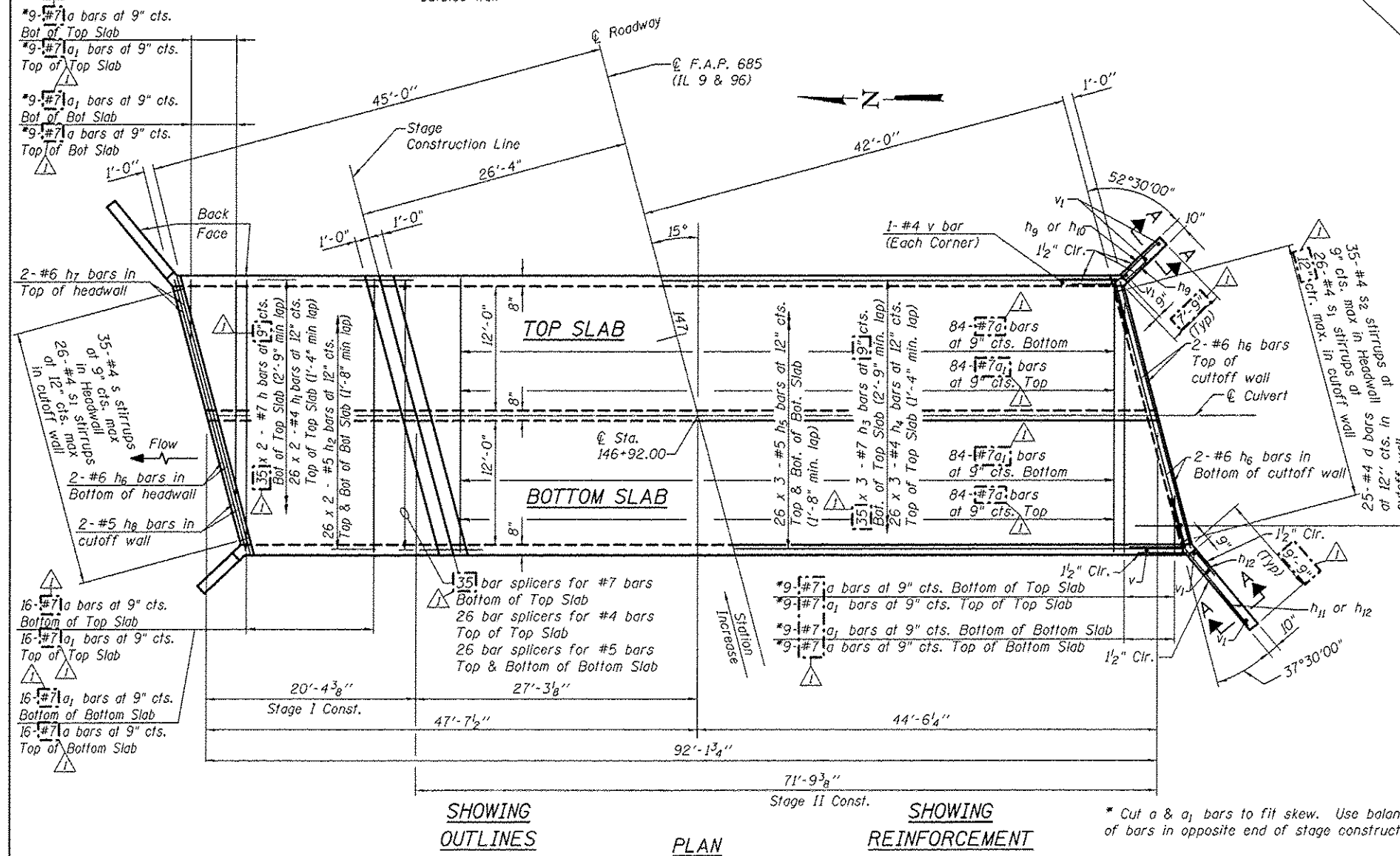
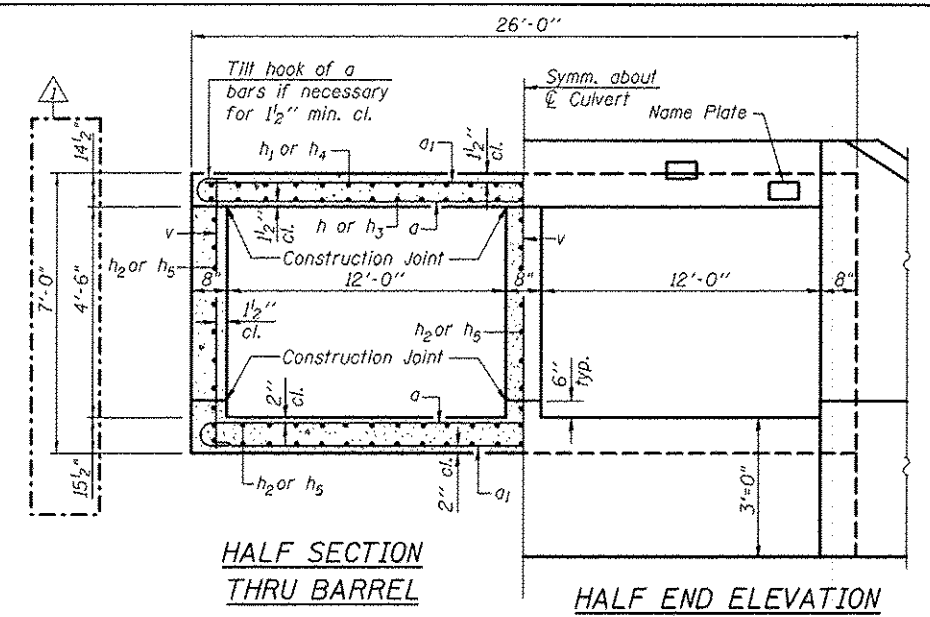
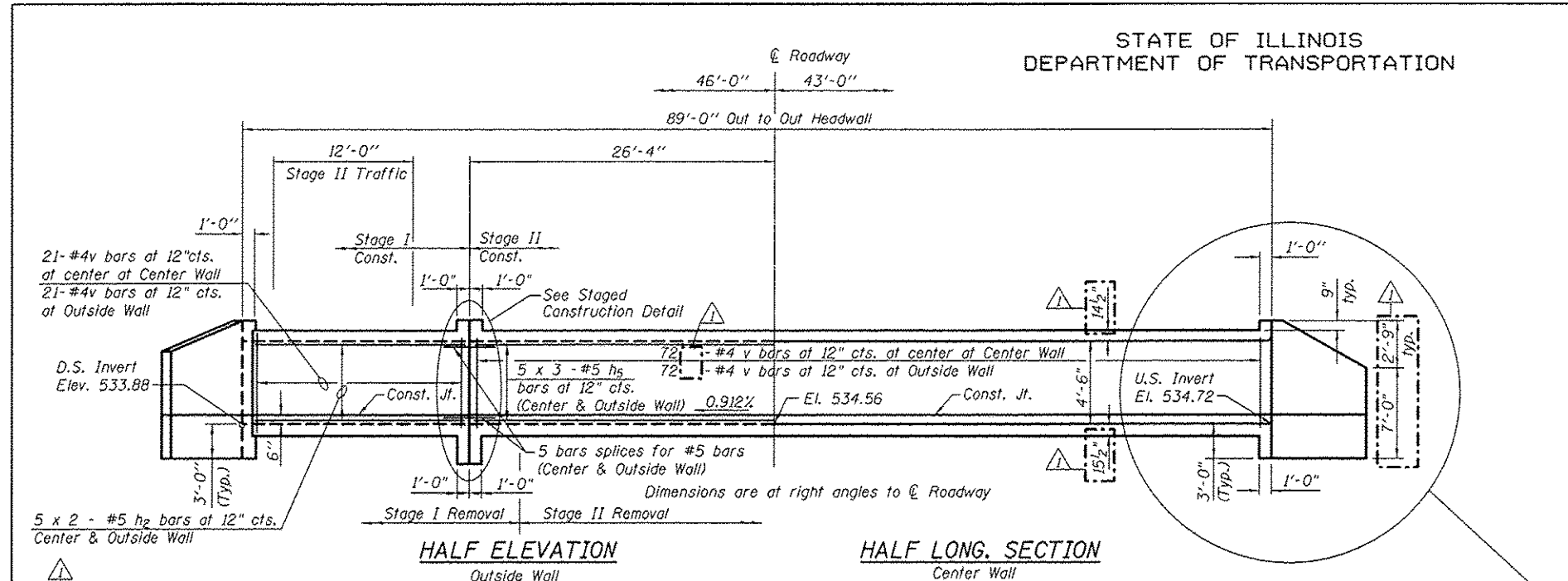


STATE OF ILLINOIS  
DEPARTMENT OF TRANSPORTATION



\* Cut a & a1 bars to fit skew. Use balance of bars in opposite end of stage construction

<b>THE VOLKERT/DMA</b> <small>Joint Venture</small>	USER NAME • USER •	DESIGNED BLM	REVISED $\Delta$ 2/21/2013 TJR	<b>STATE OF ILLINOIS</b> <b>DEPARTMENT OF TRANSPORTATION</b>	<b>CULVERT DETAILS</b> <b>STRUCTURE NO. 034-2527</b>		F.A.P. RTE.	SECTION	COUNTY	TOTAL SHEETS	SHEET NO.
	PLOT SCALE • SCALE •	DRAWN TJR	REVISED		685	113 (B-4)	HANCOCK	62	40		
	PLOT DATE • DATE •	CHECKED JEK	REVISED		SCALE: NTS		SHEET 4 OF 9 SHEETS	STA. 146+92.00	CONTRACT NO. 72B62		
		DATE 02-04-2013	REVISED		ILLINOIS FED. AID PROJECT						