

TYPICAL TANGENT SECTION

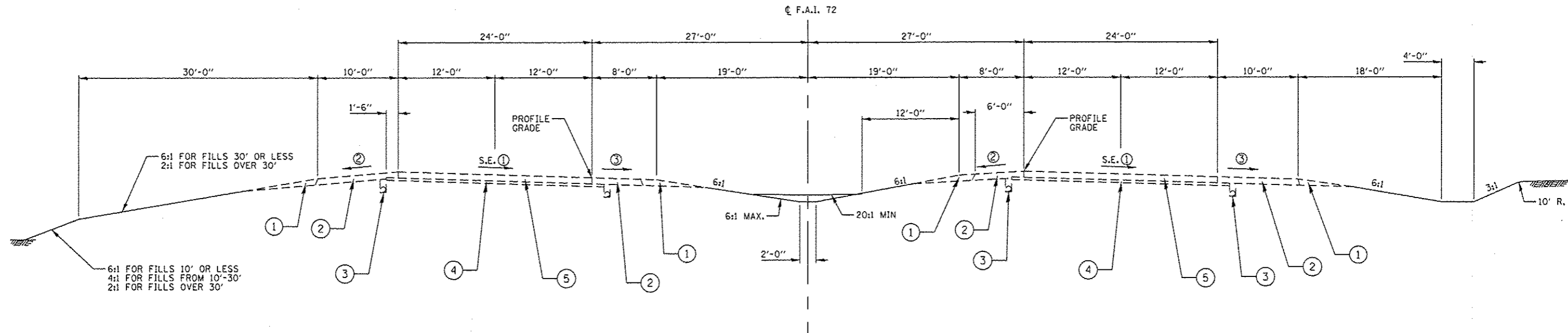
EXISTING NOTES

- SEE STANDARD 2237 FOR ADDITIONAL SHOULDER DETAIL
- LT. 24' P.C. CONC. PAVM'T IS NOW EXISTING FROM STA. 5+00 (N.W.) AHEAD. RT. 24' P.C. CONC. PAVM'T IS EXISTING FROM STA 76+00 (N.W.) AHEAD

STA. 0+00.20 TO STA. 19+77.74 (F.A.I. 72 N.W.)
 STA. 48+03.02 TO STA. 76+00.00 (F.A.I. 72 N.W.)
 STA. 999+99.80 TO STA. 1024+61.86 (F.A.I. 72 S.E.)
 STA. 1092+00.00 TO STA. 1192+26.60
 STA. 1228+40.11 TO STA. 1243+82.01
 STA. 1273+64.89 TO STA. 1375+00

OMISSIONS

STA. 1071+59.32 TO 1073+10.68
 STA. 1215+30.54 TO 1220+09.45
 STA. 1232+14.65 TO 1236+27.35



TYPICAL SUPERELEVATED SECTION

LEGEND

- ① EXISTING AGG. SHOULDER, TY B
- ② EXISTING BIT. SHOULDERS 9"
- ③ EXISTING PIPE UNDERDRAIN, 4"
- ④ EXISTING STABILIZED SUB-BASE, 4"
- ⑤ EXISTING C.R.P.C CONCRETE PAVEMENT, 9"

STA. 19+77.74 TO STA. 48+03.02 (F.A.I. 72 N.W.)
 STA. 1192+26.60 TO STA. 1228+40.11
 STA. 1243+82.01 TO STA. 1273+64.89
 STA. 1365+32.76 TO STA. 1375+00.00

SUPERELEVATION TABLE (FT./FT.)		
PAVEMENT	SHOULDER	SHOULDER
①	②	③
0.0260	0.0417	0.0417
0.0330	0.0037	0.0471
0.0440	0.0260	0.0440
0.0600	0.0100	0.0600