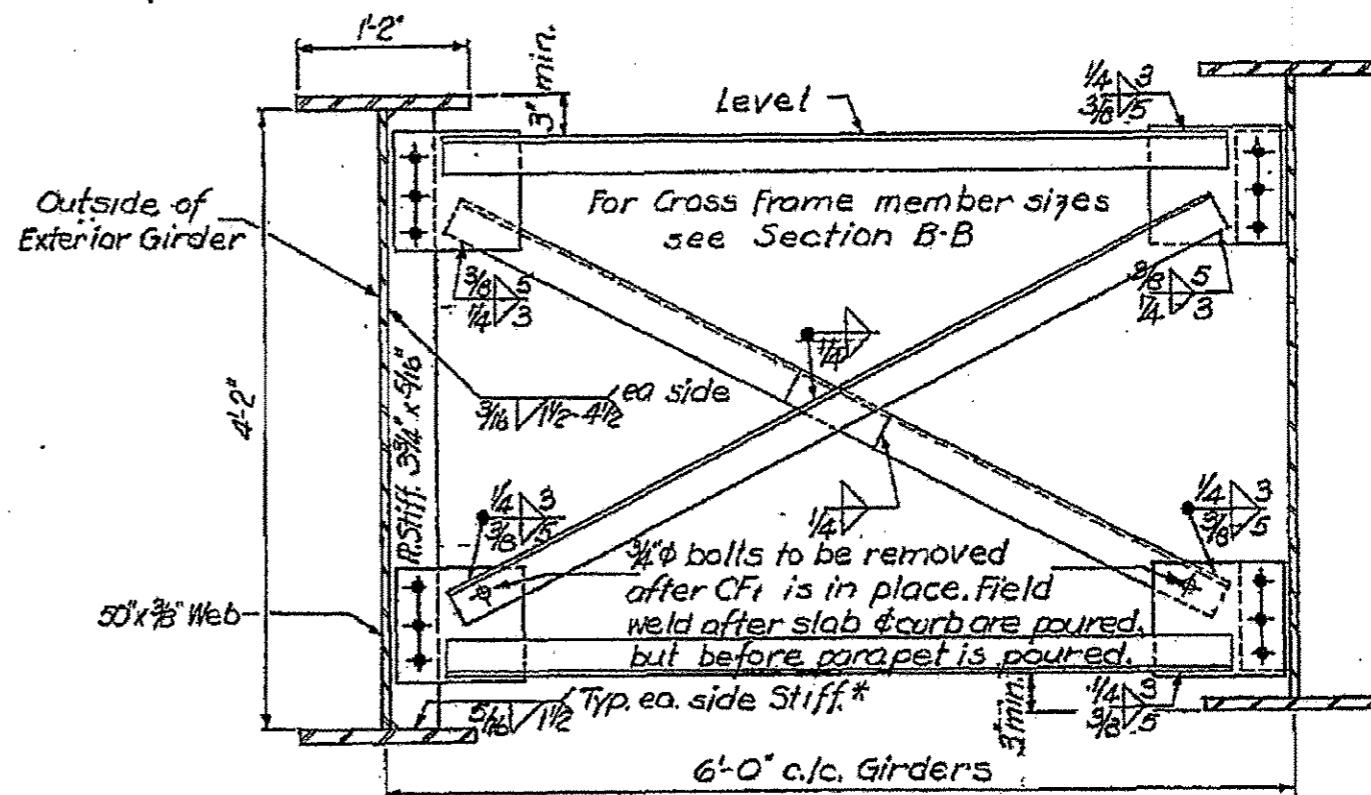


SECTION B-B
Showing Interior Girder & Cross Frame CF2



SECTION A-A
Showing Exterior Girder & Cross Frame CF1

STRUCTURE NO.084-002B

FOR INFORMATION ONLY

FILE NAME *	USER NAME * mcdonalds	DESIGNED -	REVISED -	STATE OF ILLINOIS DEPARTMENT OF TRANSPORTATION	EXISTING CROSSFRAME	F.A.I. RTE.	SECTION	COUNTY	TOTAL SHEETS	SHEET NO.	
ca\documents and settings\mcdonalds\de	ktop\plansheet.dgn	DRAWN -	REVISED -			55	DE PAINTING 2013	SANGAMON	26	8	
Default	PLT SCALE * 8.9898 1/1 in.	CHECKED -	REVISED -			CONTRACT NO. 72F85					
	PLT DATE * Nov-29-2012 8:13:88PM	DATE -	REVISED -			ILLINOIS FED. AID PROJECT					
					SCALE:	SHEET	OF	SHEETS	STA.	TO STA.	