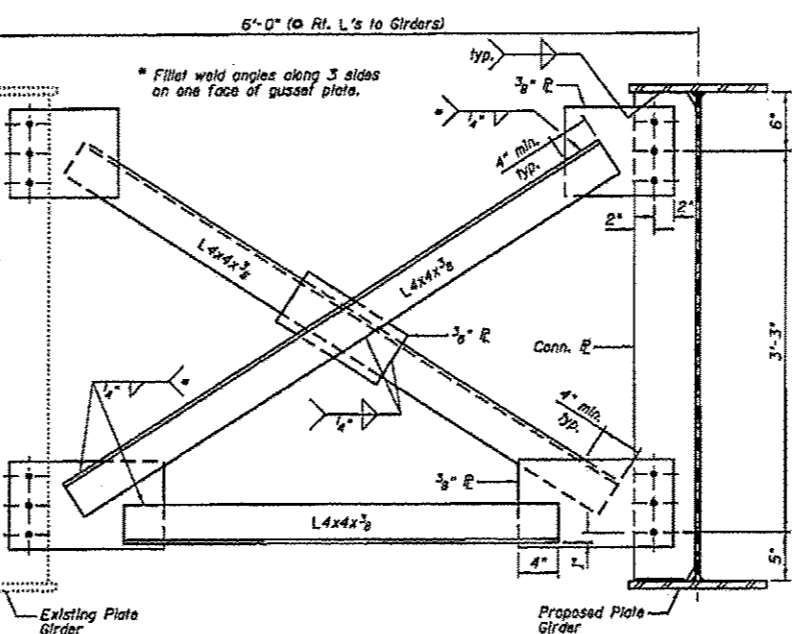


TYPICAL END CROSS FRAME AT SOUTH ABUTMENT - CF1
(5 - Required)

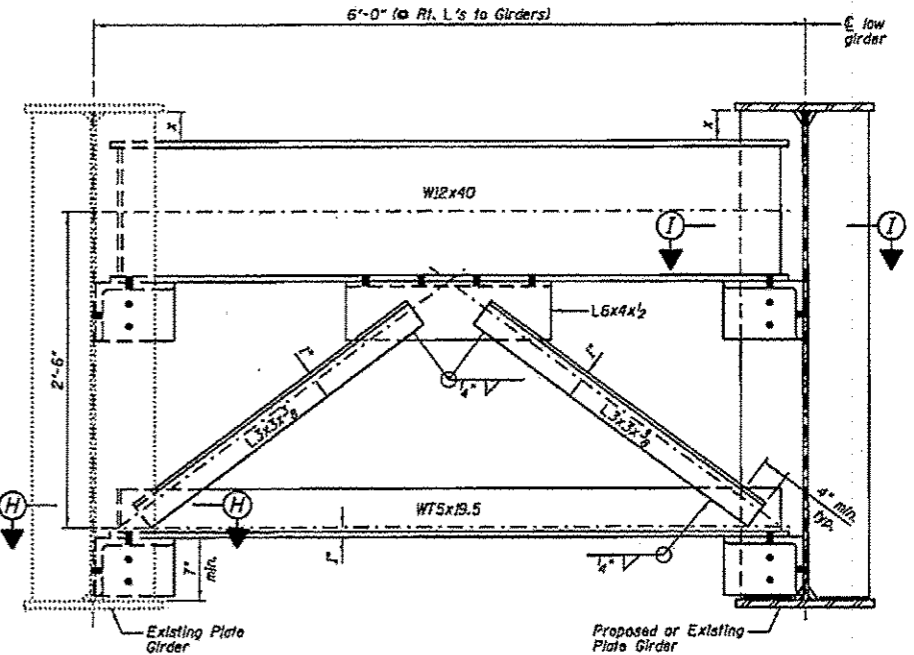
- Notes: 1.) Detail 5/8" φ holes for all 3/4" φ bolts.
2.) Two hardened washers shall be required for each set of oversized holes.
3.) Place diaphragm with projected legs outward from abutment backwall.
4.) Bearing Stiffeners shall be welded to flanges when used as cross frame Connection Plates.

Girder No.	"x" Dimension
1	5 1/2"
2	5 1/2"
3	5 1/2"
4	4 1/2"
5	4 1/2"
6	5 1/2"



TYPICAL INTERIOR CROSS FRAME - CF2 (CONNECTION "A")
(15 - Required)

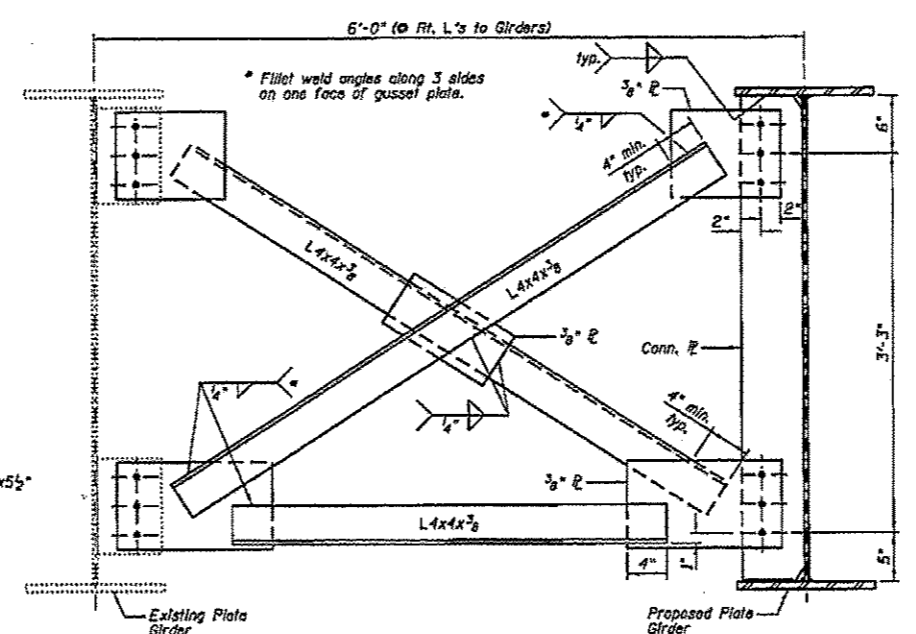
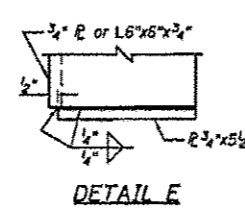
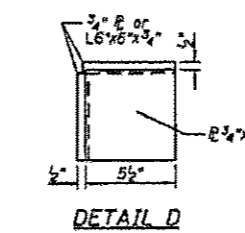
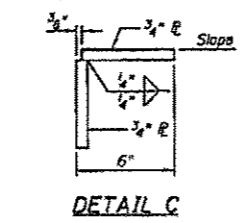
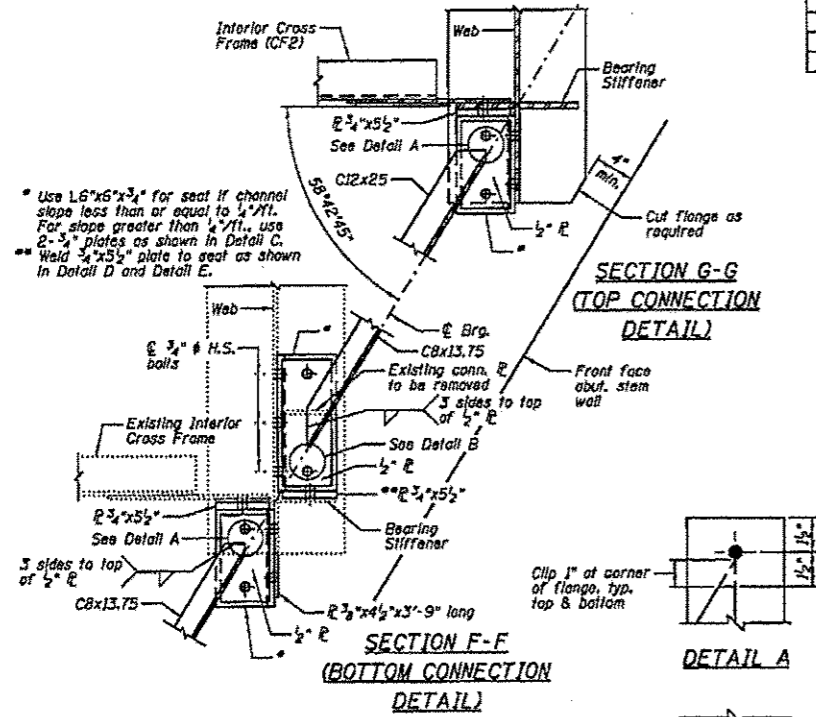
- Notes: 1.) See Sheet B9 for Cross Frame Connection "A" locations.
2.) Detail 5/8" φ holes for all 3/4" φ bolts.
3.) Two hardened washers shall be required for each set of oversized holes.
4.) For existing to proposed connection, match existing bolt holes. The Fabrication Contractor shall provide connection details for all existing to proposed connections per the existing shop drawings.



TYPICAL END CROSS FRAME AT NORTH ABUTMENT - CF3
(5 - Required)

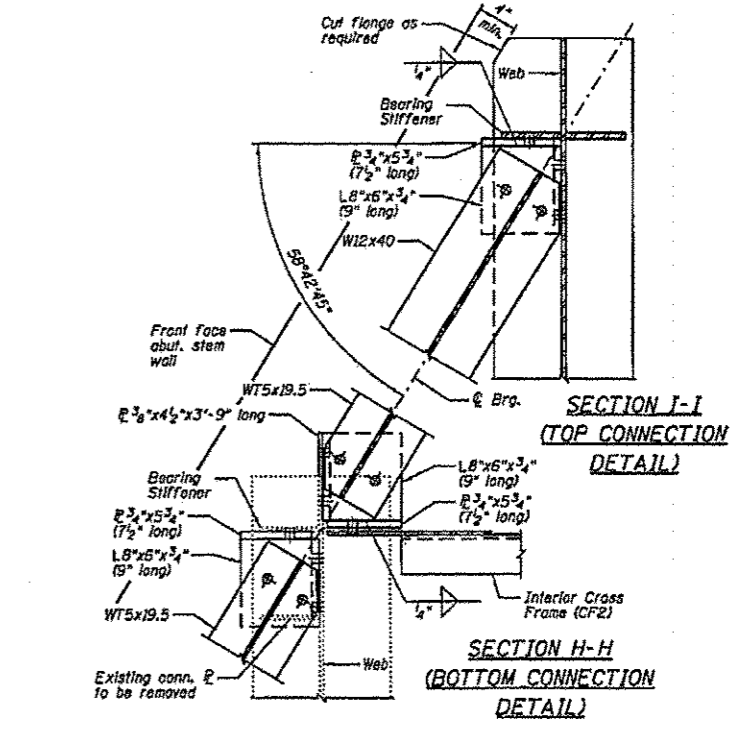
- Notes: 1.) Detail 5/8" φ holes for all 3/4" φ bolts.
2.) Two hardened washers shall be required for each set of oversized holes.

Girder No.	"x" Dimension
1	5 1/2"
2	5 1/2"
3	5 1/2"
4	5 1/2"
5	5 1/2"
6	5 1/2"



TYPICAL INTERIOR CROSS FRAME - CF2 (CONNECTION "B")
(15 - Required)

- Notes: 1.) See Sheet B9 for Cross Frame Connection "B" locations.
2.) Detail 5/8" φ holes for all 3/4" φ bolts.
3.) Two hardened washers shall be required for each set of oversized holes.
4.) For existing to proposed connection, match existing bolt holes. The Fabrication Contractor shall provide connection details for all existing to proposed connections per the existing shop drawings.



STRUCTURAL STEEL
STRUCTURE NO.084-0028

FOR INFORMATION ONLY

FILE NAME =	USER NAME = axdonaldr	DESIGNED =	REVISED =	STATE OF ILLINOIS DEPARTMENT OF TRANSPORTATION	STRUCTURAL STEEL	F.A.I. RTE.	SECTION	COUNTY	TOTAL SHEETS	SHEET NO.
ad:\documents and settings\axdonaldr\desktop\plansheet.dgn	top\plansheet.dgn	DRAWN =	REVISED =			55	06 PAINTING 2013	SANGAMON	25	10
Default	Default	CHECKED = 0.9878 / 1h	REVISED =			SCALE: SHEET OF SHEETS STA. TO STA.		CONTRACT NO. 72F85		ILLINOIS FED. AID PROJECT
		PLLOT DATE = Nov-28-2012 9:12:43PM	REVISED =							