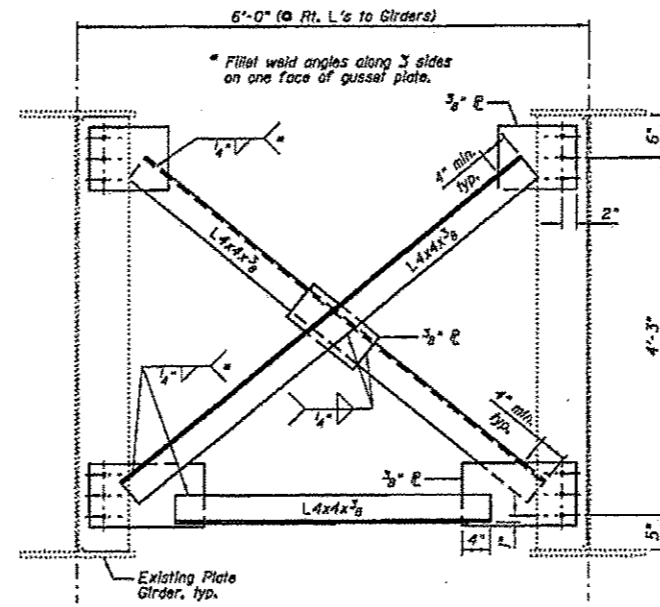


TYPICAL END CROSS FRAME AT WEST ABUTMENT - CF1
(5 - Required)

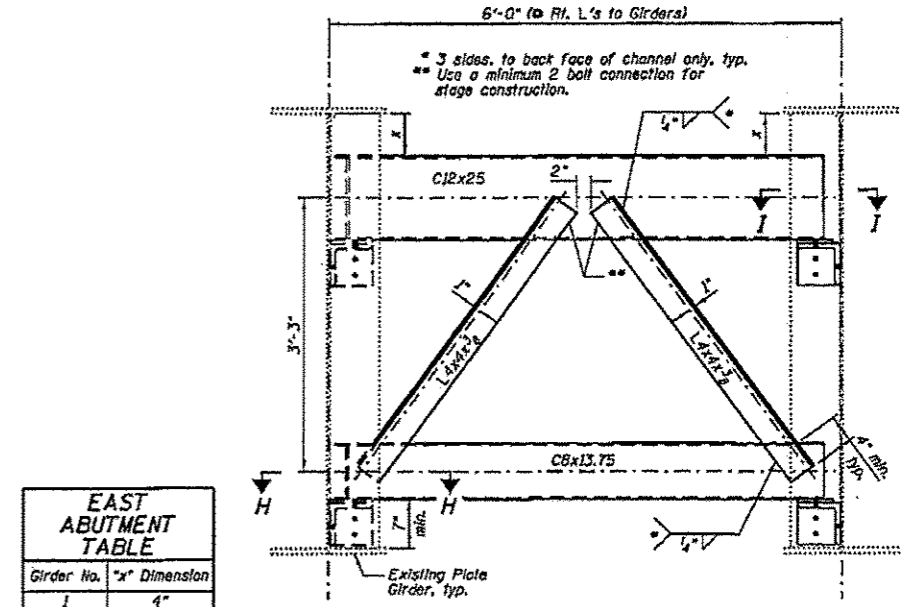
Notes: 1.) Detail $\frac{5}{8}$ " ϕ holes for all $\frac{3}{4}$ " ϕ bolts.
2.) Two hardened washers shall be required for each set of oversized holes.

WEST ABUTMENT TABLE	
Girder No.	"x" Dimension
1	4'-8"
2	4'-8"
3	4'-8"
4	4'-8"
5	5'-8"
6	5'-8"



TYPICAL INTERIOR CROSS FRAME - CF2 (CONNECTION "A")
(9 - Required)

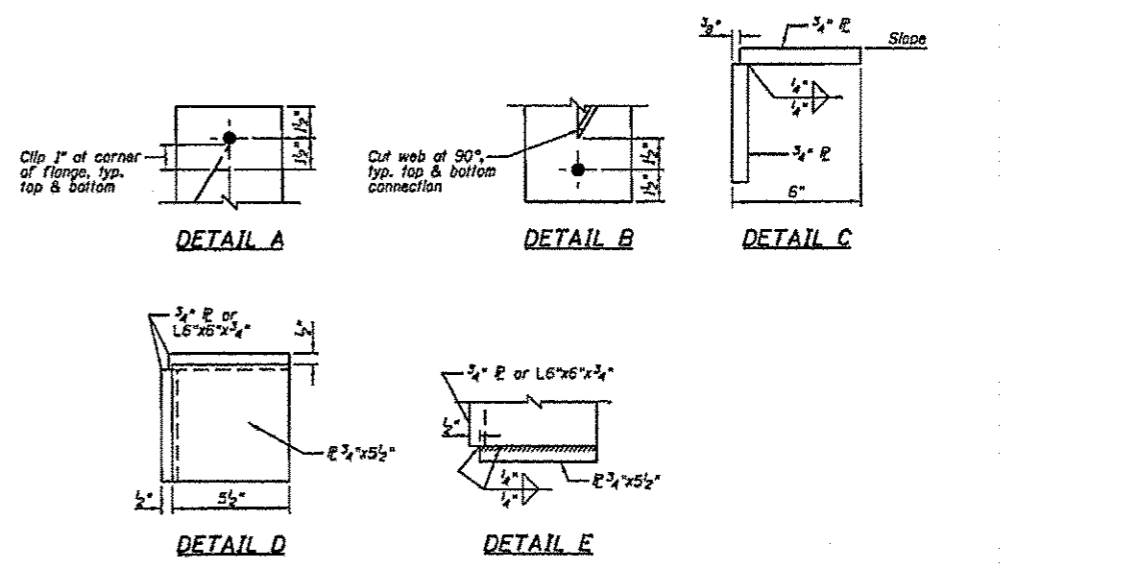
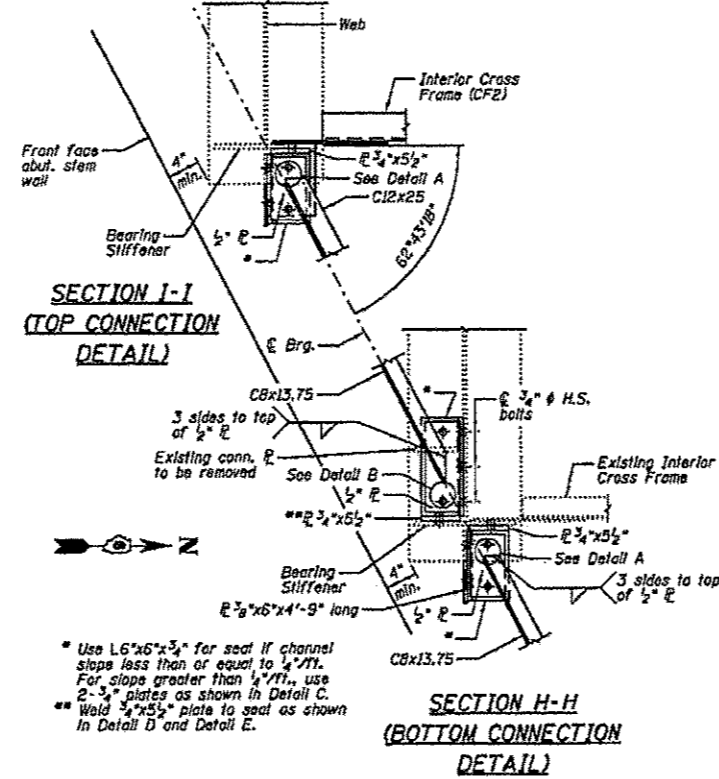
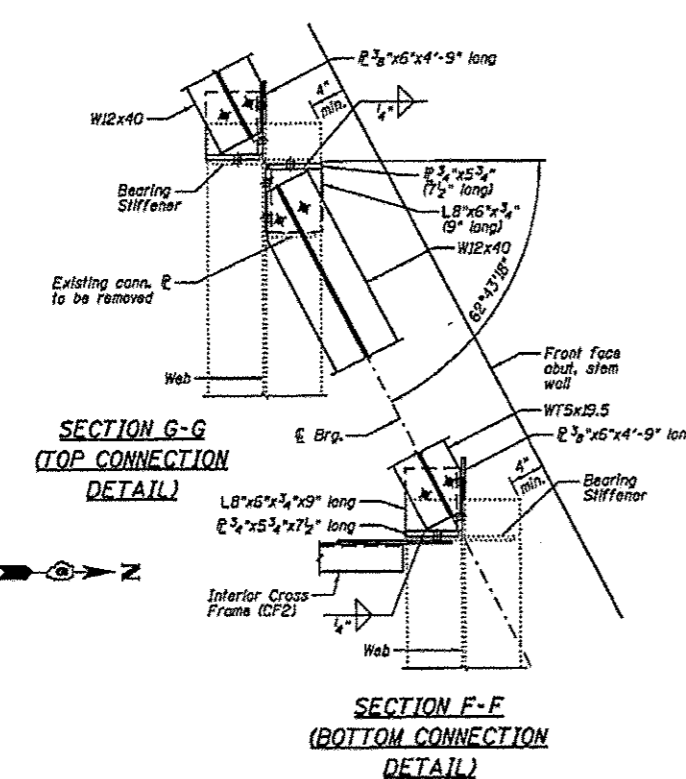
Notes: 1.) See Sheet B22 for Cross Frame Connection "A" locations.
2.) Detail $\frac{5}{8}$ " ϕ holes for all $\frac{3}{4}$ " ϕ bolts.
3.) Two hardened washers shall be required for each set of oversized holes.
4.) For existing to proposed connection, match existing bolt holes. The Contractor shall provide connection details for all existing to proposed connections per the existing shop drawings.



TYPICAL END CROSS FRAME AT EAST ABUTMENT - CF3
(5 - Required)

Notes: 1.) Detail $\frac{5}{8}$ " ϕ holes for all $\frac{3}{4}$ " ϕ bolts.
2.) Two hardened washers shall be required for each set of oversized holes.
3.) Place alphas with channel flanges projected outward from abutment backwall.

EAST ABUTMENT TABLE	
Girder No.	"x" Dimension
1	4'
2	4'-8"
3	4'-8"
4	4'
5	5'-8"
6	5'-8"



STRUCTURAL STEEL
STRUCTURE NO.084-0078

FOR INFORMATION ONLY

FILE NAME =	USER NAME = mcdonaldra	DESIGNED -	REVISED -	STATE OF ILLINOIS DEPARTMENT OF TRANSPORTATION	STRUCTURAL STEEL	F.A.I. SITE	SECTION	COUNTY	TOTAL SHEETS	SHEET NO.	
c:\documents and settings\mcdonaldra\desktop\plansheet.dgn	ktop\plansheet.dgn	DRAWN -	REVISED -			55	06 PAINTING 2013	SANGAMON	26	22	
PLT SCALE = 0.7878 / in.		CHECKED -	REVISED -			CONTRACT NO. 72F85					
PLT DATE = Nov-28-2012 01:29:00PM		DATE -	REVISED -			[ILLINOIS] FED. AID PROJECT					
Default						SCALE:	SHEET	OF	SHEETS	STA.	TO