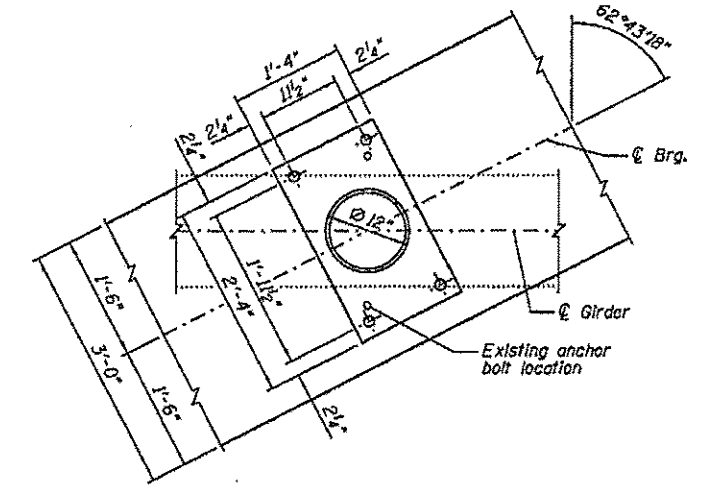


GUIDED EXPANSION HLMR BEARING

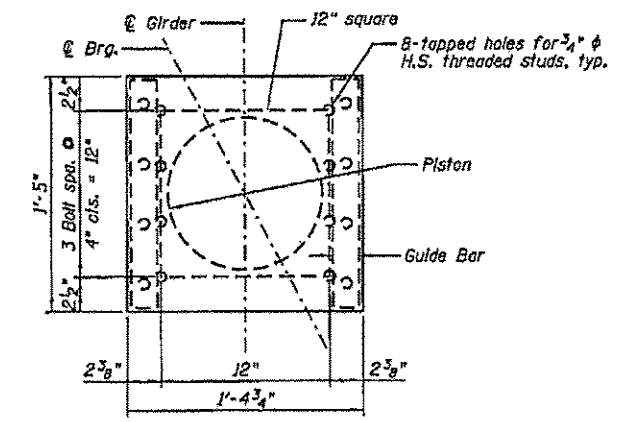
- **Dimpled, unlubricated PTFE sliding surface (bonded to piston)
- **PTFE shear reducer discs (unbonded)
- ***As alternates to the bolted connection shown, the guide bars may be connected to the top bearing plate by groove welds or the guide bars and top bearing plate may be fabricated as a single piece.



BOTTOM BEARING P AND BASE CYLINDER PLAN AT PIER NO. 1

HLMR BEARING DATA

Vertical Design Load (kips)	Lateral Design Load (kips)	Total Required Movement (in.)	Total Required Rotation (rad.)	L (in.)	D (in.)	Tl (in.)	Tb (in.)	Th (in.)
255.1	0	2	0.0002	12	12	1.75	1.875	7.375



TOP BEARING P AND PISTON PLAN

BILL OF MATERIAL

Item	Unit	Total
High Load Multi-Rotation Bearings, Guided Expansion, 300k	Each	6
Anchor Bolts, 1"	Each	24

TABLE "A"

Girder No.	Shim Thickness
5	1/2"

NOTES:

- 1.) The structural steel plates of the bearing assembly shall conform to the requirements of AASHTO M270 Grade 50.
- 2.) Two 1/8 in. adjusting shims shall be provided for each bearing in addition to all other plates or shims and placed as shown on bearing details.
- 3.) Total Bearing Heights (Th) are based on values taken from a specific manufacturer's design tables. Actual bearing heights may differ from contract plans. Contractor to verify bearing heights and adjust steel extension height if required.
- 4.) The Vertical Design Load in table is the actual controlling vertical service load.
- 5.) HLMR Bearings dimensions and details are based on a specific manufacturer's design tables. Contractor shall make necessary modifications based on the actual bearings provided.

GUIDED EXPANSION HLMR BEARING DETAILS STRUCTURE NO.084-Q078

FOR INFORMATION ONLY

FILE NAME *	USER NAME * mcdonalds	DESIGNED -	REVISED -	STATE OF ILLINOIS DEPARTMENT OF TRANSPORTATION	BEARING DETAILS	F.A.I. RTE.	SECTION	COUNTY	TOTAL SHEETS	SHEET NO.	
Default	Default	DRAWN -	REVISED -			55	06 PAINTING 2013	SANGAMON	26	26	
		CHECKED -	REVISED -			CONTRACT NO. 72P85					
		DATE -	REVISED -			ILLINOIS FED. AID PROJECT					