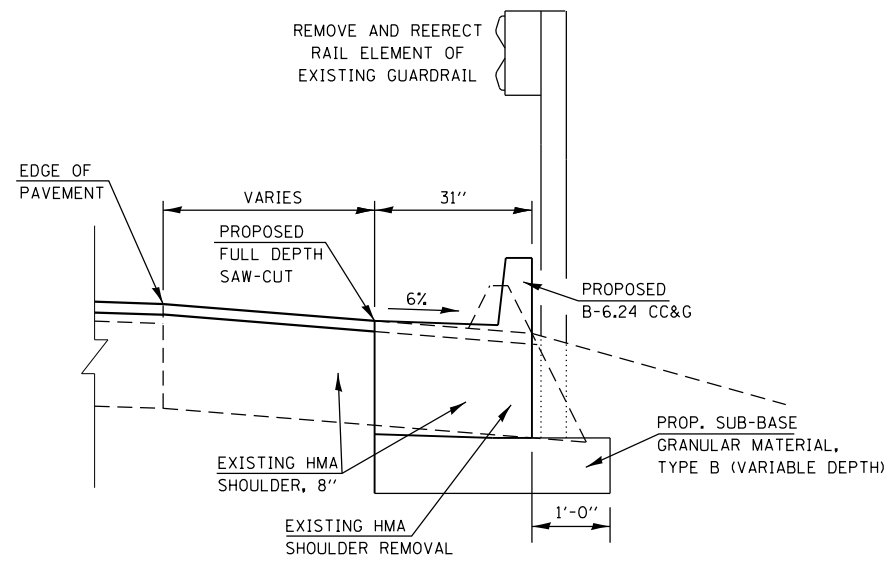
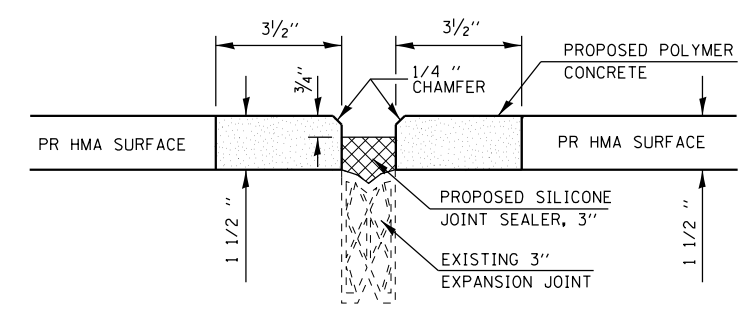


**B-6.24 CONCRETE CURB & GUTTER DETAIL  
PLAN**



**SECTION A-A**



**TYPICAL PROPOSED EXPANSION JOINT  
DETAIL**

STA. 481+34.00

FILE NAME =	USER NAME = sparksgw	DESIGNED -	REVISED -	<b>STATE OF ILLINOIS DEPARTMENT OF TRANSPORTATION</b>	<b>DETAILS</b>			F.A.P. RTE.	SECTION	COUNTY	TOTAL SHEETS	SHEET NO.
c:\pwork\pwork\sparksgw\0323437\06xxx-sh1-details.dgn		DRAWN -	REVISED -		662	(3) I-13	SANGAMON	13	13			
Default	PLOT SCALE = 40.0000' / in.	CHECKED -	REVISED -		CONTRACT NO. 72F86							
	PLOT DATE = Dec-20-2012 02:41:58PM	DATE -	REVISED -		SCALE:	SHEET OF SHEETS	STA. TO STA.	ILLINOIS FED. AID PROJECT				