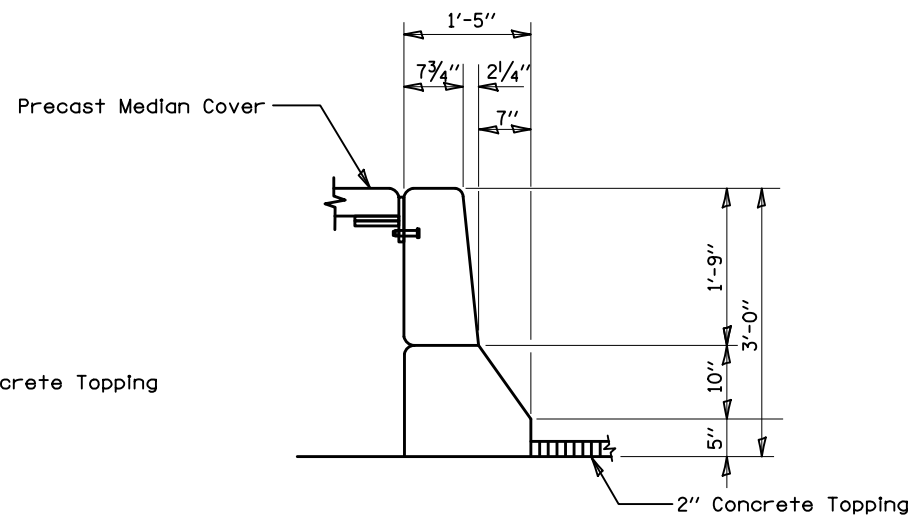


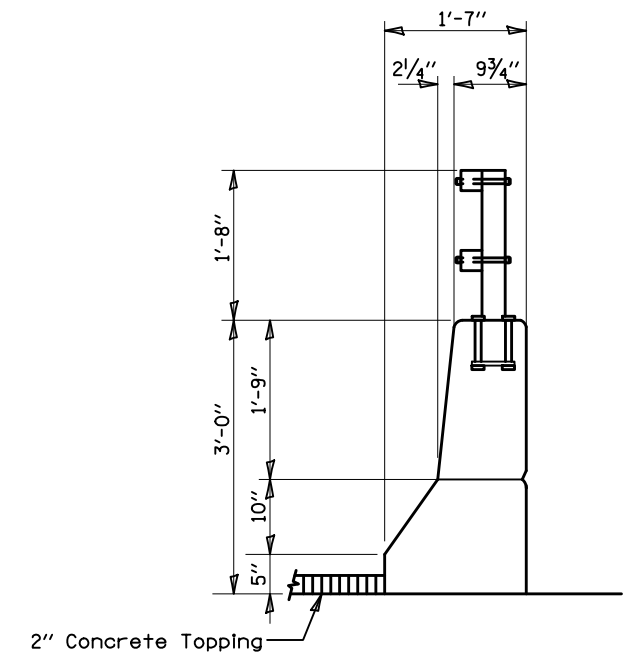
DETAIL "A"
SOLID MEDIAN

STA. 224+43.04 TO 225+21.5
STA. 237+18.5 TO 237+97.12



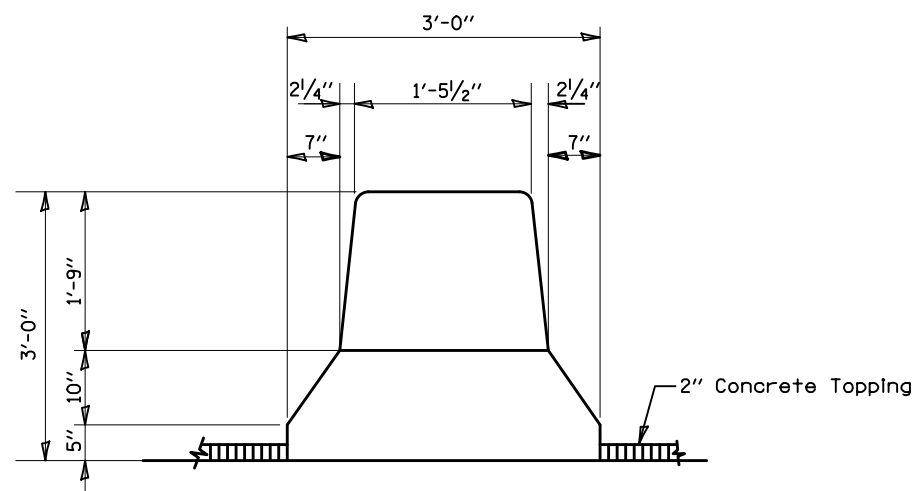
DETAIL "B"
INSIDE PARAPET

STA. 225+21.5 TO 237+18.5



DETAIL "C"
OUTSIDE PARAPET

STA. 208+35 TO STA. 254+55



DETAIL "D"
SOLID MEDIAN

STA. 208+35 224+43.04
STA. 237+97.12 TO 254+55

FILE NAME = *FILEL*	USER NAME = *USER*	DESIGNED - GEL	REVISED -	STATE OF ILLINOIS DEPARTMENT OF TRANSPORTATION	DETAIL SHEET		F.A. RTE. 304	SECTION 100B-IDS-1	COUNTY	TOTAL SHEETS 58	SHEET NO. 10	
	PLOT SCALE = *SCALE*	DRAWN - LAC	REVISED -		SCALE:	SHEET NO. 1 OF 1 SHEETS	STA.	TO STA.	CONTRACT NO. 76E73			
	PLOT DATE = *DATE*	CHECKED - MDP	REVISED -		FED. ROAD DIST. NO. ILLINOIS FED. AID PROJECT							
		DATE - 11/16/2012	REVISED -									