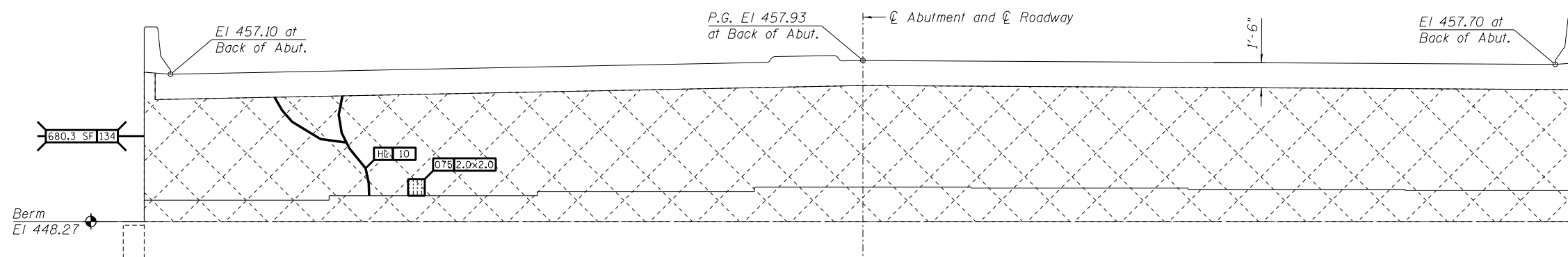
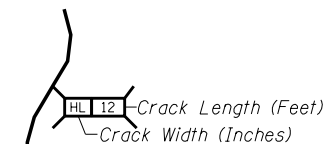


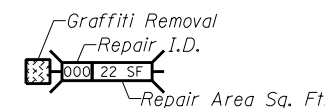
TOP PLAN



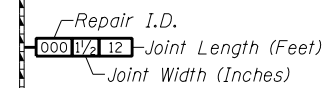
ELEVATION
Looking North



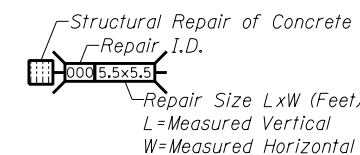
CRACKS < 1/16"
Hairline Cracks (HL) or
Cracks < 1/16" not to be Sealed.



GRAFFITI REMOVAL

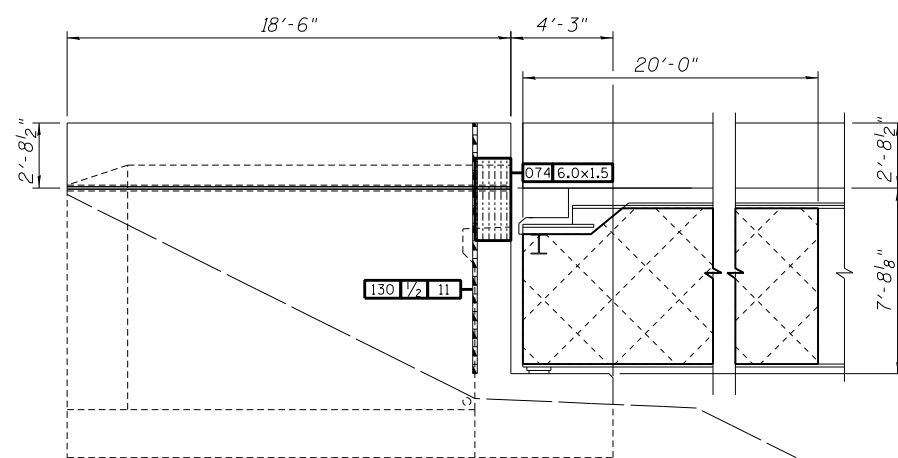


POLYURETHANE SEALANT

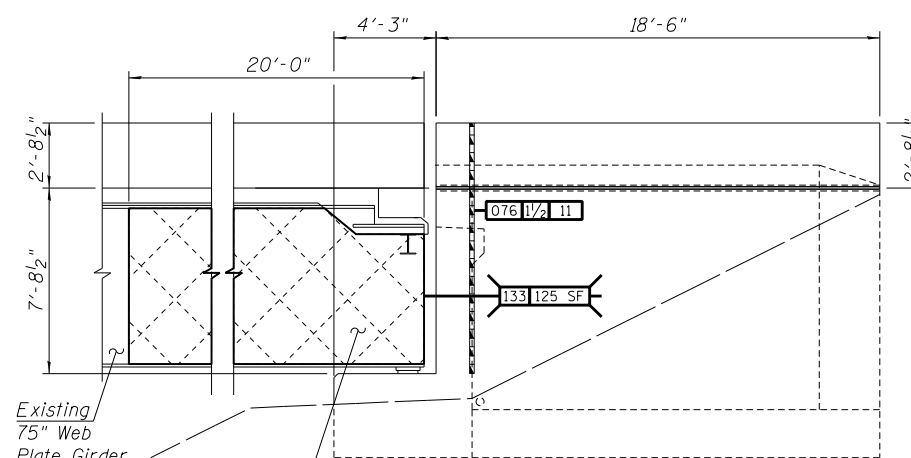


STRUCTURAL REPAIR OF CONCRETE

Note:
Sealant shall be Non-staining gray one component non-sag elastomeric gun grade polyurethane sealant meeting the requirements of ASTM C-920, Type S, Grade NS, Class 25, use T, with a 5/8" backer rod.



WINGWALL ELEVATION
West Wing



WINGWALL ELEVATION
East Wing

REPAIRS LIST - NORTH ABUTMENT

I.D.	Description	Pay Item	Units	Quantity
074	Delamination West End Backwall	Structural Repair of Concrete (Depth equal to or less than 5 Inches)	SQ. FT.	9.0
075	Spall on Backwall Near Girder 2 Brg.	Structural Repair of Concrete (Depth equal to or less than 5 Inches)	SQ. FT.	4.0
076	Backwall / Wingwall East End	Polyurethane Sealant	FOOT	11
130	Backwall / Wingwall West End	Polyurethane Sealant	FOOT	11
133	Beams 1-7, Each Web Face	Graffiti Removal	SQ. YD.	194.4
134	Backwall and Front Face Cap	Graffiti Removal	SQ. YD.	75.6

DESIGNED -	EXAMINED _____	DATE -
CHECKED -	ENGINEER OF STRUCTURAL SERVICES	
DRAWN Rod	PASSED _____	
CHECKED MNM	ENGINEER OF BRIDGES AND STRUCTURES	

STATE OF ILLINOIS
DEPARTMENT OF TRANSPORTATION

REPAIRS TO - NORTH ABUTMENT
STRUCTURE NO. 060-0255

SHEET NO. 17 OF 48 SHEETS

F.A.P. RTE.	SECTION	COUNTY	TOTAL SHEETS	SHEET NO.
304	100B-ID5-1	MADISON	58	27
CONTRACT NO. 76E73				
ILLINOIS FED. AID PROJECT				