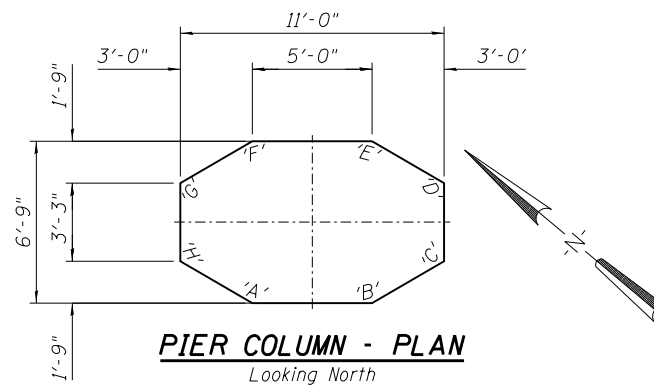
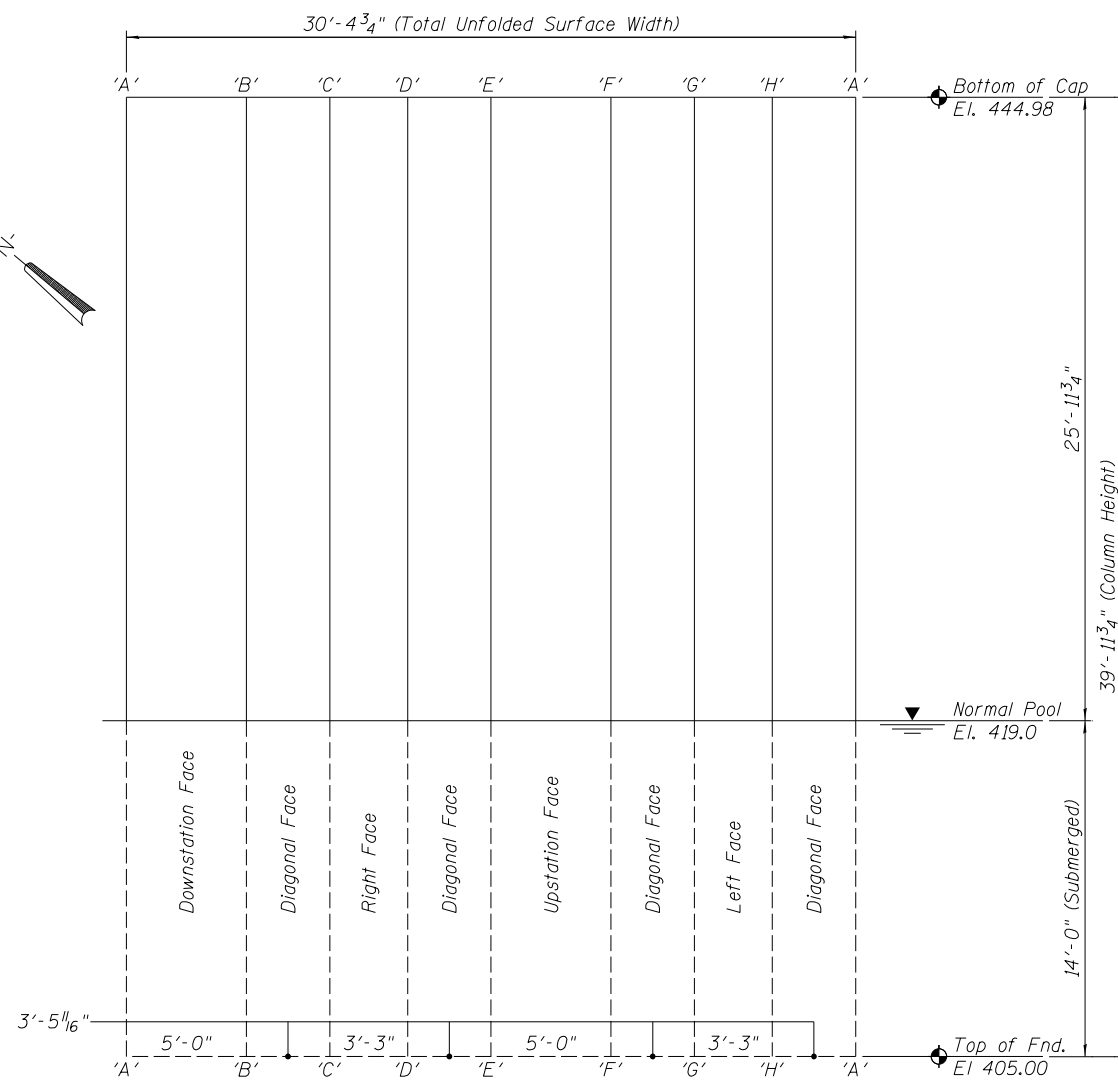


PIER NO. 3 - ELEVATION - LEFT COLUMN
 Column Surface Shown Unfolded



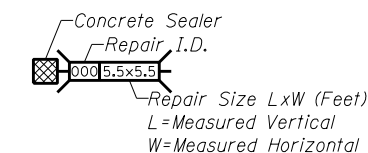
PIER COLUMN - PLAN
 Looking North



PIER NO. 3 - ELEVATION - RIGHT COLUMN
 Column Surface Shown Unfolded

REPAIRS LIST - PIER 3 - COLUMNS

I.D.	Description	Pay Item	Units	Quantity
077	Map Cracking	Concrete Sealer	SQ. FT.	120.0
077	Map Cracking	Concrete Sealer	SQ. FT.	161.3
-	-	-	-	-
-	-	-	-	-
-	-	-	-	-
-	-	-	-	-
-	-	-	-	-
-	-	-	-	-
-	-	-	-	-



CONCRETE SEALER

DESIGNED -	EXAMINED _____	DATE - _____
CHECKED -	ENGINEER OF STRUCTURAL SERVICES	
DRAWN Rod	PASSED _____	
CHECKED MNM	ENGINEER OF BRIDGES AND STRUCTURES	

**STATE OF ILLINOIS
 DEPARTMENT OF TRANSPORTATION**

**REPAIRS TO - PIER NUMBER 3 - COLUMNS
 STRUCTURE NO. 060-0255**

SHEET NO. 22 OF 48 SHEETS

F.A.P. RTE.	SECTION	COUNTY	TOTAL SHEETS	SHEET NO.
304	100B-1D5-1	MADISON	58	32
CONTRACT NO. 76E73				

ILLINOIS FED. AID PROJECT