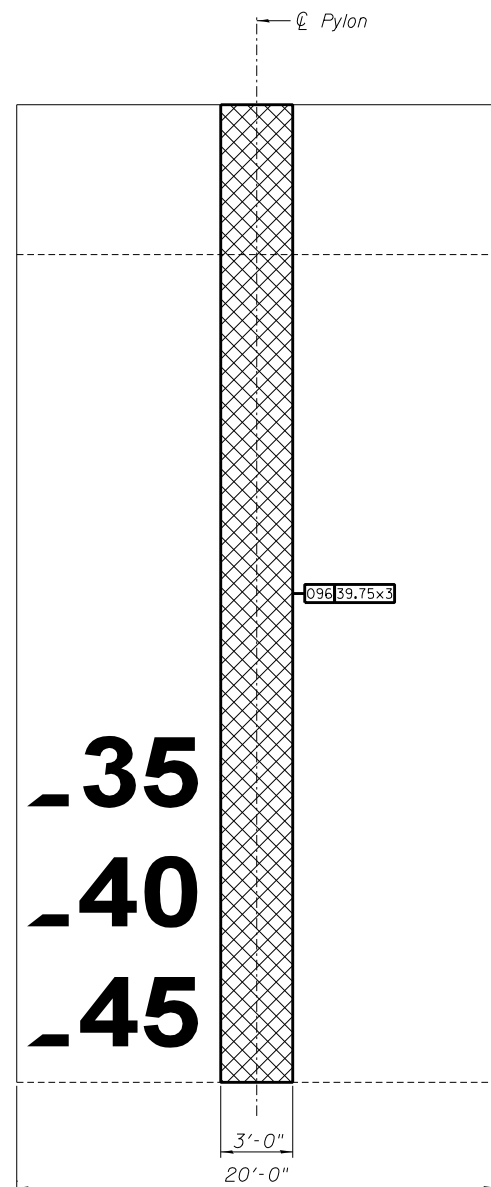
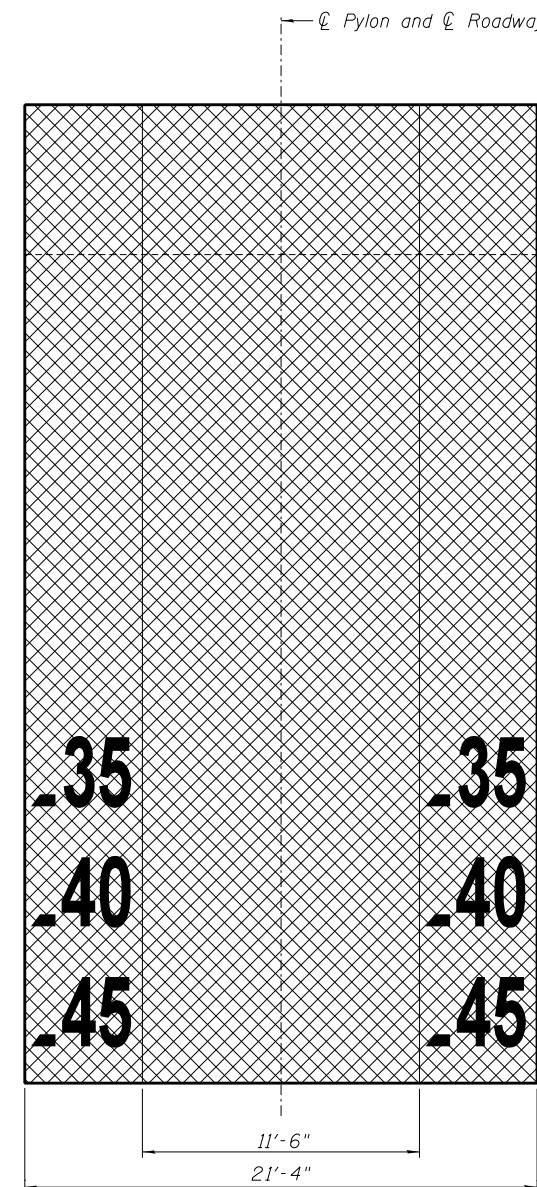


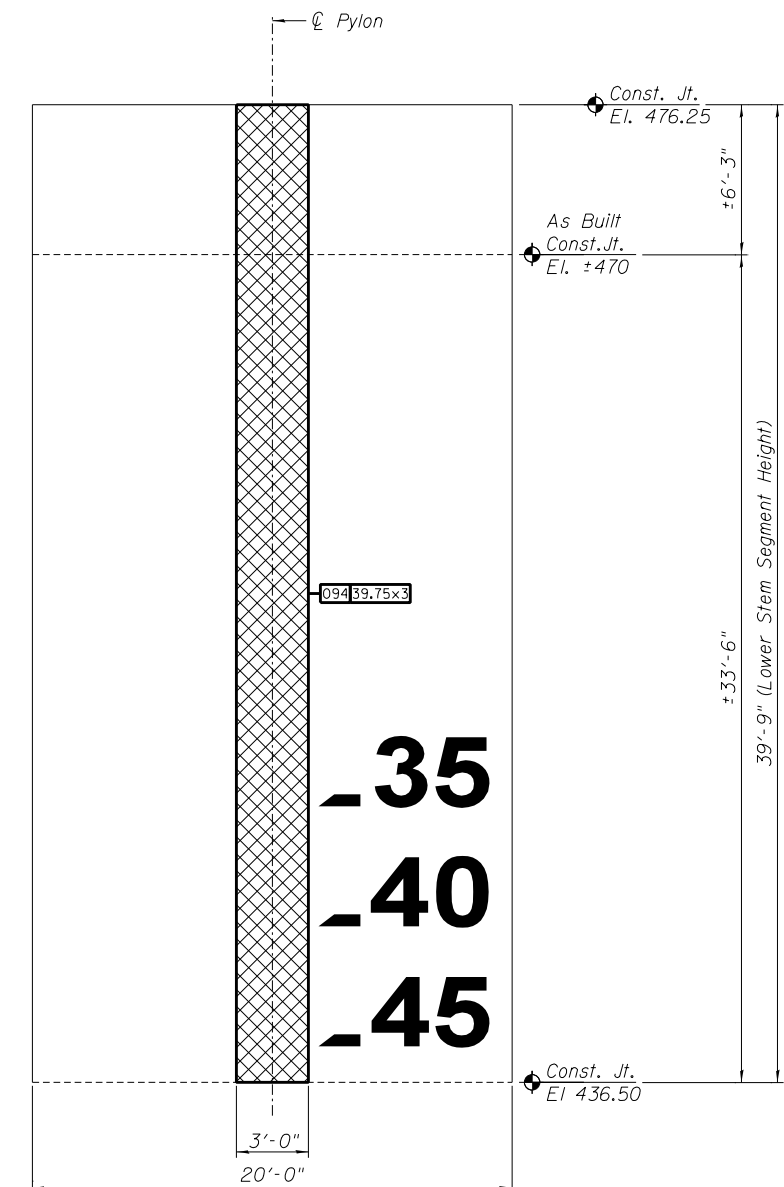
MISSOURI PYLON - 436.50 to 476.25
Looking North



MISSOURI PYLON - 436.50 to 476.25
Looking East



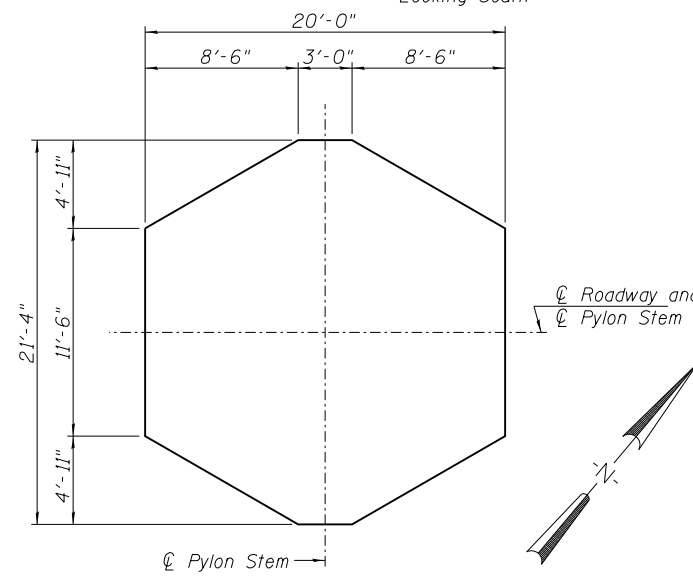
MISSOURI PYLON - 436.50 to 476.25
Looking South



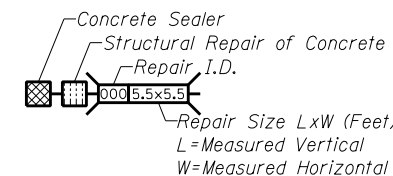
MISSOURI PYLON - 436.50 to 476.25
Looking West

REPAIRS LIST - PIER 9 - COLUMN BELOW BRIDGE DECK

I.D.	Description	Pay Item	Units	Quantity
092	Map Cracking	Concrete Sealer	SQ. FT.	1237.8
093	Delamination	Structural Repair of Concrete (Depth equal to or less than 5 Inches)	SQ. FT.	10.5
094	Map Cracking	Concrete Sealer	SQ. FT.	119.3
095	Map Cracking	Concrete Sealer	SQ. FT.	1237.8
096	Map Cracking	Concrete Sealer	SQ. FT.	119.3
-	-	-	-	-
-	-	-	-	-
-	-	-	-	-
-	-	-	-	-
-	-	-	-	-
-	-	-	-	-



TYPICAL SECTION thru PYLON STEM



CONCRETE SEALER or STRUCTURAL REPAIR of CONCRETE

DESIGNED -	EXAMINED _____	DATE - _____
CHECKED -	ENGINEER OF STRUCTURAL SERVICES	
DRAWN Rod	PASSED _____	
CHECKED MNM	ENGINEER OF BRIDGES AND STRUCTURES	

**STATE OF ILLINOIS
DEPARTMENT OF TRANSPORTATION**

**REPAIRS TO - CSS - MISSOURI PYLON (PIER 9) - (436.50 to 476.25)
STRUCTURE NO. 060-0255**

F.A.P. RTE.	SECTION	COUNTY	TOTAL SHEETS	SHEET NO.
304	100B-ID5-1	MADISON	58	41
CONTRACT NO. 76E73				