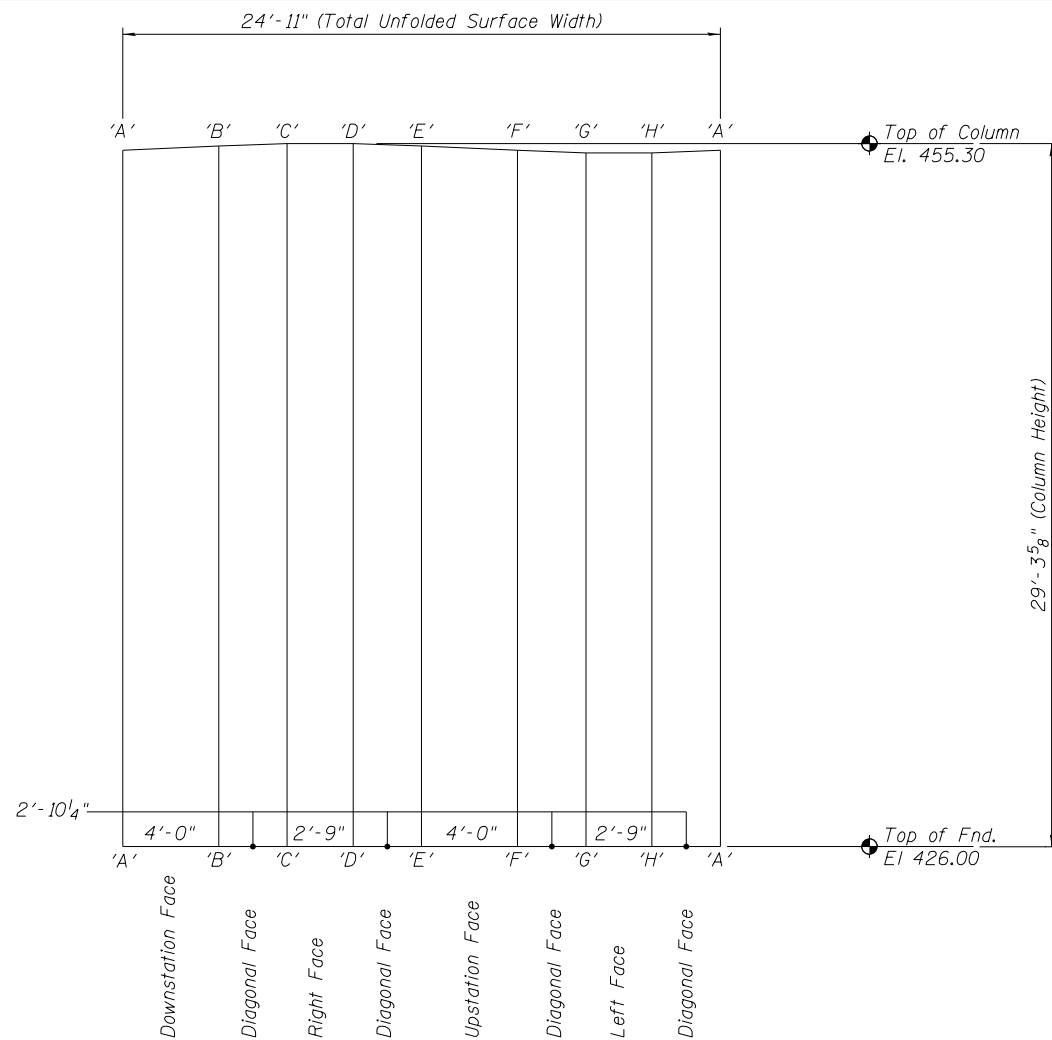


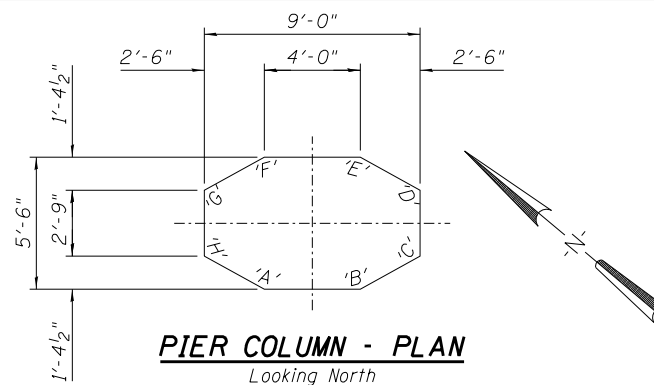


© Copyright Hanson Professional Services Inc. 2012

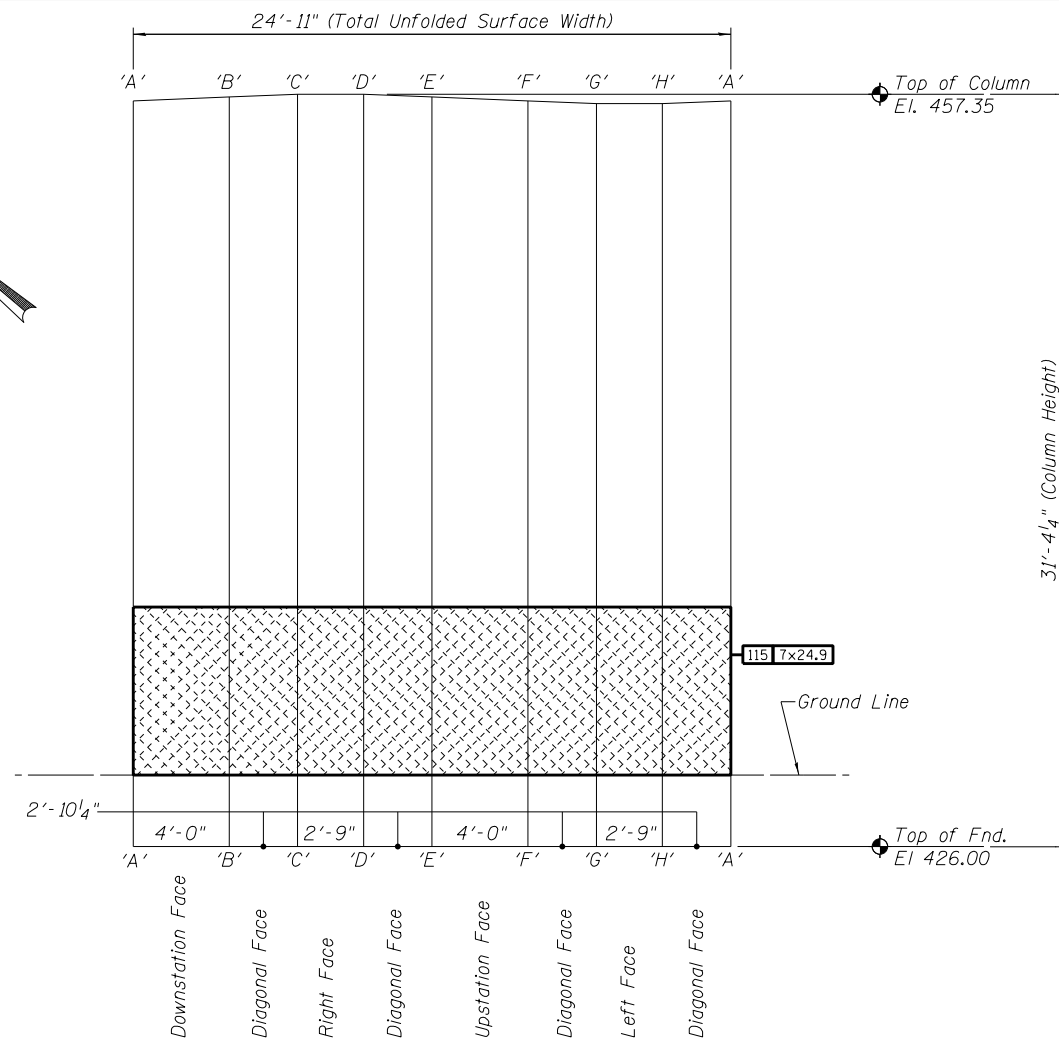
huffm0028 10/17/2012 12:09:09 PM
 I:\Jobs\110007\MOA\CAD\SHETS\0600255-76E73-043-Pier-19_Column_Repair.scdgn



PIER NO. 19 - ELEVATION - LEFT COLUMN
 Column Surface Shown Unfolded



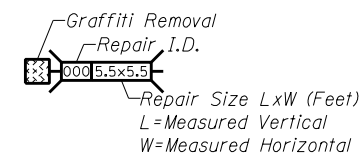
PIER COLUMN - PLAN
 Looking North



PIER NO. 19 - ELEVATION - RIGHT COLUMN
 Column Surface Shown Unfolded

REPAIRS LIST - PIER 19 - COLUMNS

| I.D. | Description | Pay Item | Units | Quantity |
|------|---------------------|------------------|---------|----------|
| 115 | Gaffiti on Concrete | Graffiti Removal | SQ. YD. | 19.37 |
| - | - | - | - | - |
| - | - | - | - | - |
| - | - | - | - | - |
| - | - | - | - | - |
| - | - | - | - | - |
| - | - | - | - | - |



GRAFFITI REMOVAL

| | | |
|-------------|------------------------------------|--------------|
| DESIGNED - | EXAMINED _____ | DATE - _____ |
| CHECKED - | ENGINEER OF STRUCTURAL SERVICES | |
| DRAWN Rod | PASSED _____ | |
| CHECKED MNM | ENGINEER OF BRIDGES AND STRUCTURES | |

**STATE OF ILLINOIS
 DEPARTMENT OF TRANSPORTATION**

**REPAIRS TO - PIER NUMBER 19 - COLUMNS
 STRUCTURE NO. 060-0255**

SHEET NO. 43 OF 48 SHEETS

| | | | | |
|---------------------------|------------|---------|--------------|-----------|
| F.A.P. RTE. | SECTION | COUNTY | TOTAL SHEETS | SHEET NO. |
| 304 | 100B-1D5-1 | MADISON | 58 | 53 |
| CONTRACT NO. 76E73 | | | | |
| ILLINOIS FED. AID PROJECT | | | | |