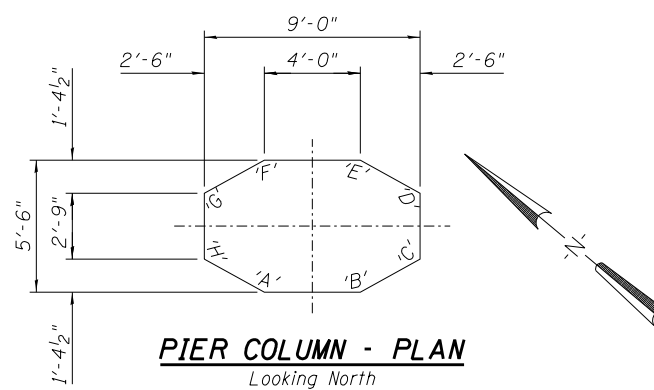
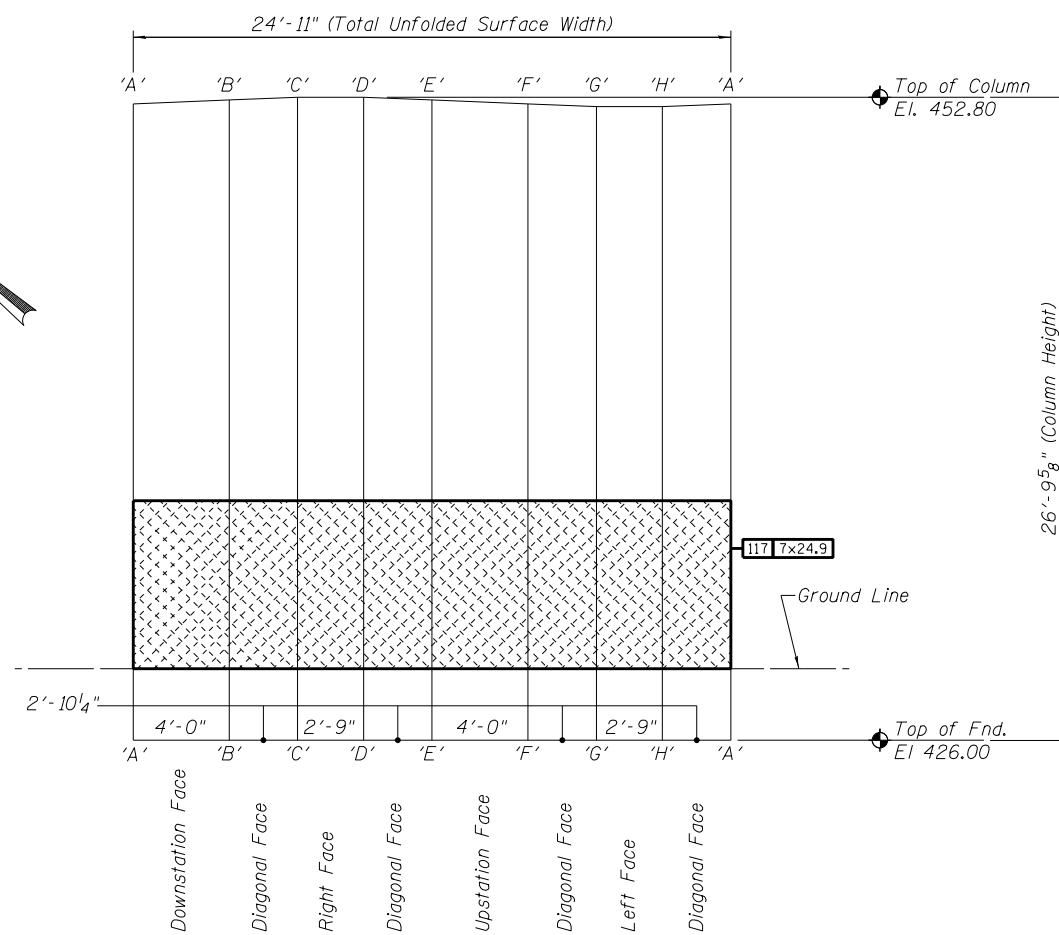


PIER NO. 20 - ELEVATION - LEFT COLUMN
 Column Surface Shown Unfolded



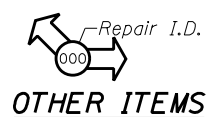
PIER COLUMN - PLAN
 Looking North



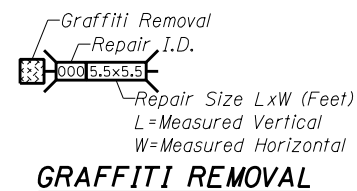
PIER NO. 20 - ELEVATION - RIGHT COLUMN
 Column Surface Shown Unfolded

REPAIRS LIST - PIER 20 - COLUMNS

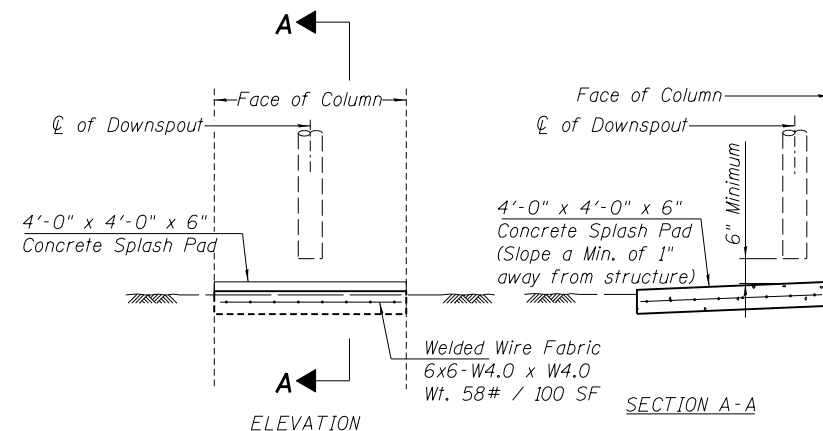
I.D.	Description	Pay Item	Units	Quantity
116	Erosion Under Drain Outlet	Slope Wall 6 Inch	SQ. YD.	1.78
117	Gaffiti on Concrete	Graffiti Removal	SQ. YD.	19.37
-	-	-	-	-
-	-	-	-	-
-	-	-	-	-
-	-	-	-	-



OTHER ITEMS



GRAFFITI REMOVAL



OUTLET and SPLASH PAD DETAIL

Note:
 Concrete Splash Pad shall be constructed in accordance with Article 511 of the Standard Specifications and paid for as "Slope Wall 6 Inch".
 Cost for any excavation or concrete removal shall be included in the cost of "Slope Wall 6 Inch".

DESIGNED -	EXAMINED _____	DATE - _____
CHECKED -	ENGINEER OF STRUCTURAL SERVICES	
DRAWN Rod	PASSED _____	
CHECKED MNM	ENGINEER OF BRIDGES AND STRUCTURES	

**STATE OF ILLINOIS
 DEPARTMENT OF TRANSPORTATION**

**REPAIRS TO - PIER NUMBER 20 - COLUMNS
 STRUCTURE NO. 060-0255**

SHEET NO. 44 OF 48 SHEETS

F.A.P. RTE. 304	SECTION 100B-ID5-1	COUNTY MADISON	TOTAL SHEETS 58	SHEET NO. 54
CONTRACT NO. 76E73				
ILLINOIS FED. AID PROJECT				