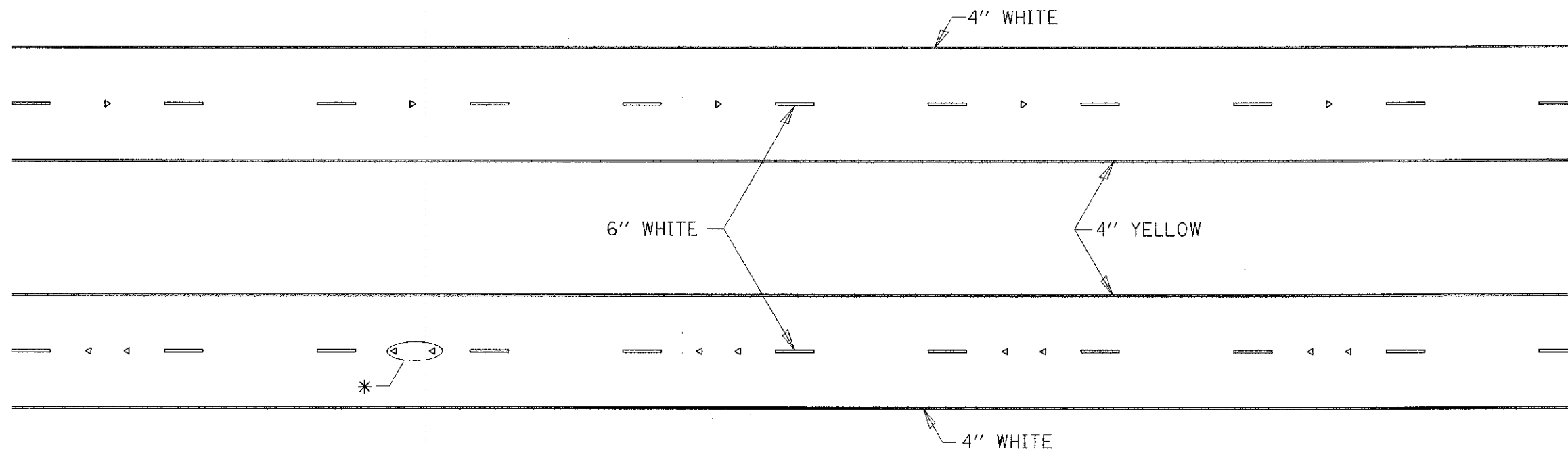
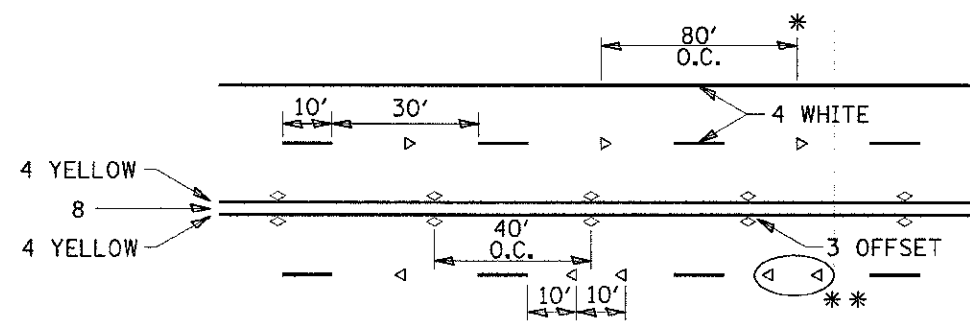


TYPICAL PAVEMENT MARKINGS



MULTI-LANE / DIVIDED



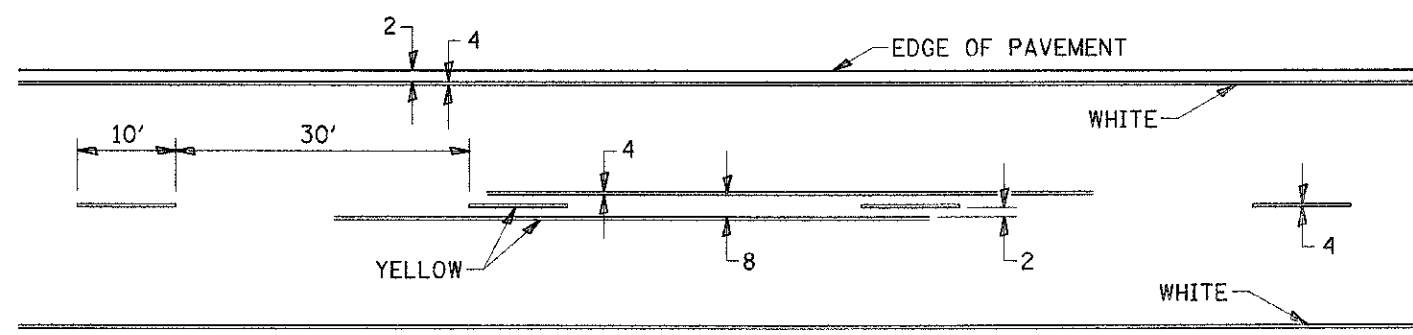
SYMBOLS

- * REDUCE TO 40' O.C. ON CURVES WHERE ADVISORY SPEEDS ARE 10 MPH LOWER THAN POSTED SPEEDS.
- ** USE DOUBLE MARKERS WHEN ADT ≥ 25,000

MULTI-LANE / UNDIVIDED

(FOR MULTI-LANE UNDIVIDED HIGHWAYS USE THIS DETAIL NOT HIGHWAY STANDARD 781001)

TYPICAL PAVEMENT MARKING FOR TWO LANE SECTION – NO PASSING ZONES



FILE NAME = M:\Tom\12-00356-01-1.dgn	USER NAME = tomteg	DESIGNED -	REVISED - 10-18-11	STATE OF ILLINOIS DEPARTMENT OF TRANSPORTATION	REGION 2 / DISTRICT 2 STANDARD	F.A.D. RTE.	SECTION	COUNTY	TOTAL SHEETS	SHEET NO.
PLOT SCALE = 50.0000' / 1" =	DRAWN -	REVISED -	9878			12-00356-01-BR	WINNEBAGO	16	16	
PLOT DATE = 1/16/2013	CHECKED -	REVISED -	CONTRACT NO. 85577							
DATE -	REVISED -	ILLINOIS FED. AID PROJECT								