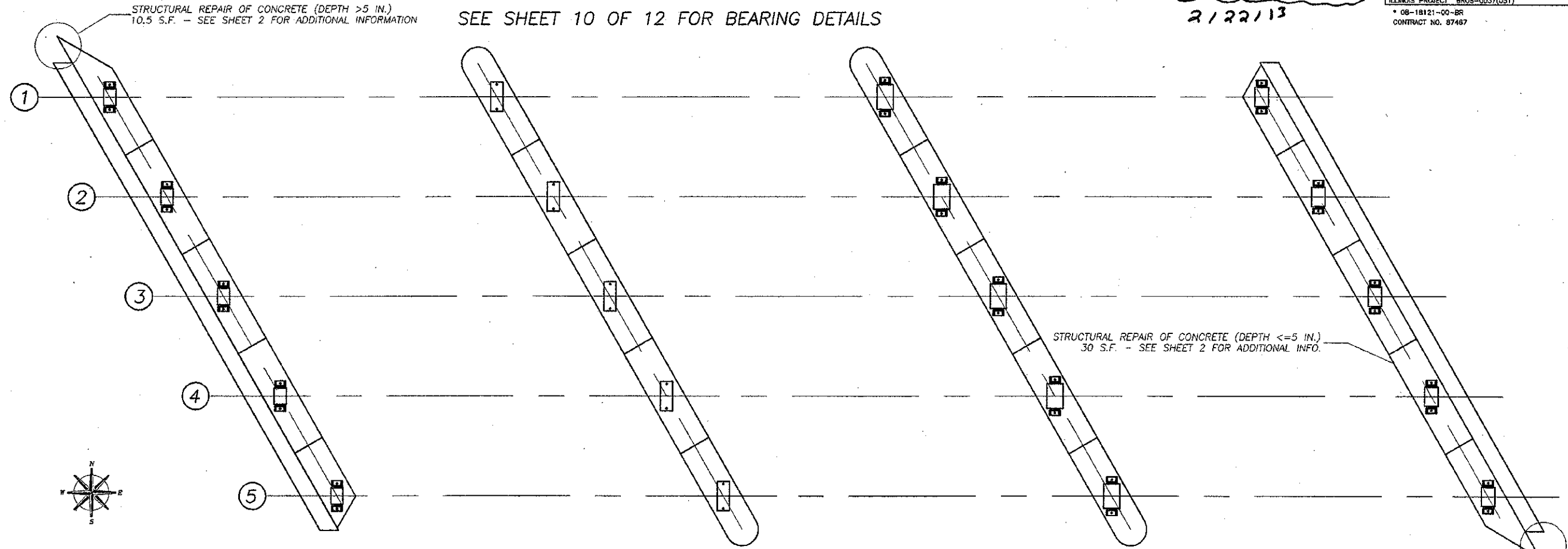


Print modified for clarity.

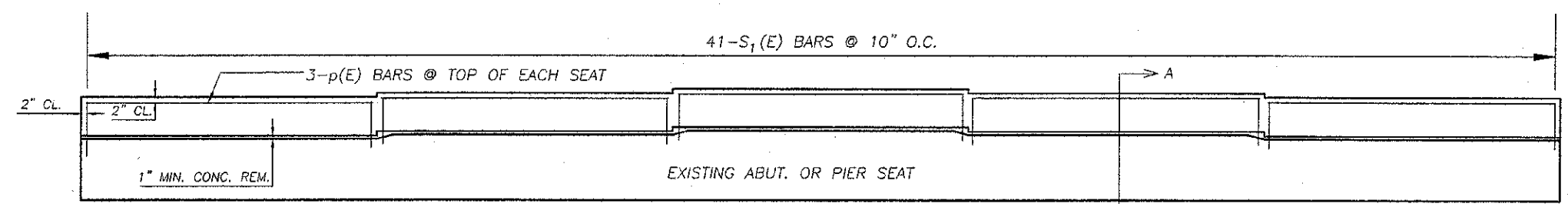
2/22/13

TWP. NO.	SEC.	COUNTY	TOTAL SHEETS	SHEET NO.
61		DEKALB	18	12
ILLINOIS PROJECT: BROS-QD37(051)				
* 08-18121-00-BR				
CONTRACT NO. 87487				



SEE SHEET 10 OF 12 FOR BEARING DETAILS

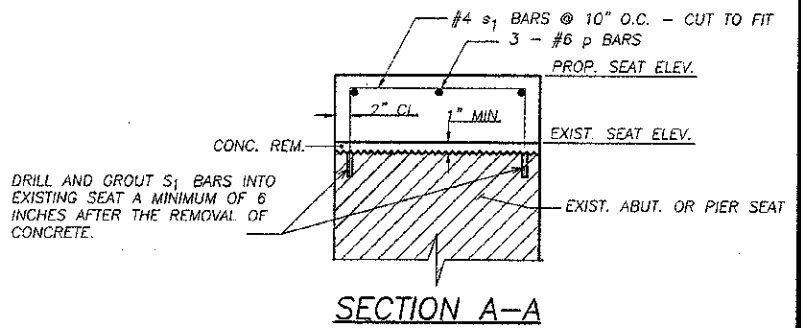
PLAN



ELEVATION

* CONTRACTOR SHALL VERIFY EXISTING SEAT ELEVATIONS.

	SEAT ELEVATIONS											
	W. ABUT.			W. PIER			E. PIER			E. ABUT.		
	EXIST.*	PROP.	DIFF.*	EXIST.*	PROP.	DIFF.*	EXIST.*	PROP.	DIFF.*	EXIST.*	PROP.	DIFF.*
BEAM 1	804.15	805.06	+0.91	804.20	805.10	+0.90	804.12	805.01	+0.89	804.15	804.88	+0.73
BEAM 2	804.25	805.16	+0.91	804.30	805.20	+0.90	804.22	805.11	+0.89	804.25	804.98	+0.73
BEAM 3	804.35	805.25	+0.90	804.40	805.29	+0.89	804.32	805.20	+0.88	804.35	805.07	+0.72
BEAM 4	804.25	805.16	+0.91	804.30	805.20	+0.90	804.22	805.11	+0.89	804.25	804.98	+0.73
BEAM 5	804.15	805.06	+0.91	804.20	805.10	+0.90	804.12	805.01	+0.89	804.15	804.88	+0.73



SECTION A-A

DESIGNED:	RLR
DRAWN:	BDS
CHECKED:	
DATE:	

NO.	DATE	REVISIONS

DESIGNED BY:	RLR
DRAWN BY:	RLR
CHECKED BY:	
DATE:	

wendler
 GEOTECHNICAL SOLUTIONS
 ENGINEERS - SURVEYORS - SCIENTISTS
 www.wendlereng.com Ph: 815.288.2281
 Illinois Professional Design Firm No. 184-00348

ABUTMENT AND PIER DETAILS
 OF
 BASE LINE ROAD BRIDGE PROJECT
 FOR
 DEKALB COUNTY HIGHWAY

SHEET TITLE
 ABUTMENT & PIER DETAILS

JOB NUMBER
 2080382

DATE
 12/14/2012

SHEET NO.
 12 of 18