

TWP. NO.	SEC.	COUNTY	TOTAL SHEETS	SHEET NO.
61	*	DEKALB	18	7

ILLINOIS PROJECT BRGS-0037(051)  
 \* 08-18121-00-BR  
 CONTRACT NO. 87487

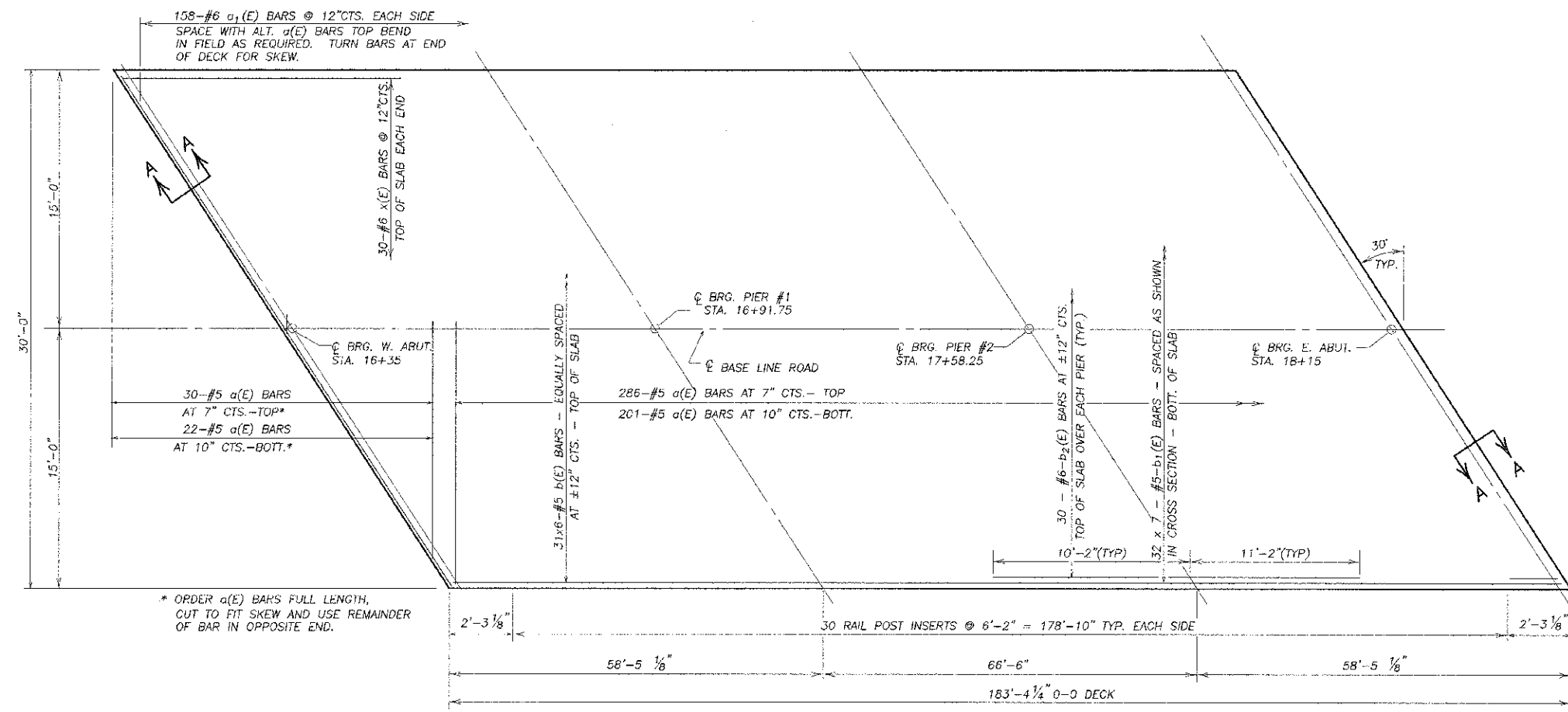
SCALE: 1"=10'

REVISIONS	DATE

DESIGNED BY:	RLR
DRAWN BY:	BDS
CHECKED BY:	
DATE:	

**wendler**  
 GROUND-BREAKING SOLUTIONS  
 engineers - surveyors - geotechnical  
 www.wendlereng.com ph: 815.285.2251  
 Illinois Professional Design Firm No. 104-00048

SUPERSTRUCTURE OF BASE LINE ROAD BRIDGE PROJECT FOR DEKALB COUNTY HIGHWAY

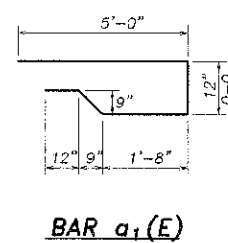
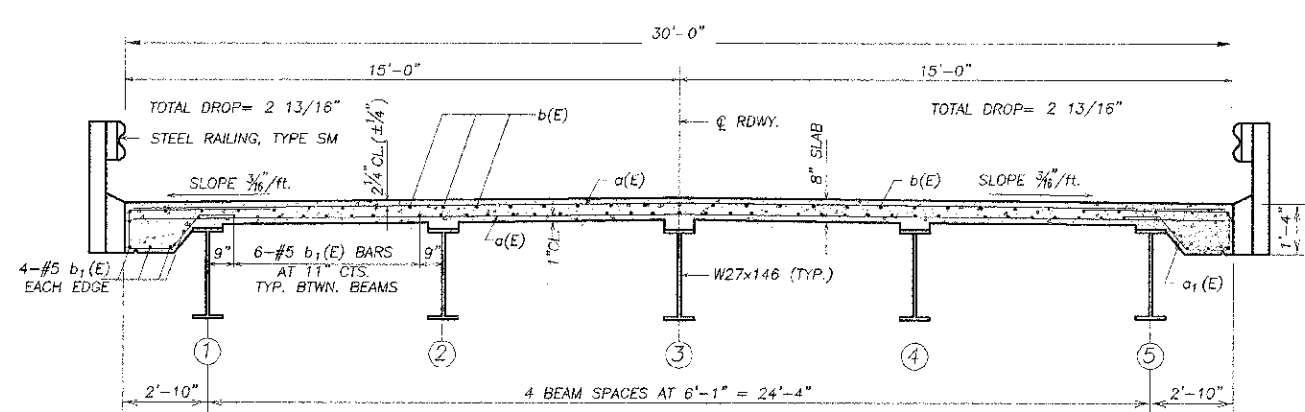
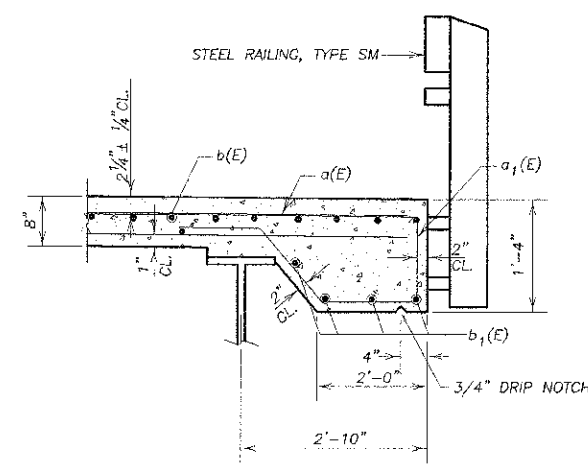
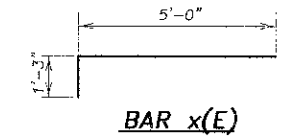


\* ORDER a(E) BARS FULL LENGTH, CUT TO FIT SKEW AND USE REMAINDER OF BAR IN OPPOSITE END.

PLAN

MIN. LAP

#5	2'-5"
#6	2'-9"



CROSS SECTION (LOOKING EAST)

SUPERSTRUCTURE SECTION 08-18121-00-BR DEKALB COUNTY S.N. 019-4500

DESIGNED:	RLR
DRAWN:	BDS
CHECKED:	
DATE:	

SHEET TITLE

SUPER STRUCTURE

JOB NUMBER 2080382

DATE 12/14/2012

SHEET NO.

7 of 18