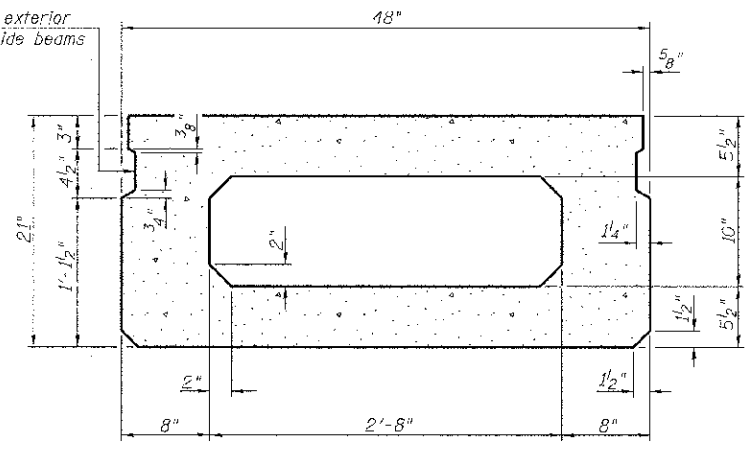
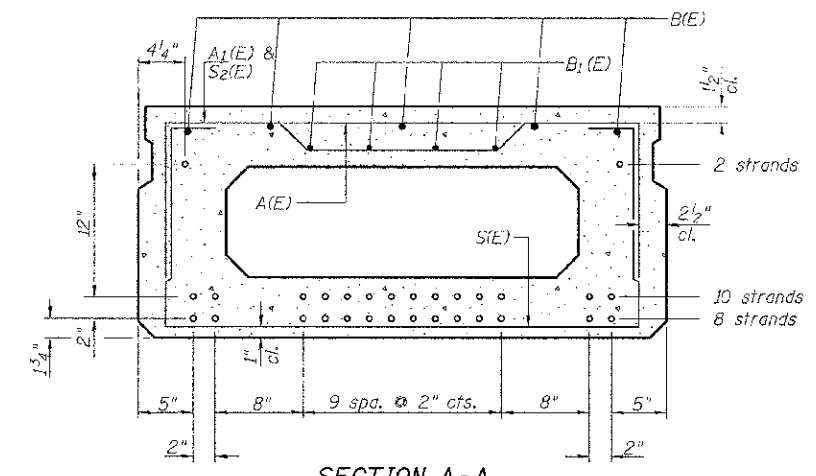


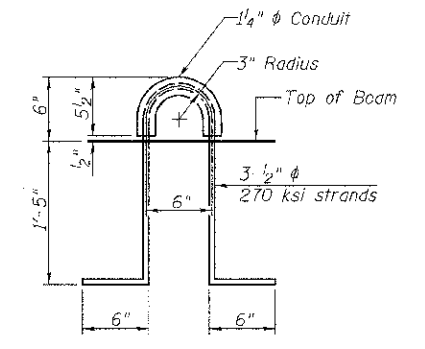
**SECTION C-C**



**SECTION A-A**  
(Showing dimensions)



**SECTION A-A**

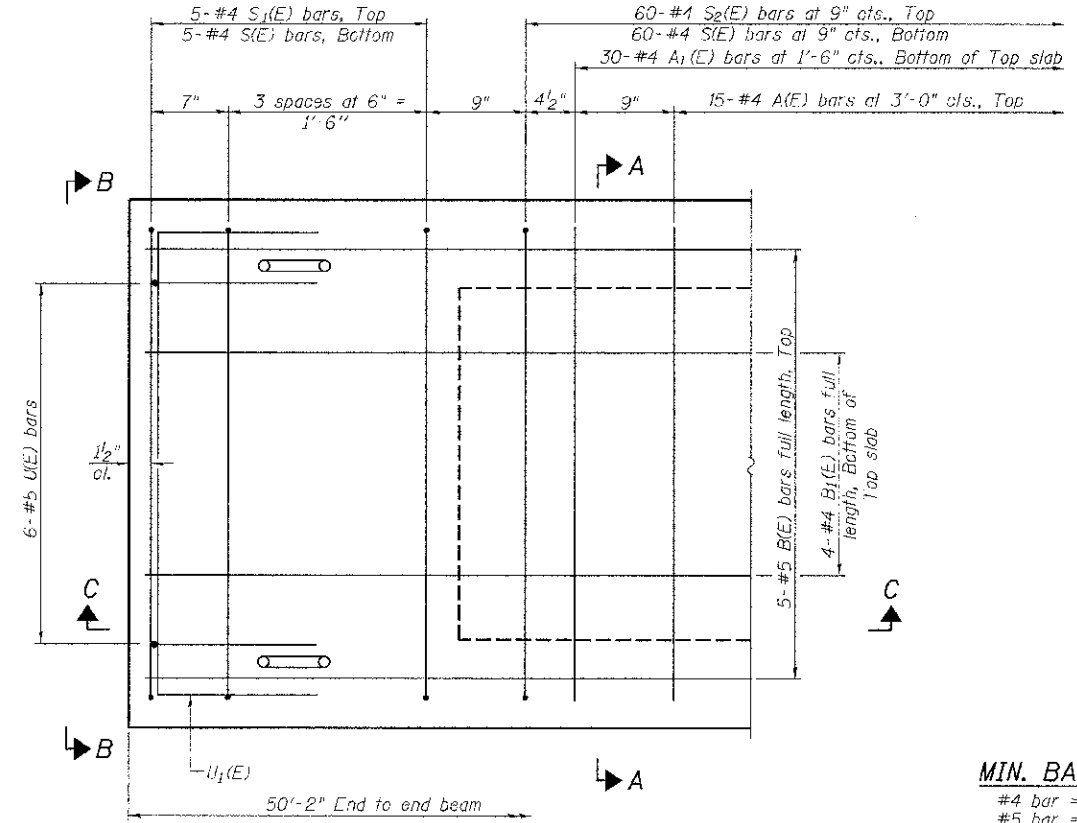


**LIFTING LOOP DETAIL**

\*\*Omit key on exterior face of outside beams

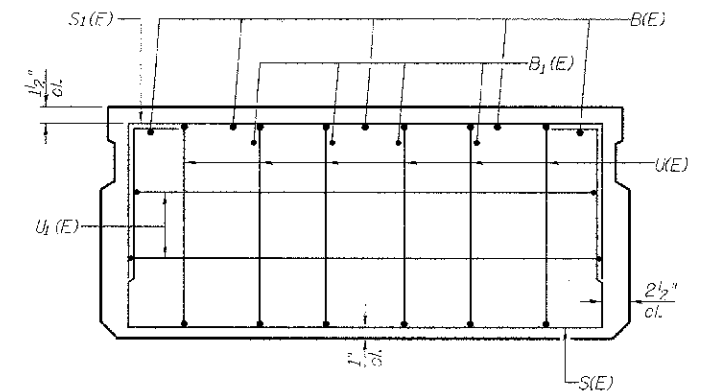
\*\*Roll post anchor devices (Sheet 4 of 11) to be cast into exterior face of outside beams.

20-1/2" Strands Each Strand Stressed to 30,900 Lbs.  
 8-Strands 1 3/4" up, 10-Strands 3 3/4" up, 2-Strands 1'-3 3/4"  
 Note: Place the number of strands specified in each row symmetrically about the centerline of beam in the permissible strand locations shown.

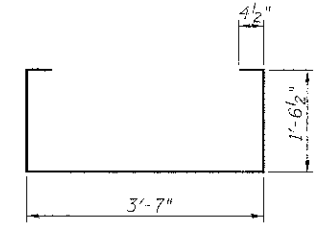


**PLAN VIEW**

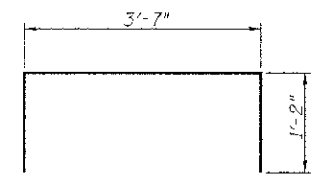
Note: Spacing of S1(E) and S2(E) bars may be adjusted up to 4" in the immediate area of the transverse tie diaphragms to miss the block outs for the transverse ties.



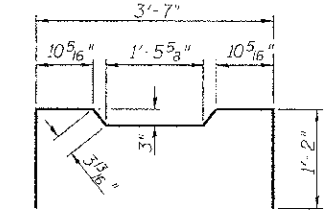
**VIEW B-B**



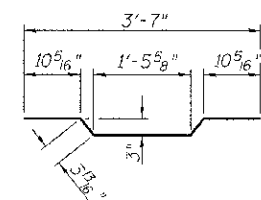
**BAR S1(E)**



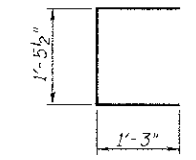
**BAR S2(E)**



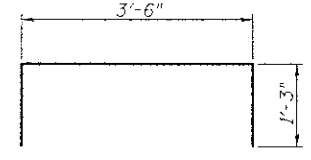
**BAR A1(E)**



**BAR B1(E)**



**BAR U1(E)**



**BAR U2(E)**

**MIN. BAR LAP**  
 #4 bar = 2'-0"  
 #5 bar = 2'-6"

**BAR LIST-ONE BEAM ONLY**  
(For Information Only)

BAR	NO.	SIZE	LENGTH	SHAPE
A1(E)	15	#4	3'-7"	—
A2(E)	30	#4	3'-10"	—
B1(E)	5	#5	*49'-11"	—
B2(E)	4	#4	*49'-11"	—
S1(E)	70	#4	7'-5"	□
S2(E)	10	#4	5'-11"	□
S3(E)	60	#4	6'-2"	□
U1(E)	12	#5	4'-0"	□
U2(E)	4	#4	6'-0"	□

\* Total Length, Lap as necessary

Note: See sheet 2 of 11 for additional details and Bill of Material.

**SUPERSTRUCTURE DETAILS**  
**BUREAU COUNTY**  
**SECTION 07-03126-00-BR**  
**T.R. 109 OVER LIME CREEK TRIBUTARY**

SHEET NO. 3 11 SHEETS	ROUTE NO.	SECTION	COUNTY	TOTAL SHEETS	SHEET NO.
	TR 109	07-03126-00-BR	BUREAU	61	27
	S.N. 006-4088		CONTRACT NO. 87528		
FED. ROAD DIST. NO. 7 ILLINOIS		FED. AID PROJECT BR05-0011(087)			