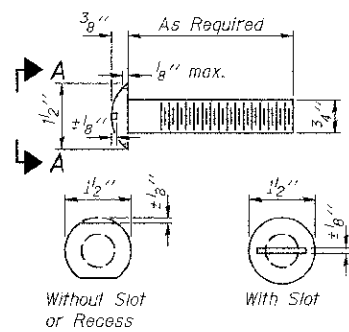
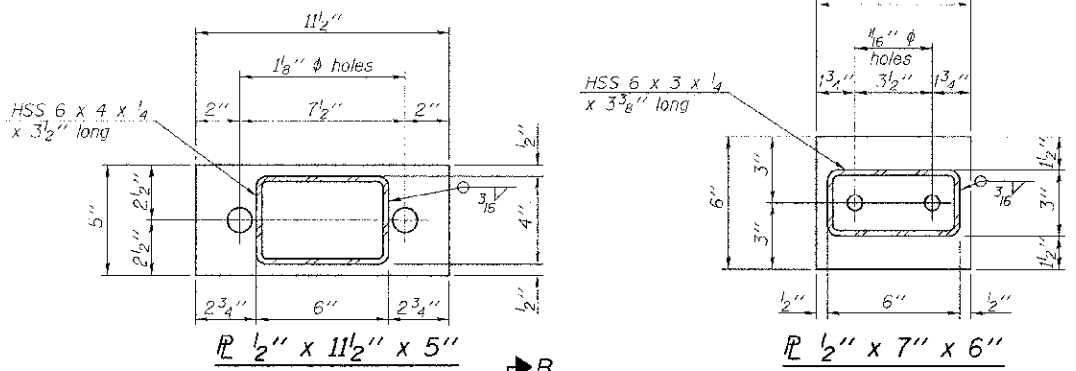


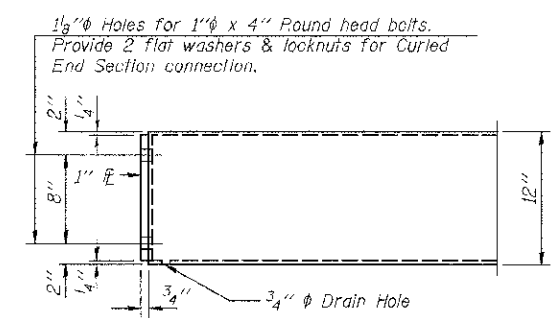
FOR RAIL POST SPACING SEE SH.#5 OF 11



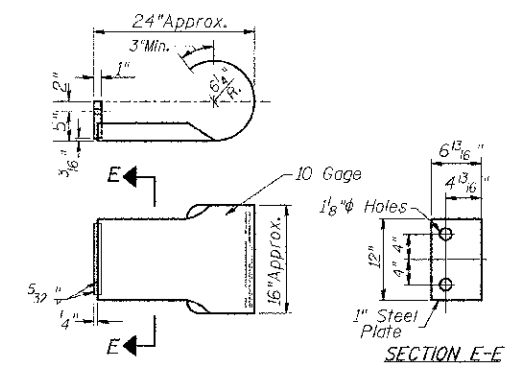
VIEW A-A
ROUND HEAD BOLT



PLAN 1/2" x 11 1/2" x 5"
PLAN 1/2" x 7" x 6"



END OF RAIL DETAILS

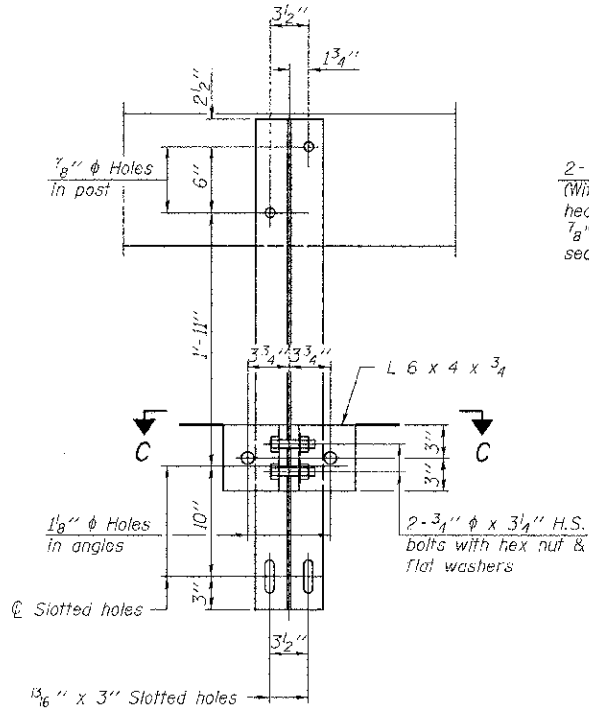


CURLED END SECTION
(Each Corner-4 Req'd) Terminal Markers-Direct Applied shall be placed on end of each Curled End Section. Cost of Curled End Sections and Terminal Markers-Direct Applied included with Steel Railing, Type S-1.

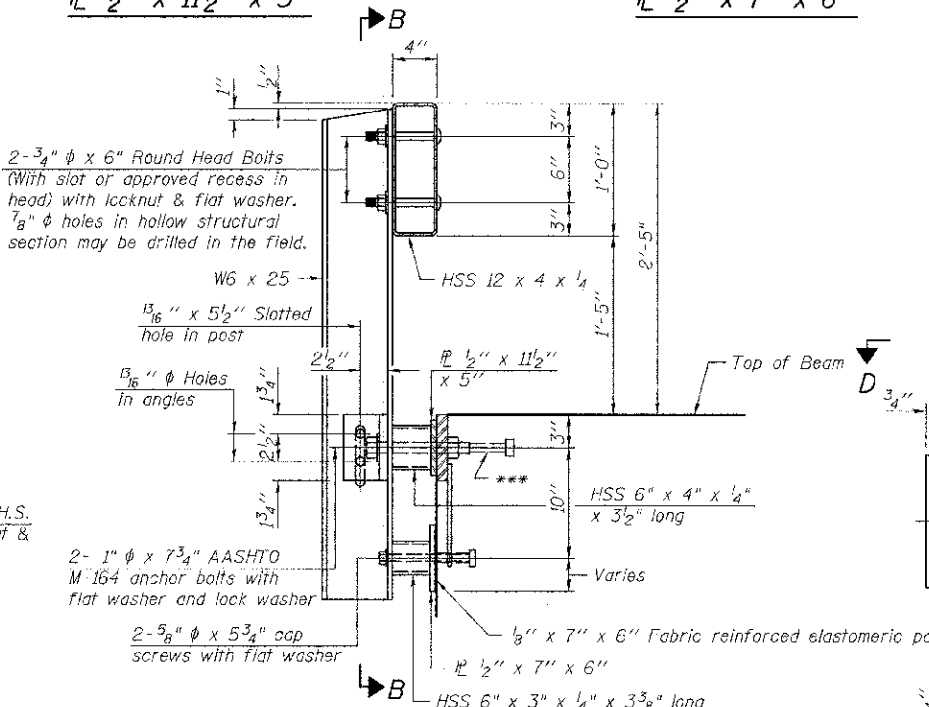
NOTES

All field drilled holes shall be coated with an approved zinc rich paint before erection. For multi-span bridges, sufficient 1/4" x 6" x 1'-2" galvanized steel shims shall be provided to align rail between adjacent spans. Cost included with Steel Railing, Type S-1. All steel rail elements shall be galvanized according to Article 509.05 of the Standard Specifications.

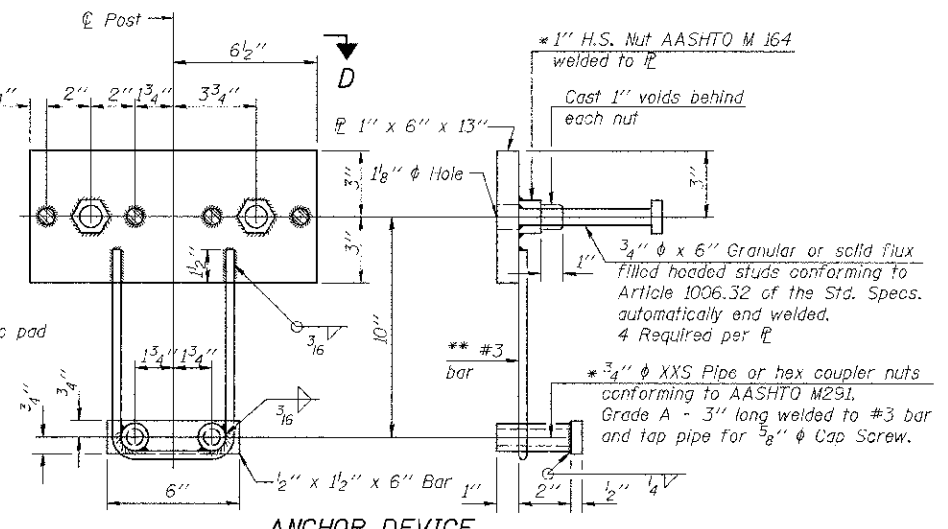
*** The studs of the anchor devices shall be placed below the top reinforcement bars and the outermost longitudinal reinforcement bar shall be placed directly above the studs of the rail post anchor device.



SECTION B-B

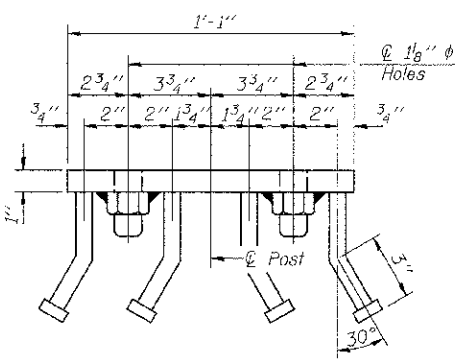


SECTION AT RAILING POST

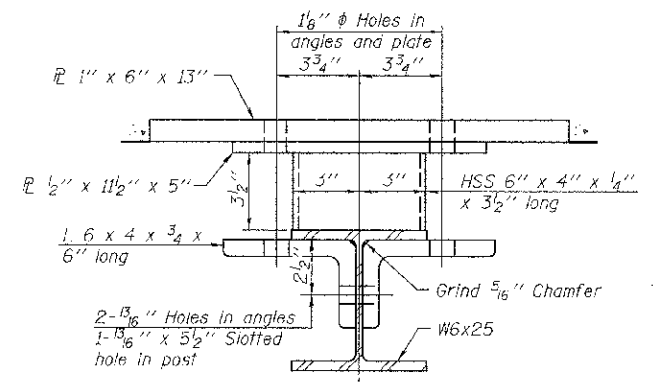


ANCHOR DEVICE

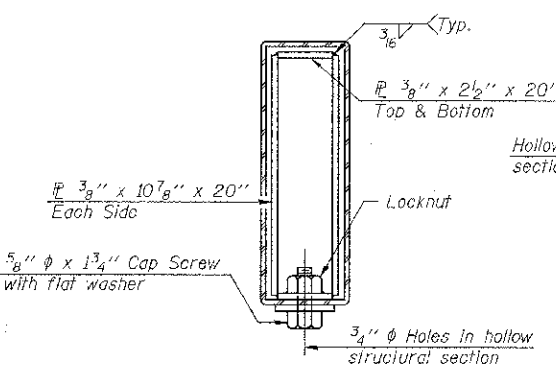
* Threaded areas shall be plugged or blocked off during casting of beam.



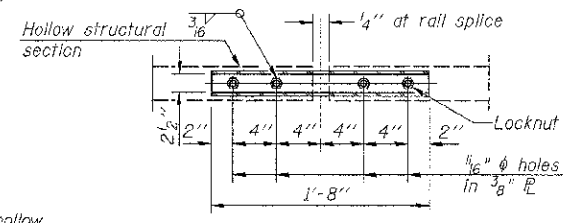
VIEW D-D



SECTION C-C



SECTIONS AT RAIL SPLICE



PLAN-BOTT. SPLICE TYPICAL

** Whenever the lower insert assemblies interfere with strand locations, the #3 bars shall be cut and adjusted in order to allow raising or lowering of the lower inserts. Maximum adjustment not to exceed 1/2 inch.

BILL OF MATERIAL

ITEM	UNIT	QUANTITY
Steel Railing, Type S-1	FOOT	104

STEEL RAILING, TYPE S-1
BUREAU COUNTY
SECTION 07-03126-00-BR
T.R. 109 OVER LIME CREEK TRIBUTARY

SHEET NO. 4	ROUTE NO.	SECTION	COUNTY	TOTAL SHEETS	SHEET NO.
	TR 109	07-03126-00-BR	BUREAU	61	28
11 SHEETS	S.N. 006-4088	CONTRACT NO. 87528			
FED. ROAD DIST. NO. 7 ILLINOIS		FED. AID PROJECT BR05-0011(087)			