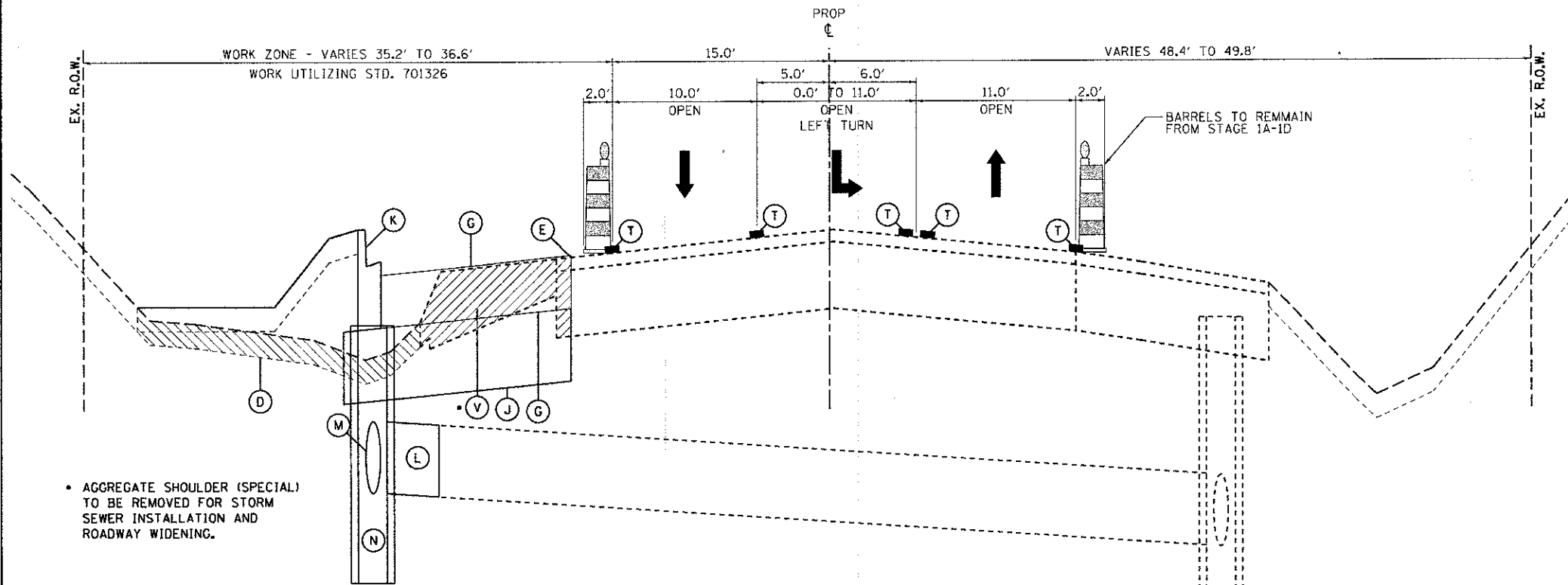


STAGING TYPICAL SECTIONS

STAGE 1D

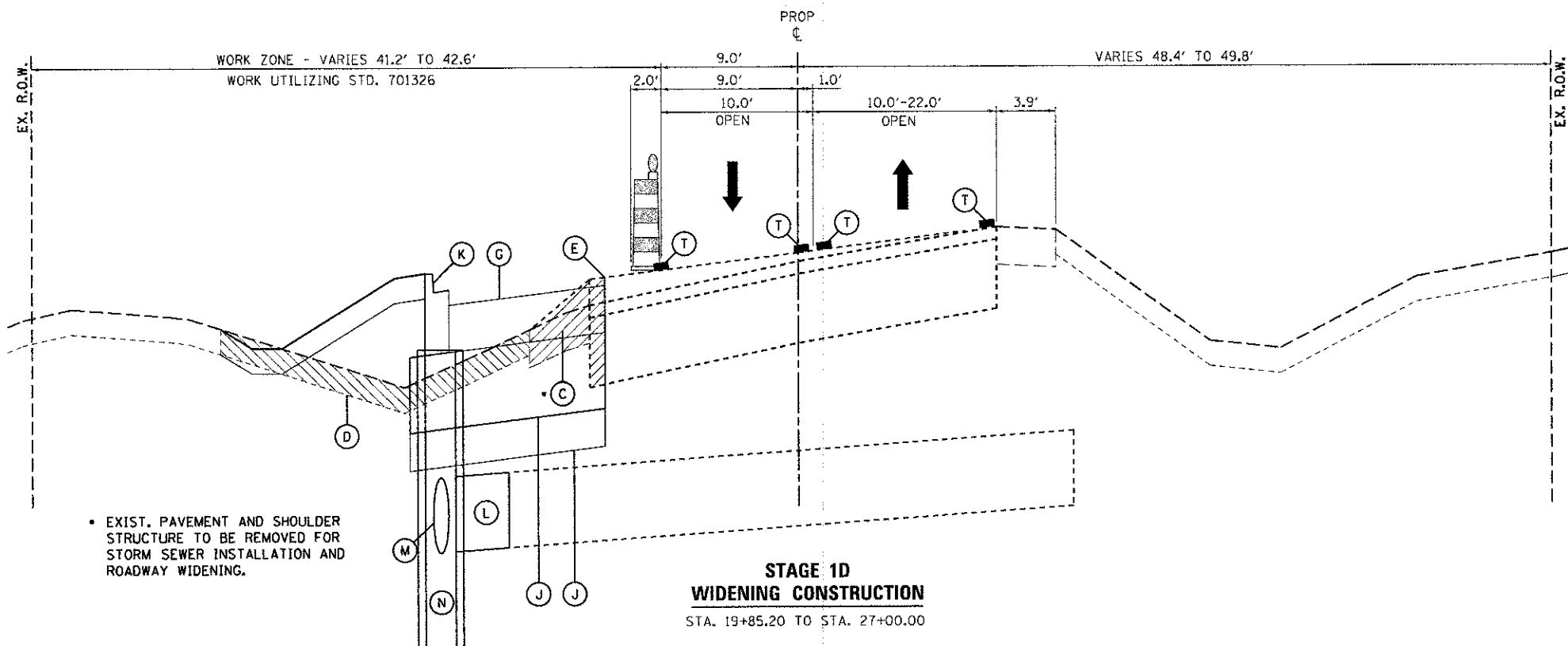
- SET UP STAGE 1D LANE SHIFT AND TRAFFIC CONTROL PLAN FROM STA. 15+86.50 LT. TO STA. 27+00.00 LT. (SEE STAGE 1 MOT PLAN).
- REMOVE PAVEMENT IN WIDENING, CONSTRUCT STORM SEWER, DRAINAGE STRUCTURES AND EMABNKMENT/AGGREGATE SUBGRADE FOR PAVEMENT WIDENING FROM STA. 10+26.17 LT. TO STA. 15+86.5 LT. AND STA. 20+16.16 LT. TO STA. 26+87.47 LT.
- CONSTRUCT CURB AND GUTTERS, BINDER COURSE, AND TEMPORARY SEED FROM STA. 10+26.17 LT. TO STA. 15+86.5 LT. AND STA. 20+16.16 LT. TO STA. 26+87.47 LT.
- WIDENING WORK TO BE COMPLETED UNDER TRAFFIC CONTROL STANDARD 701326.



**STAGE 1D
WIDENING CONSTRUCTION**
STA. 10+26.17 TO STA. 15+86.50

LEGEND

- (A) EXIST. PAVEMENT STRUCTURE
- (B) EXIST. SHOULDER STRUCTURE
- (C) EXIST. PAVEMENT AND SHOULDER STRUCTURE - TO BE REMOVED
- (D) EXIST. TOPSOIL - TO BE REMOVED
- (E) SAWCUT - FULL DEPTH
- (F) PROP. HMA BINDER COURSE, DEPTH VARIES
- (G) PROP. HMA BINDER COURSE
- (H) PROP. HMA SURFACE COURSE
- (I) PROP. HMA MULTI-USE PATH/AGGREGATE BASE COURSE
- (J) PROP. AGGREGATE SUBGRADE IMPROVEMENT
- (K) PROP. CONCRETE CURB AND GUTTER
- (L) PROP. STORM SEWER LATERAL
- (M) PROP. STORM SEWER TRUNK LINE
- (N) PROP. STORM SEWER STRUCTURE
- (O) PROP. STRUCTURAL EMBANKMENT
- (P) HMA SURFACE REMOVAL (MILLING)
- (Q) TEMPORARY PAVEMENT PATCH, 2" W/ AGGREGATE BASE COURSE, 9"
- (R) PERMANENT CLASS D PATCH, 11"
- (S) AGGREGATE WEDGE SHOULDER, TYPE B
- (T) TEMPORARY PAVEMENT MARKING LINE
- (U) SHORT-TERM PAVEMENT MARKINGS
- (V) AGGREGATE SHOULDER (SPECIAL)
- (W) EXISTING STRIPING TO REMIAN



**STAGE 1D
WIDENING CONSTRUCTION**
STA. 19+85.20 TO STA. 27+00.00

PAVEMENT MARKING NOTE:

ONLY TEMPORARY PAVEMENT MARKING TAPE WILL BE USED ON EXISTING PAVEMENT PAST THE PROPOSED PAVING LIMITS AND FINAL SURFACE COURSES.

FILE NAME: MAP:\projects\2012\120155_Bathany\Stg3\CADD\Civil\Drawn\Shft\K01-TYP1.dgn

USER NAME = ngarris	DESIGNED - SPB	REVISED -
PLOT SCALE = 1/5	DRAWN - NDP	REVISED -
PLOT DATE = 12/28/2012	CHECKED - DBP	REVISED -
	DATE - 12/21/12	REVISED -

F.A.U. RTE.	SECTION	COUNTY	TOTAL SHEETS	SHEET NO.
5355	10-00167-01-WR	DEKALB	78	30
CONTRACT NO. 87544			ILLINOIS FED. AID PROJECT	