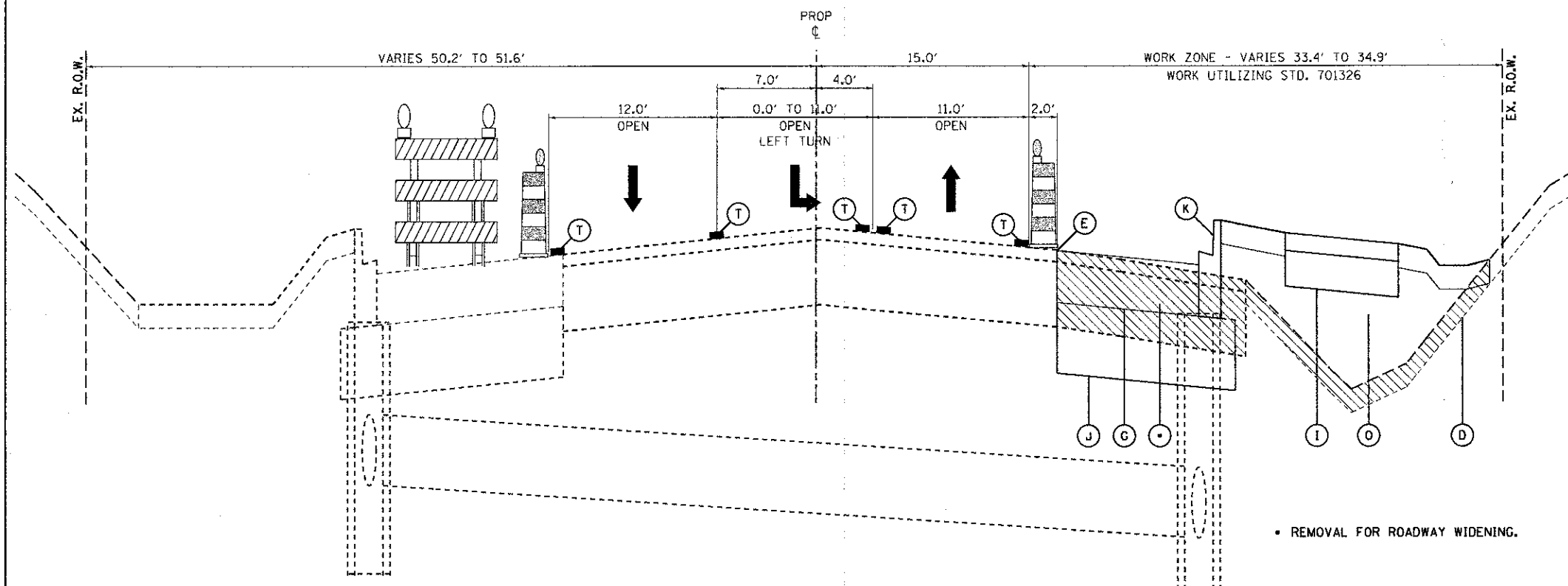


STAGING TYPICAL SECTIONS

STAGE 2

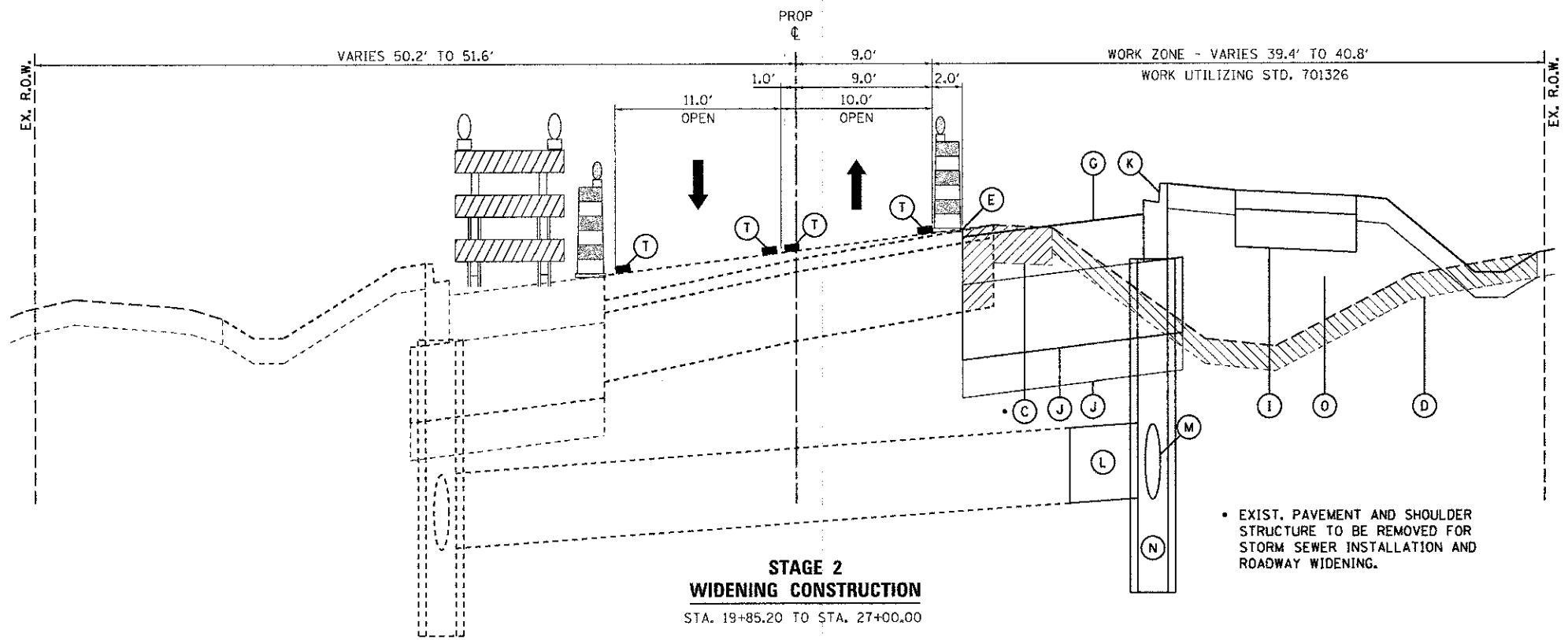
- SET UP STAGE 2 LANE SHIFT AND TRAFFIC CONTROL PLAN FROM STA. 15+86.50 RT. TO STA. 27+00.00 RT. (SEE STAGE 1 MOT PLAN).
- REMOVE PAVEMENT IN WIDENING, CONSTRUCT DRAINAGE STRUCTURES AND EMABNKMENT/AGGREGATE SUBGRADE FOR PAVEMENT WIDENING FROM STA. 15+86.50 RT. TO STA. 26+87.47 RT.
- CONSTRUCT CURB AND GUTTERS, BINDER COURSE, HMA BIKE PATH/BASE COURSE AND TEMPORARY SEED FROM STA. 10+26.17 RT. TO STA. 15+86.50 RT. AND STA. 20+16.16 RT. TO STA. 26+87.47 RT.
- WIDENING WORK TO BE COMPLETED UNDER TRAFFIC CONTROL STANDARD 701326.



**STAGE 2
WIDENING CONSTRUCTION**
STA. 10+26.17 TO STA. 15+86.50

LEGEND

- (A) EXIST. PAVEMENT STRUCTURE
- (B) EXIST. SHOULDER STRUCTURE
- (C) EXIST. PAVEMENT AND SHOULDER STRUCTURE - TO BE REMOVED
- (D) EXIST. TOPSOIL - TO BE REMOVED
- (E) SAWCUT - FULL DEPTH
- (F) PROP. HMA BINDER COURSE, DEPTH VARIES
- (G) PROP. HMA BINDER COURSE
- (H) PROP. HMA SURFACE COURSE
- (I) PROP. HMA MULTI-USE PATH/AGGREGATE BASE COURSE
- (J) PROP. AGGREGATE SUBGRADE IMPROVEMENT
- (K) PROP. CONCRETE CURB AND GUTTER
- (L) PROP. STORM SEWER LATERAL
- (M) PROP. STORM SEWER TRUNK LINE
- (N) PROP. STORM SEWER STRUCTURE
- (O) PROP. STRUCTURAL EMBANKMENT
- (P) HMA SURFACE REMOVAL (MILLING)
- (Q) TEMPORARY PAVEMENT PATCH, 2" W/ AGGREGATE BASE COURSE, 9"
- (R) PERMENANT CLASS D PATCH, 11"
- (S) AGGREGATE WEDGE SHOULDER, TYPE B
- (T) TEMPORARY PAVEMENT MARKING LINE
- (U) SHORT-TERM PAVEMENT MARKINGS
- (V) AGGREGATE SHOULDER (SPECIAL)
- (W) EXISTING STRIPING TO REMIAN



**STAGE 2
WIDENING CONSTRUCTION**
STA. 19+85.20 TO STA. 27+00.00

PAVEMENT MARKING NOTE:
ONLY TEMPORARY PAVEMENT MARKING TAPE WILL BE USED ON EXISTING PAVEMENT PAST THE PROPOSED PAVING LIMITS AND FINAL SURFACE COURSES.

FILE NAME = W:\Projects\2012\12185_Berthony\593\KAD0\Civil\Ugr\Sheet\MOT-TYP2.dgn

WILLS BURKE KELSEY ASSOCIATES LTD.
116 West Main Street, Suite 201
St. Charles, Illinois 60174

USER NAME = nporris	DESIGNED - SPB	REVISED -
PLOT SCALE = 1/8"	DRAWN - NDP	REVISED -
PLOT DATE = 12/20/2012	CHECKED - DBP	REVISED -
	DATE - 12/21/12	REVISED -

**STATE OF ILLINOIS
DEPARTMENT OF TRANSPORTATION**

MAINTENANCE OF TRAFFIC TYPICAL SECTIONS - STAGE 2	
SCALE:	SHEET NO. 4 OF 5 SHEETS
STA.	TO STA.

F.A.U. RTE.	SECTION	COUNTY	TOTAL SHEETS	SHEET NO.
5355	10-00167-01-WR	DEKALB	78	31
CONTRACT NO. 87544				
ILLINOIS FED. AID PROJECT				