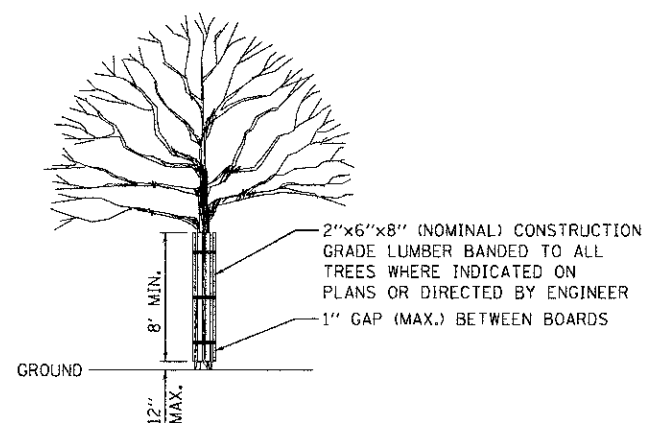
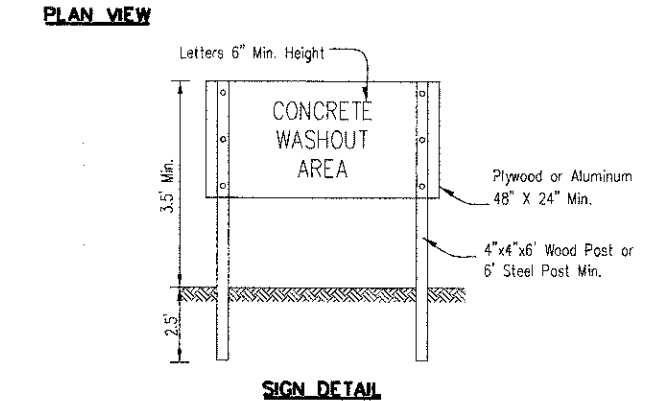


- NOTES:
1. STAPLES SHALL BE PLACED IN A DIAMOND PATTERN AT 2 PER S.Y. FOR STITCHED BLANKETS. NON-STICHED SHALL USE 4 STAPLES PER S.Y. OF MATERIAL. THIS EQUATES TO 200 STAPLES WITH STITCHED BLANKET AND 400 STAPLES WITH NON-STICHED BLANKET PER 100 S.Y. OF MATERIAL.
 2. STAPLE OR PUSH PIN LENGTHS SHALL BE SELECTED BASED ON SOIL TYPE AND CONDITIONS. (MINIMUM STAPLE LENGTH IS 6")
 3. EROSION CONTROL MATERIAL SHALL BE PLACED IN CONTACT WITH THE SOIL OVER A PREPARED SEEDBED.
 4. ALL ANCHOR SLOTS SHALL BE STAPLED AT APPROXIMATELY 12" INTERVALS.

**EROSION CONTROL
BLANKET INSTALLATION DETAILS**

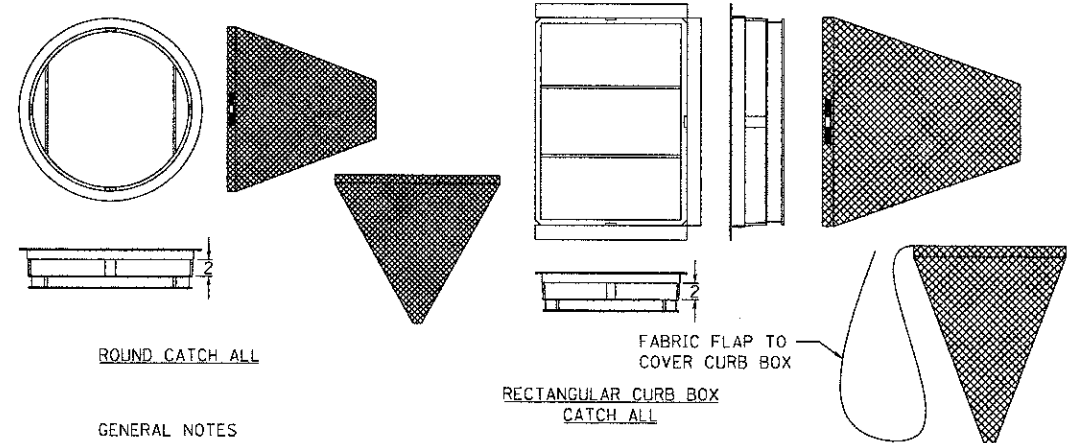


TREE TRUNK PROTECTION



- NOTES:
1. MAINTAINING TEMPORARY CONCRETE WASHOUT FACILITIES SHALL INCLUDE REMOVING AND DISPOSING OF HARDENED CONCRETE AND/OR SLURRY AND RETURNING THE FACILITIES TO A FUNCTIONAL CONDITION.
 2. FACILITY SHALL BE CLEANED OR RECONSTRUCTED IN A NEW AREA ONCE WASHOUT BECOMES TWO-THIRDS FULL.
 3. EACH STRAW BALE IS TO BE STAKED IN PLACE USING (2) 2"x2"x4" WOODEN STAKES.

**TEMPORARY CONCRETE
WASHOUT FACILITY - STRAW BALE**



- GENERAL NOTES
- FRAME: TOP FLANGE FABRICATED FROM 1/4"x1/4"x1/8" ANGLE. BASE RIM FABRICATED FROM 1/2"x1/2"x1/8" CHANNEL. HANDLES AND SUSPENSION BRACKETS FABRICATED FROM 1/4"x1/4" FLAT STOCK. ALL STEEL CONFORMING TO ASTM-A36.
- SEDIMENT BAG: BAG FABRICATED FROM 4 OZ./SQ.YD. NON-WOVEN POLYPROPYLENE GEOTEXTILE REINFORCED WITH POLYESTER MESH. BAG SECURED TO BASE RIM WITH A STAINLESS STEEL BAND AND LOCK.

INLET PROTECTION DETAIL

FILE NAME = W:\Projects\2012\120155_Beaching\53\ACADD\Civil\Ugri\Shk\ERD.dwg

WILLS BURKE KELSEY ASSOCIATES LTD.
116 West Main Street, Suite 201
St. Charles, Illinois 60174

USER NAME = cparriss	DESIGNED - KMA	REVISED -
	DRAWN - NDP	REVISED -
PLOT SCALE = 1:20	CHECKED - DPB	REVISED -
PLOT DATE = 12/20/2012	DATE - 12/21/12	REVISED -

**STATE OF ILLINOIS
DEPARTMENT OF TRANSPORTATION**

SCALE: N/A	SHEET NO. 4 OF 4 SHEETS	STA. TO STA.
------------	-------------------------	--------------

**EROSION CONTROL
& SEEDING DETAILS**

F.A.U. R/E. 5355	SECTION 10-00167-01-WR	COUNTY DEKALB	TOTAL SHEETS 78	SHEET NO. 41
CONTRACT NO. 87544				
[ILLINOIS] FED. AID PROJECT				