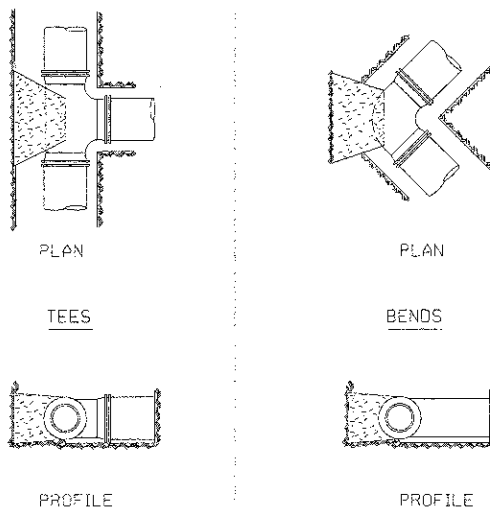
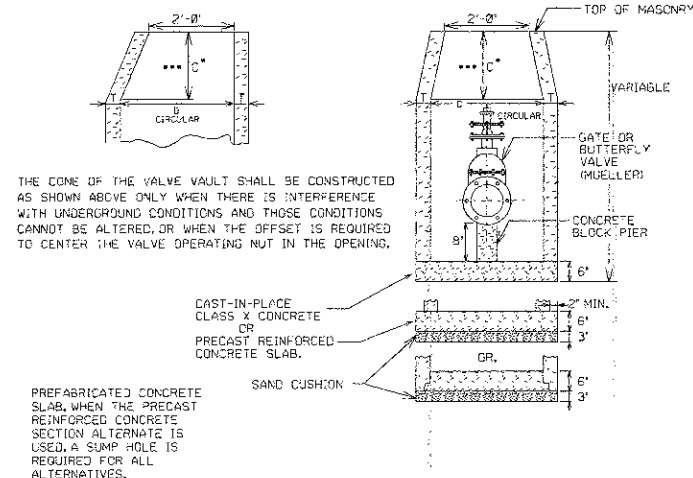


THE COST OF THE PIPE BEDDING SHALL BE INCIDENTAL TO CONSTRUCTION AND INCLUDED IN THE CONTRACT UNIT PRICE PER LINEAL FT. OF THE RESPECTIVE SIZE OF WATER MAIN. BEDDING TO BE USED SHALL BE AS SET FORTH IN THE SPECIAL PROVISIONS.



ALL THRUST BLOCKING SHALL BE SOLID CONCRETE BLOCKS 6"x8"x16" IN SIZE. ALL FITTINGS UP TO 12" IN SIZE SHALL HAVE MIN. DIMENSIONS OF 8"x6" AT THE POINT OF CONTACT WITH UNDISTURBED EARTH. ADDITIONAL THREADED RODS AND RETAINER GLANDS SHALL BE USED IF THE SITUATION REQUIRES THESE. POURED THRUST BLOCKING MUST BE APPROVED BY THE WATER RESOURCES DIVISION.



THE CONE OF THE VALVE VAULT SHALL BE CONSTRUCTED AS SHOWN ABOVE ONLY WHEN THERE IS INTERFERENCE WITH UNDERGROUND CONDITIONS AND THOSE CONDITIONS CANNOT BE ALTERED, OR WHEN THE OFFSET IS REQUIRED TO CENTER THE VALVE OPERATING NUT IN THE OPENING.

PRECAST REINFORCED CONCRETE SECTION ALTERNATE IS REQUIRED FOR ALL ALTERNATIVES.

ALTERNATE MATERIALS FOR WALLS	D	C	T
CONCRETE MASONRY UNITS	4'-0"	2'-6"	3'
CAST-IN-PLACE CONCRETE	4'-0"	2'-6"	3'
PRECAST REINFORCED CONCRETE SECTIONS	4'-0"	2'-6"	3'

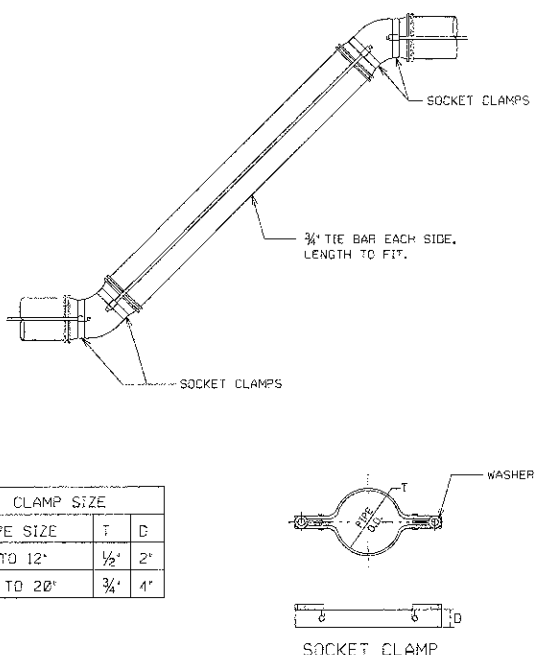
DIA. OF WATER MAIN	DIA.
8 INCHES AND UNDER	4'-0"
8 INCHES TO 14 INCHES	5'-0"
16 INCHES AND OVER	6'-0"

NOTES:  
 THE VALVE VAULT SHALL BE CONSTRUCTED SO AS TO CENTER THE VALVE OPERATING NUT UNDER THE VAULT OPENING.  
 DIMENSION 'C' FOR PRECAST REINFORCED CONCRETE SECTIONS MAY VARY FROM THE DIMENSION GIVEN TO PLUS 6 INCHES.  
 FOR OPTIONAL PRECAST REINFORCED CONCRETE FLAT TOP SLAB, REFER TO STANDARD WM-385.  
 WHERE THE WATERMAIN PASSED THROUGH THE VAULT WALL, THE WATERMAIN SHALL BE WRAPPED WITH 4 DOUBLE THICKNESS OF #15 ROOFING FELT.

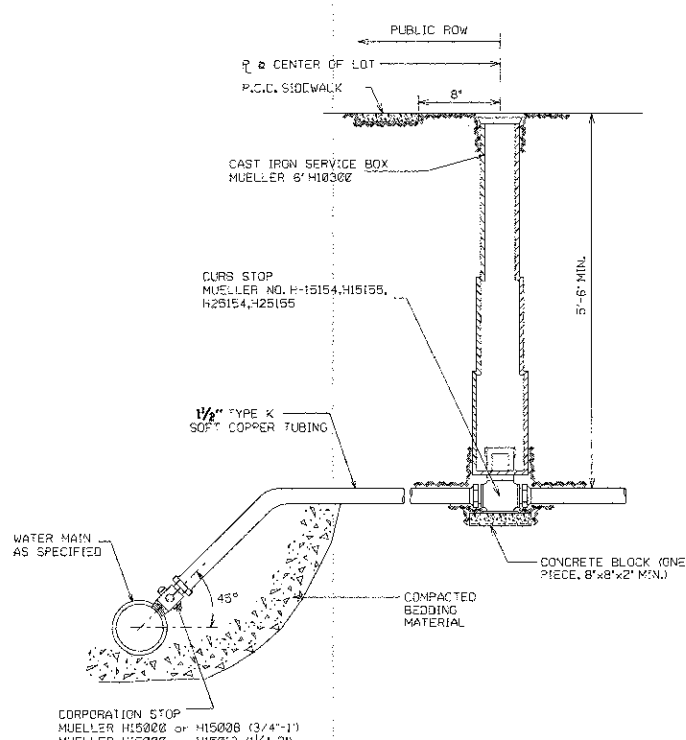
STANDARD DETAIL FOR WATER MAIN BEDDING  
 REVISIONS FOR 1/15/03  
 CITY OF DEKALB WATER MAIN STANDARD WM-300

STANDARD DETAIL FOR WATER MAIN THRUST BLOCKING  
 REVISIONS FOR 1/15/04  
 CITY OF DEKALB WATER MAIN STANDARD WM-301

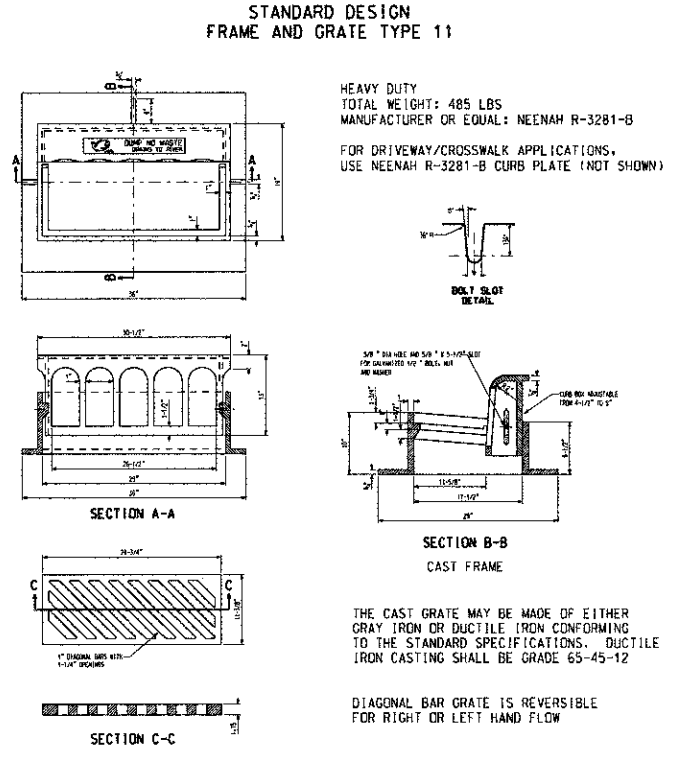
STANDARD DETAIL FOR VALVE VAULTS, TYPE A  
 REVISIONS FOR 1/15/04  
 CITY OF DEKALB WATER MAIN STANDARD WM-303



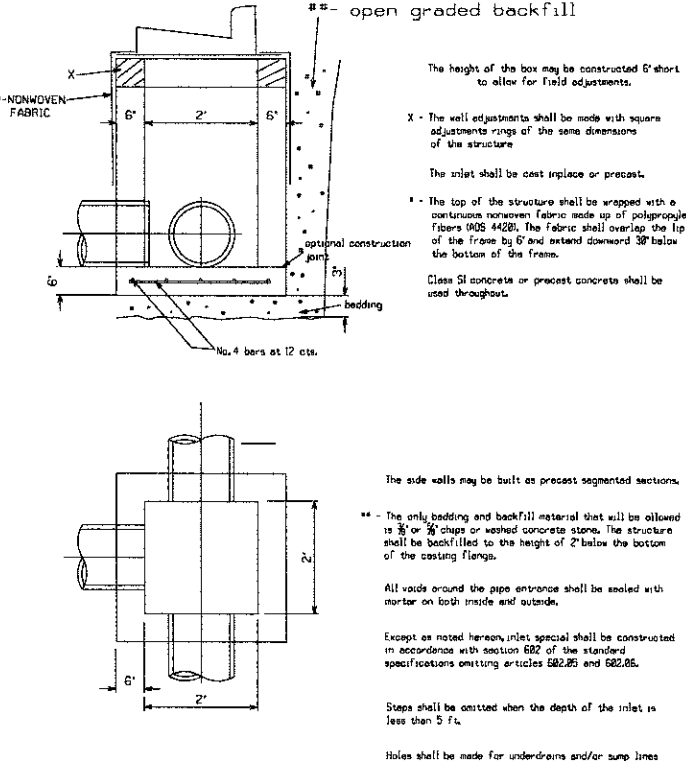
ALL COMPONENTS OF THE TIE BARS AND CLAMPS SHALL BE GALVANIZED OR OTHERWISE RUST-PROOFED AS APPROVED BY THE ENGINEER.



STANDARD DETAIL FOR HOUSE WATER SERVICE  
 REVISIONS FOR 1/15/04  
 CITY OF DEKALB WATER MAIN STANDARD WM-312



STANDARD DETAIL FOR BARRIER CURB FRAME AND GRATE (STATE TYPE 11)  
 REVISIONS 01-08-01 CEN  
 CITY OF DEKALB STORM SEWER STANDARD SS-206



STANDARD DETAIL FOR INLET SPECIAL  
 REVISIONS 03/30/01 MCB  
 CITY OF DEKALB STORM SEWER STANDARD SS-208

FILE NAME: W:\Projects\2012\120155 Bethon\Sigs\CAQ\01\Civil\Drawn\Sheet\3.dgn

WILLS BURKE KELSEY ASSOCIATES LTD.  
 116 West Main Street, Suite 201  
 St. Charles, Illinois 60174

USER NAME = npperris	DESIGNED -	REVISED -
PLDT SCALE = 1:20	DRAWN - NDP	REVISED -
PLDT DATE = 12/20/2012	CHECKED - DPB	REVISED -
	DATE - 12/21/12	REVISED -

STATE OF ILLINOIS  
 DEPARTMENT OF TRANSPORTATION

UTILITY DETAILS  
 SCALE: SHEET NO. 3 OF 3 SHEETS STA. TO STA.

F.A.U. RTE. 5355	SECTION 10-00167-01-WR	COUNTY DEKALB	TOTAL SHEETS 78	SHEET NO. 56
CONTRACT NO. 87544				
ILLINOIS FED. AID PROJECT				