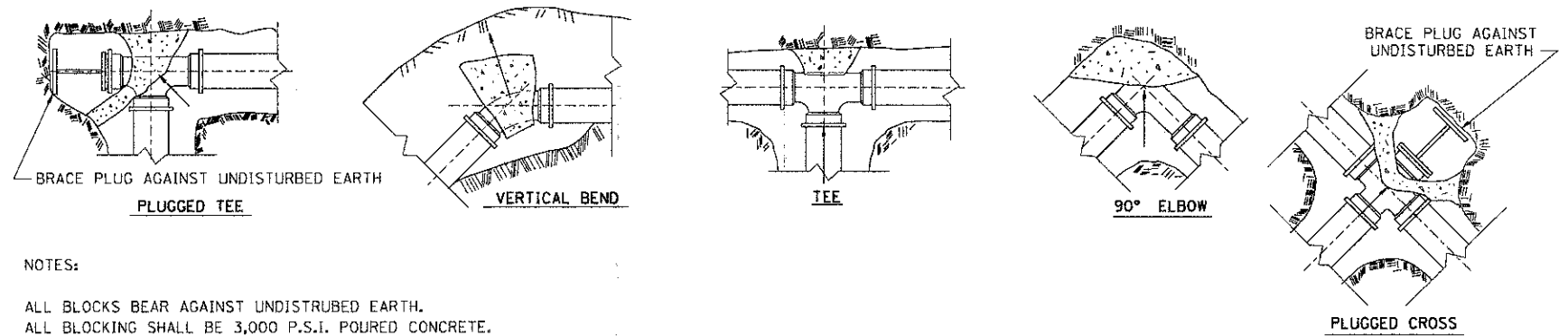


NOTE:
WHEN MILLING OPERATIONS PRODUCE A ROUNDED EDGE, THEN A SAW CUT SHALL BE USED TO MANUFACTURE A PERPENDICULAR EDGE AS SHOWN IN THE DETAIL. THE ENGINEER SHALL BE THE SOLE JUDGE CONCERNING THE USE OF THIS DETAIL

HMA DETAIL AT BUTT JOINTS

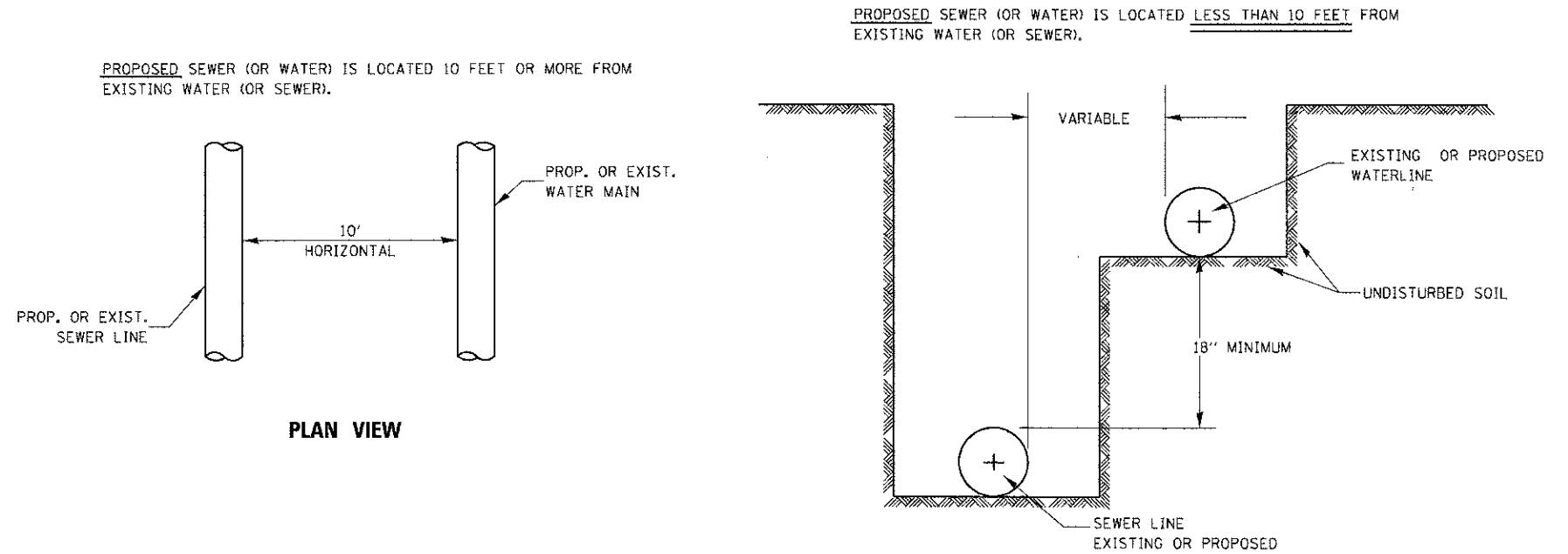
406-8



NOTES:
ALL BLOCKS BEAR AGAINST UNDISTURBED EARTH.
ALL BLOCKING SHALL BE 3,000 P.S.I. POURED CONCRETE.
ARROWS INDICATE DIRECTION OF THRUST.
ALL FITTINGS SHOWN IN PLAN EXCEPT VERTICAL BEND.

TYPICAL THRUST BLOCK INSTALLATIONS

561-5



WATER AND SEWER SEPARATION REQUIREMENTS – HORIZONTAL SEPARATION

563-3

FILE NAME = \\s:\projects\2012\120195 - Becheny\53\CD00\Civil\1\Drawings\406-8.dwg

WILLS BURKE KELSEY ASSOCIATES LTD.
116 West Main Street, Suite 201
St. Charles, Illinois 60174

USER NAME = nparris	DESIGNED -	REVISED -
PLOT SCALE = 1:200	DRAWN - NDP	REVISED -
PLOT DATE = 12/20/2012	CHECKED - DPB	REVISED -
	DATE - 12/21/12	REVISED -

**STATE OF ILLINOIS
DEPARTMENT OF TRANSPORTATION**

DISTRICT 3 STANDARD DETAILS

SCALE: SHEET NO. 1 OF 5 SHEETS STA. TO STA.

F.A.J. RTE.	SECTION	COUNTY	TOTAL SHEETS	SHEET NO.
5355	10-00167-01-WR	DEKALB	78	57
CONTRACT NO. 87544				
ILLINOIS FED. AID PROJECT				