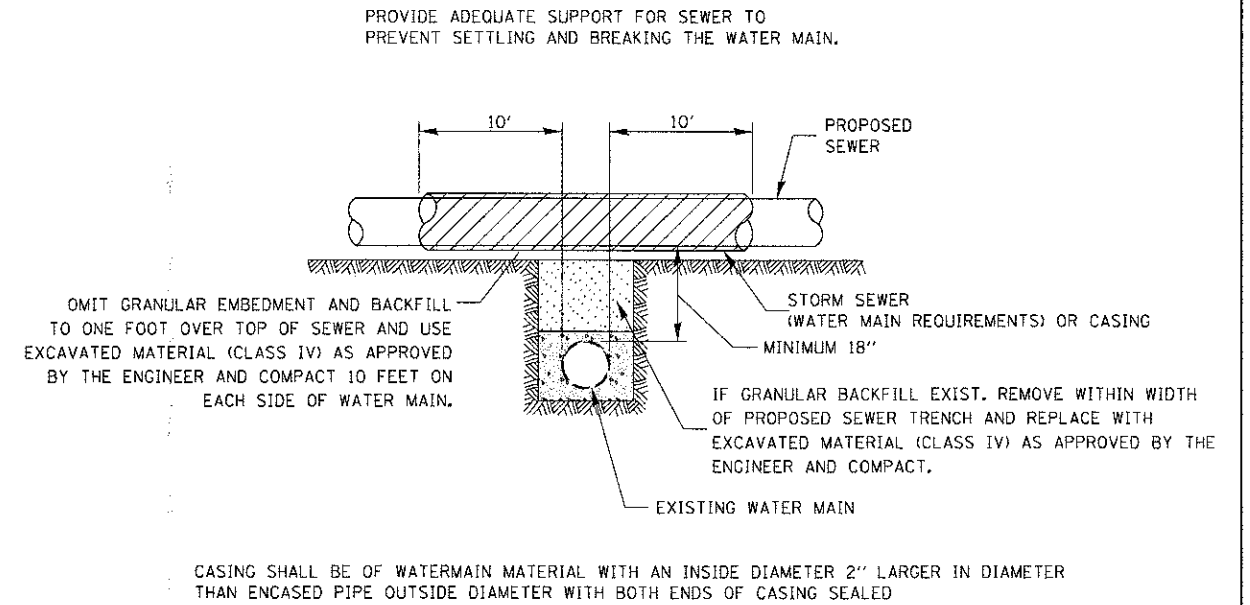


ELEVATION - ECCENTRIC

ELEVATION - CONCENTRIC

CASING SHALL BE CAST IRON WITH AN INSIDE DIAMETER 2" LARGER IN DIAMETER THAN ENCASED PIPE OUTSIDE DIAMETER WITH BOTH ENDS OF CASING SEALED

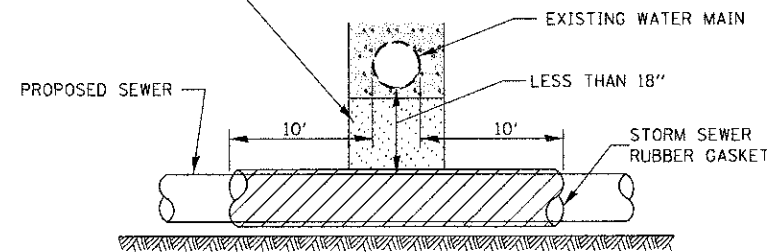
AT GRADE CROSSING OF SANITARY AND STORM SEWER



PROPOSED SEWER LINE WITH MINIMUM 18" VERTICAL SEPARATION ABOVE EXISTING WATERMAIN

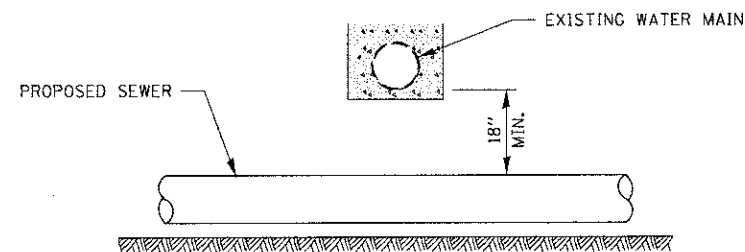
POINT LOADS SHALL NOT BE ALLOWED BETWEEN SEWER OR SEWER CASING AND WATER MAIN
 PROVIDE ADEQUATE SUPPORT FOR EXISTING WATER MAIN TO PREVENT DAMAGE DUE TO SETTLEMENT OF SEWER TRENCH

OMIT GRANULAR EMBEDMENT AND BACKFILL TO ONE FOOT OVER TOP OF SEWER AND USE EXCAVATED MATERIAL (CLASS IV) AS APPROVED BY THE ENGINEER AND COMPACT 10 FEET ON EACH SIDE OF WATER MAIN.



PROVIDE ADEQUATE SUPPORT FOR EXISTING WATER MAIN TO PREVENT DAMAGE DUE TO SETTLEMENT OF SEWER TRENCH

MAINTAIN 18" MINIMUM VERTICAL SEPARATION FOR 10' HORIZONTALLY

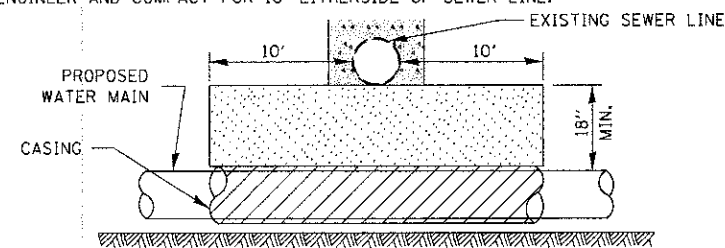


PROPOSED SEWER LINE BELOW EXISTING WATER MAIN

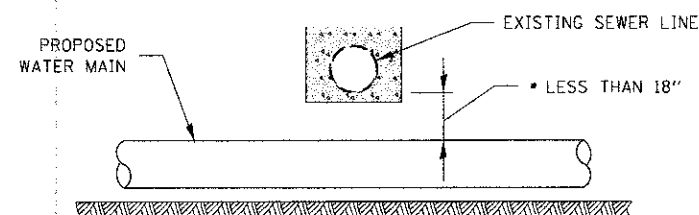
PROVIDE ADEQUATE SUPPORT FOR EXISTING SEWER LINE TO PREVENT DAMAGE DUE TO SETTLEMENT.

IF GRANULAR BACK FILL EXISTS, REMOVE WITHIN WIDTH OF EXISTING SEWER TRENCH AND REPLACE WITH EXCAVATED MATERIAL (CLASS IV) AS APPROVED BY THE ENGINEER AND COMPACT.

OMIT GRANULAR EMBEDMENT AND BACKFILL TO ONE FOOT OVER TOP OF WATER MAIN AND USE EXCAVATED MATERIAL (CLASS IV) AS APPROVED BY THE ENGINEER AND COMPACT FOR 10' EITERSIDE OF SEWER LINE.



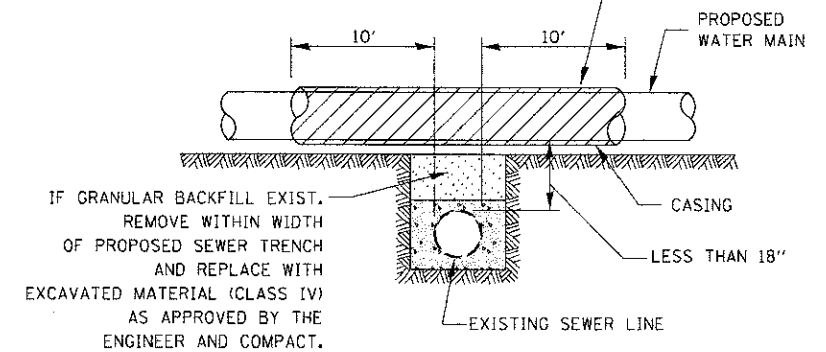
CASING SHALL BE OF WATER MAIN MATERIAL WITH AN INSIDE DIAMETER 2" LARGER IN DIAMETER THAN ENCASED PIPE OUTSIDE DIAMETER WITH BOTH ENDS OF CASING SEALED



PROPOSED WATER MAIN BELOW EXISTING SEWER LINE

POINT LOADS SHALL NOT BE ALLOWED BETWEEN WATER MAIN CASING AND SEWER

OMIT GRANULAR EMBEDMENT AND BACKFILL TO ONE FOOT OVER TOP OF SEWER AND USE EXCAVATED MATERIAL (CLASS IV) AS APPROVED BY THE ENGINEER AND COMPACT 10 FEET ON EACH SIDE OF WATER MAIN.



IF GRANULAR BACKFILL EXIST. REMOVE WITHIN WIDTH OF PROPOSED SEWER TRENCH AND REPLACE WITH EXCAVATED MATERIAL (CLASS IV) AS APPROVED BY THE ENGINEER AND COMPACT.

CASING SHALL BE OF WATERMAIN MATERIAL WITH AN INSIDE DIAMETER 2" LARGER IN DIAMETER THAN ENCASED PIPE OUTSIDE DIAMETER WITH BOTH ENDS OF CASING SEALED

PROPOSED WATER MAIN ABOVE EXISTING SEWER LINE

FILE NAME = W:\Projects\2012\120156_BePhong\563\040D\Civil\Dgn\Sho\03-DT.dwg

USER NAME = nperris	DESIGNED -	REVISED -
PLOT SCALE = 1/4"=1'-0"	DRAWN - NDP	REVISED -
PLOT DATE = 12/20/2012	CHECKED - DPB	REVISED -
	DATE - 12/21/12	REVISED -

F.A.U. RTE.	SECTION	COUNTY	TOTAL SHEETS	SHEET NO.
5355	10-00167-01-WR	DEKALB	78	58
CONTRACT NO. 87544				
ILLINOIS FED. AID PROJECT				