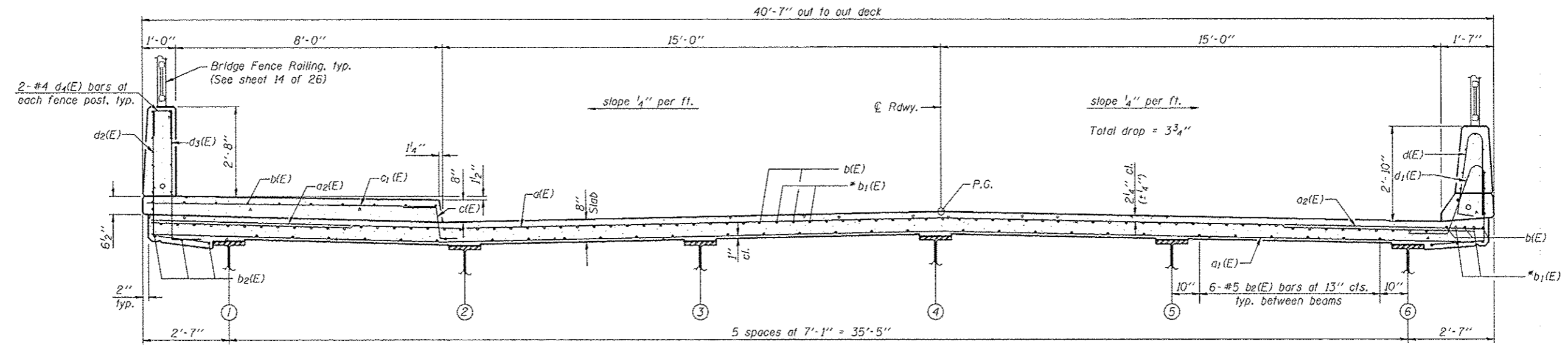


PLAN



CROSS SECTION
(Looking North)

FILE NAME : 048663-89625-027-Super.dgn	USER NAME : batwanson	DESIGNED - LVM	REVISED -		SUPERSTRUCTURE STRUCTURE NO. 048-6063 SHEET NO. 7 OF 26 SHEETS	M.S.	SECTION	COUNTY	TOTAL SHEETS	SHEET NO.	
MAURER-STUTZ ENGINEERS SURVEYORS	PLOT SCALE :	CHECKED - BAS	REVISED -			661	07-00651-03-BR	KNOX	67	35	
PLOT DATE : 1/3/2013		DRAWN - SCM	REVISED -			CONTRACT NO. 89625					
		CHECKED - BAS	REVISED -			[ILLINOIS]					