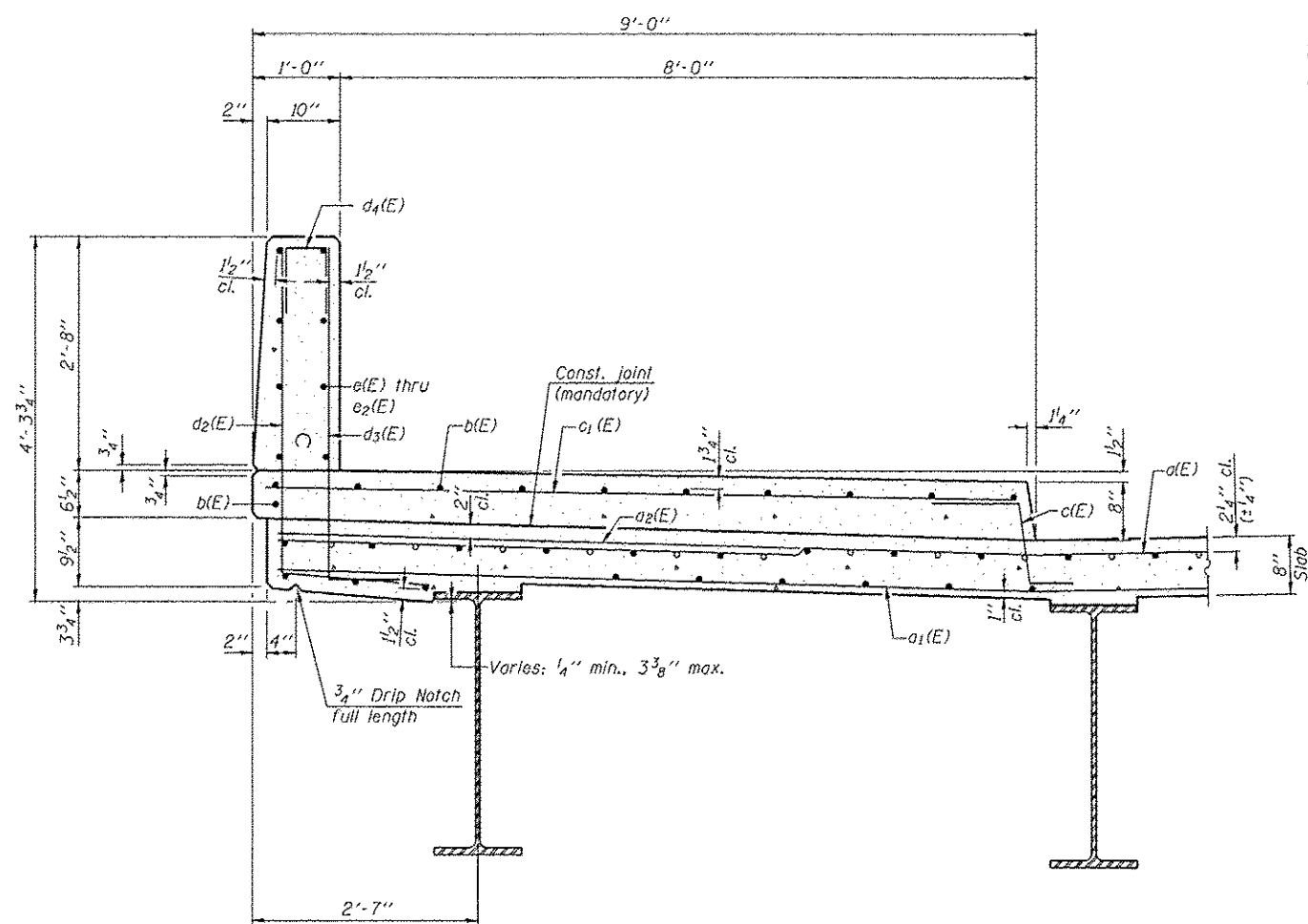
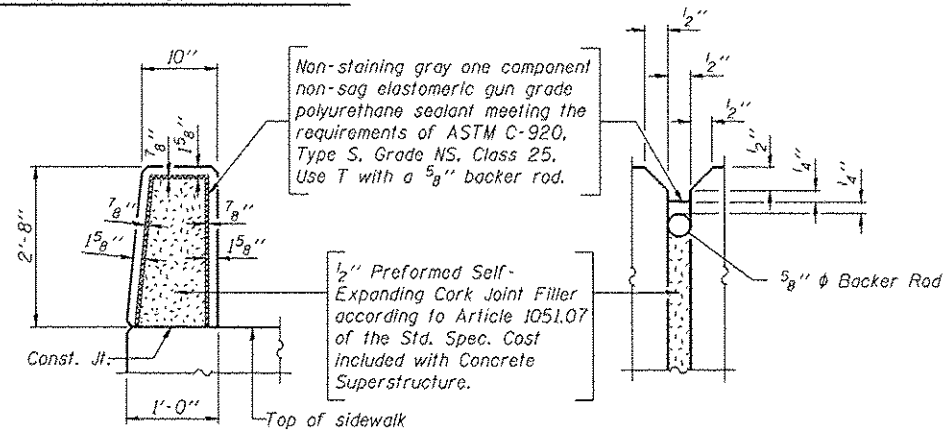


INSIDE ELEVATION OF WEST PARAPET

See Electrical Drawings for continuation, typ.

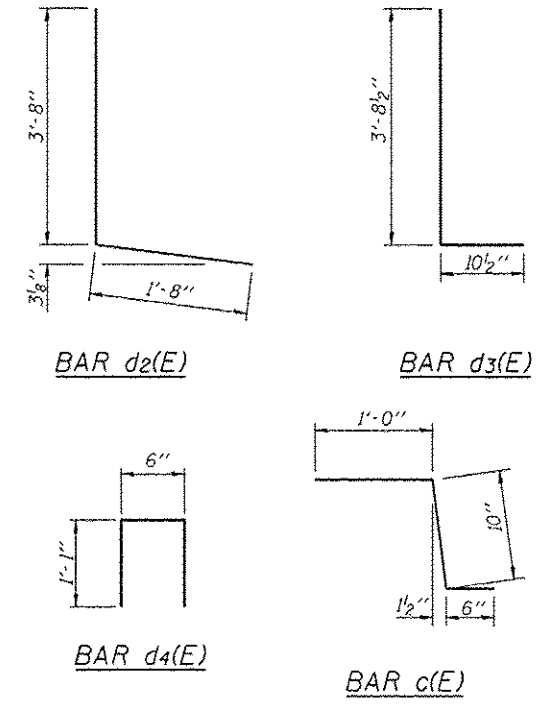


SECTION THRU SIDEWALK



PARAPET JOINT DETAILS

(West Parapet)



Note:
Bars indicated thus 1 x 2-#5 etc. indicates 1 line of bars with 3 lengths per line.
See sheet 11 of 26 for Bill of Material.

FILE NAME 0486063-89625-887-Super.dgn	USER NAME lusew@son	DESIGNED - LVM	REVISD -	<p>CITY OF GALESBURG</p>	SUPERSTRUCTURE DETAILS		M.S.	SECTION	COUNTY	TOTAL SHEETS	SHEET NO.
MAURER-STUTZ ENGINEERS SURVEYORS	PLOT SCALE	CHECKED - BAS	REVISD -		651	07-00651-03-BR	KNOX	67	37	CONTRACT NO. 89625	
	PLOT DATE - 1/3/2013	DRAWN - SCM	REVISD -		SHEET NO. 9 OF 26 SHEETS		ILLINOIS				
		CHECKED - BAS	REVISD -								