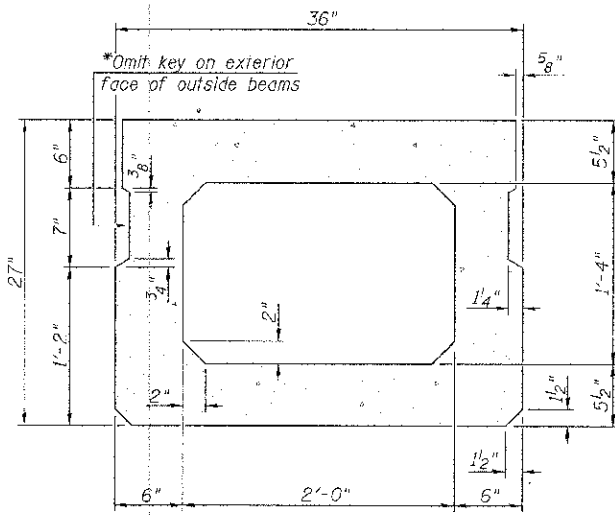
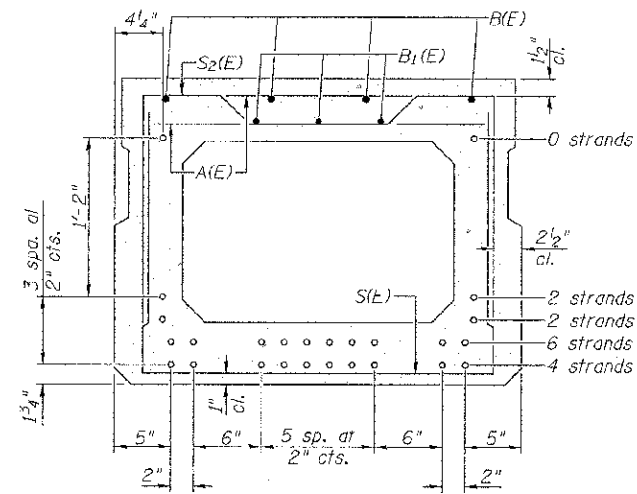


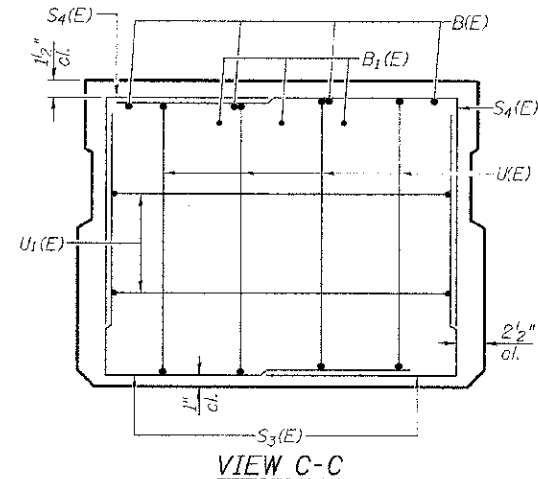
SECTION A-A



SECTION B-B  
(Showing dimensions)



SECTION B-B  
(Showing reinforcement and permissible strand locations)



VIEW C-C

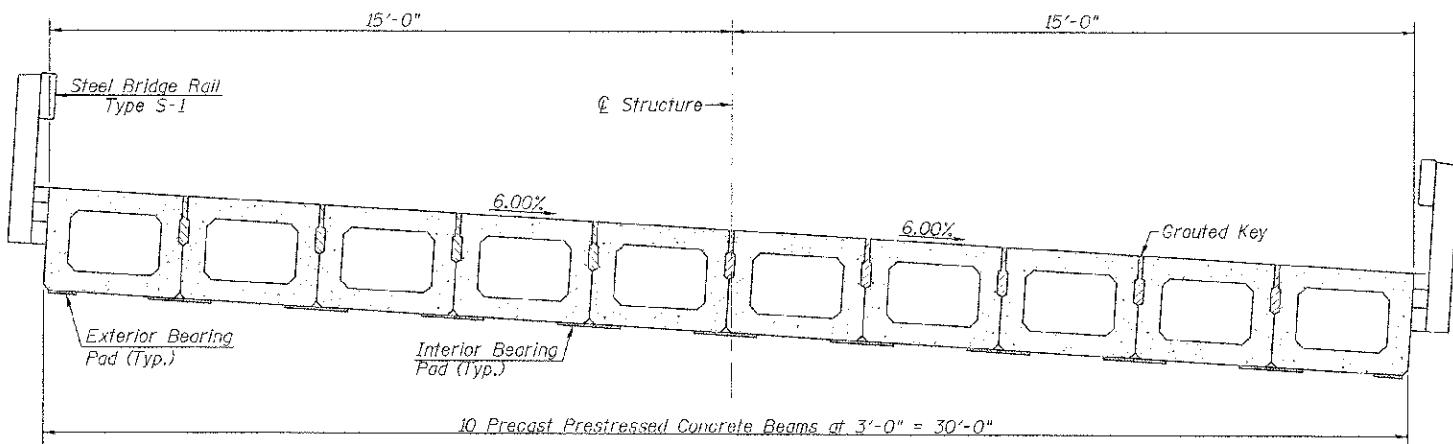
Note: Spacing of S1(E) and S2(E) bars may be adjusted up to 4" in the immediate area of the transverse tie diaphragms to miss the block outs for the transverse ties.

**MINIMUM BAR LAP**  
 #4 bar = 2'-0"  
 #5 bar = 2'-6"

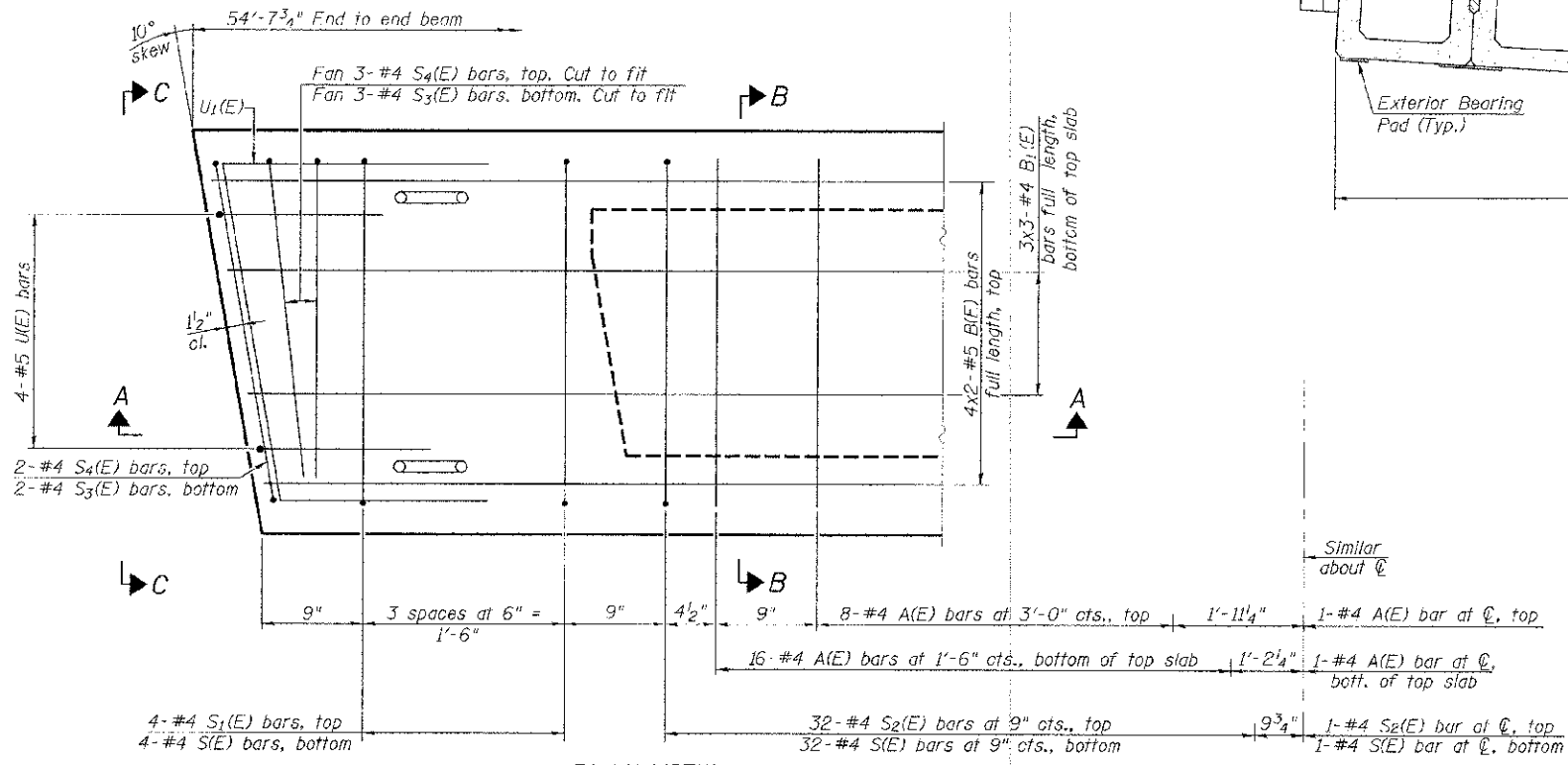
\* Rail post anchor devices to be cast into exterior face of outside beams.

Note: Place the number of strands specified in each row symmetrically about the centerline of beam in the permissible strand locations shown.

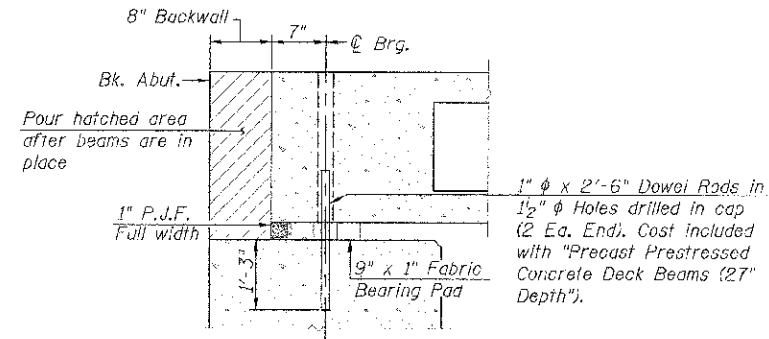
Notes: After beams have been erected, holes shall be drilled into substructure and anchor dowels placed. Dowel holes shall be filled with non-shrink grout to top of beam and allowed to cure min. 24 hrs. prior to grouting the shear keys. All horizontal dimensions are at right angles to beam ends.



CROSS SECTION  
(Looking East)



PLAN VIEW



SECTION THRU ABUTMENT  
(At Right Angles)

**BAR LIST**  
ONE BEAM ONLY  
(For information only)

Bar	No.	Size	Length	Shape
A(E)	50	#4	2'-7"	—
B(E)	8	#5	28'-7"	—
B1(E)	9	#4	20'-3"	—
S(E)	73	#4	6'-5"	—
S1(E)	8	#4	5'-11"	—
S2(E)	65	#4	6'-2"	—
S3(E)	10	#4	4'-6"	—
S4(E)	10	#4	4'-3"	—
U(E)	8	#5	4'-6"	—
U1(E)	4	#4	5'-6"	—

Note: See sheet 7 of 18 for additional details and Bill of Material. Bars indicated thus 4x2-#5 etc. indicates 4 lines of bars with 2 lengths per line. Reinforcement designated (E) to be epoxy coated.

PD-2736-R

7-1-10

DESIGNED	CHECKED	DRAWN	CHECKED
REVISIONS	REVISIONS	REVISIONS	REVISIONS

**Allen Henderson & Associates, Inc.**  
 Civil and Structural Engineers  
 Springfield, IL 62703  
 Phone: (217) 544-8033  
 IL Design Firm No. 184-001907

**27" x 36" PPC DECK BEAM**  
**STRUCTURE NO. 065-3128**

C.H. RTE.	SECTION	COUNTY	TOTAL SHEETS	SHEET NO.
1	11-00064-00-BR	MENARD	18	6
SHEET NO. 2 OF 7 SHEETS			CONTRACT NO. 93586	

ILLINOIS FED. AID PROJECT