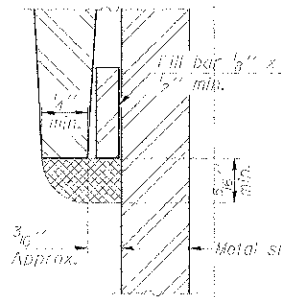


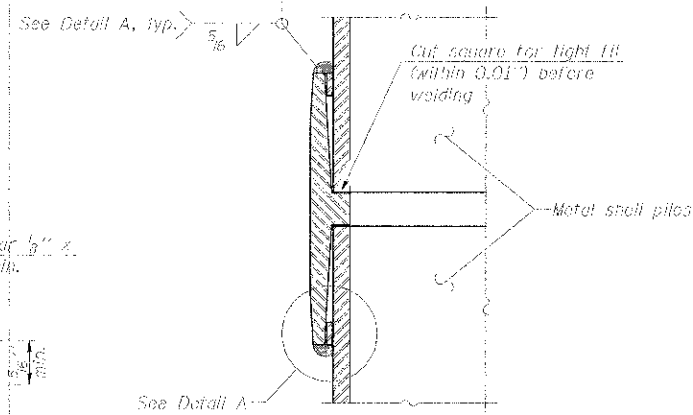


METAL SHELL PILE TABLE

Designation and outside diameter	Wall thickness	Weight per foot (Lbs./ft.)	Inside volume (yd. ³ /ft.)
PP12	0.173"	22.60	0.0274
PP12	0.250"	31.37	0.0267
PP14	0.250"	36.71	0.0358
PP14	0.312"	45.61	0.0361

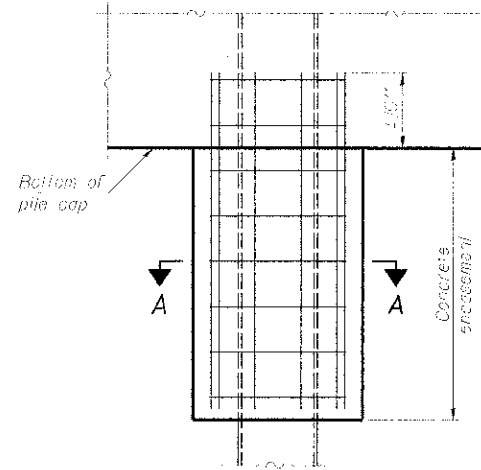


DETAIL A

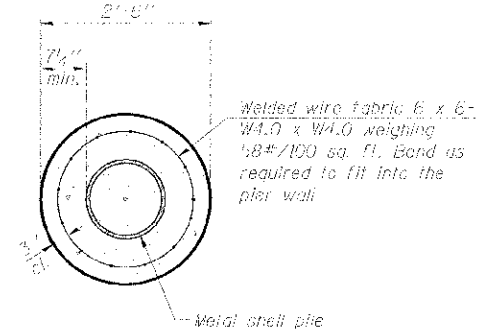


Notes:
 The 1/2" x 1/2" min. fill bar may be constructed of 2 bars with a 1/8" max. gap between them.
 Pile segments shall be driven to solid contact with splicer before welding.

WELDED COMMERCIAL SPLICE



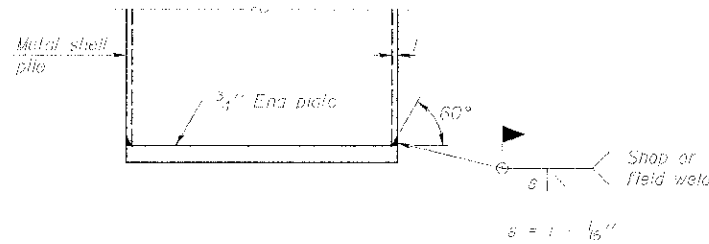
ELEVATION



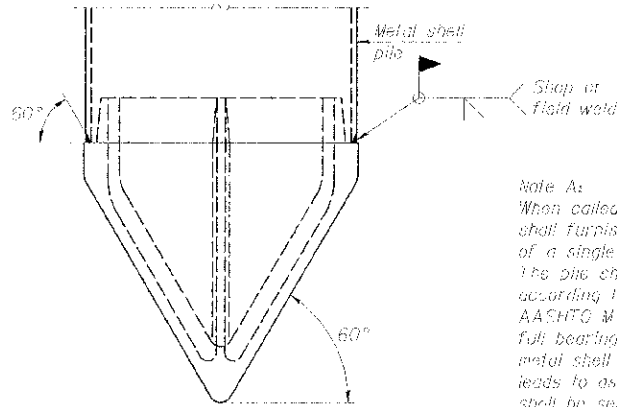
SECTION A-A

Note:
 Forms for encasement may be omitted when soil conditions permit.

CONCRETE ENCASEMENT AT PIERS



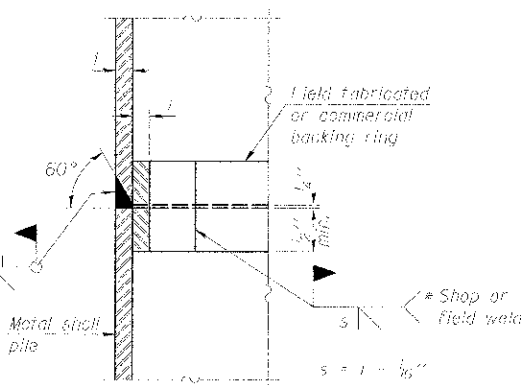
END PLATE ATTACHMENT



Note A:
 When called for on the plans, the Contractor shall furnish metal shell pile shoes consisting of a single piece conical pile point as shown. The pile shoes shall be cast in one piece step according to either ASTM A 148 Grade 90-60 or AASHTO M 103 Grade 65-35 and shall provide full bearing over the full circumference of the metal shell pile. The pile shoe shall have tapered leads to assure proper alignment and fitting and shall be secured to the pile with a circumferential weld.

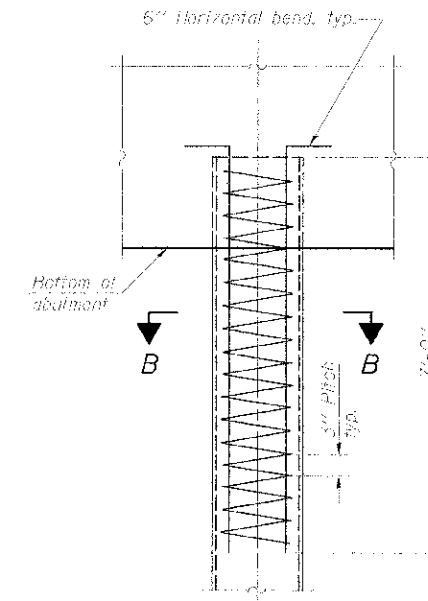
METAL SHELL PILE SHOE ATTACHMENT

(See Note A)

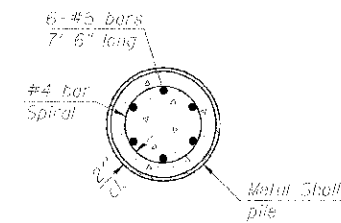


COMPLETE PENETRATION WELD SPLICE

* Field fabricated backing ring may be made from pile shell by removing segment to allow retreating circumferential and vertically rejoin with partial joint penetration weld.



ELEVATION



SECTION B-B

METAL SHELL REINFORCEMENT AT ABUTMENTS

(Included in cost of metal shell piles.)

Note:
 The metal shell piles shall be according to ASTM A 252 Grade 3.

F-MS

1-27-12

DESIGNED	REVISOR	Allen Henderson & Associates, Inc. Civil and Structural Engineers Springfield, IL 62703 Phone: (217)544-8033 IL Design Firm No. 184-001907	METAL SHELL PILE DETAILS		COUNTY TOTAL SHEETS SHEET NO. MENARD 18 11 CONTRACT NO. 93586
CHECKED	REVISOR		STRUCTURE NO. 065-3128		
DRAWN	REVISOR		SHEET NO. 7 OF 7 SHEETS		
CHECKED	REVISOR		ILLINOIS FED. AID PROJECT		