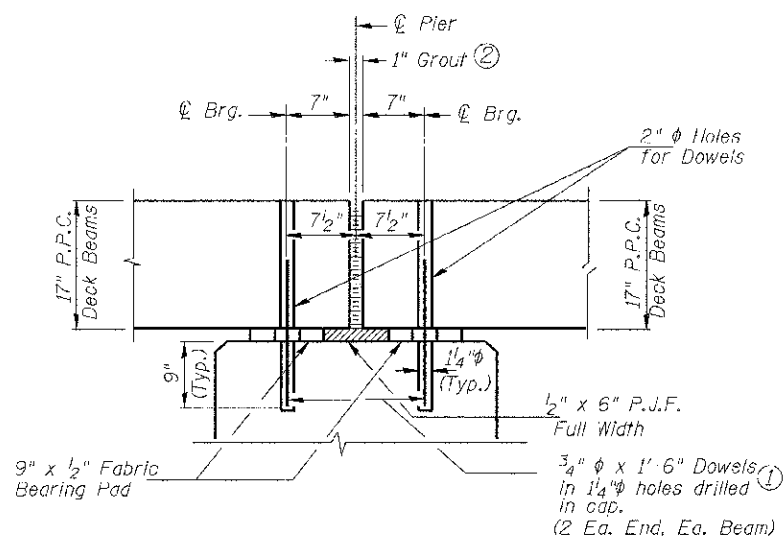
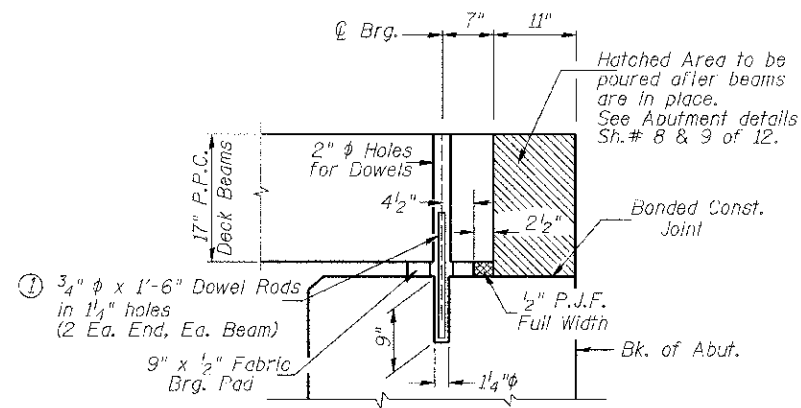


RAIL POST SPACING



SECTION THRU PIERS
(At Right Angles)



SECTION THRU ABUTMENTS
(At Right Angles)

- ① Dowel Rods to be grouted after beams are in place and allowed to cure (Min. 24 hr.) prior to grouting the shear keys.
- ② 1" Joint shall be packed with a very dry mix of 2:1 sand and P.C. mortar. 1" Dimension may vary plus or minus to accommodate tolerance in beam lengths.

RAIL POST SPACING AND
SUPERSTRUCTURE DETAILS
BROWN COUNTY
SECTION 10-04118-00-BR
T.R. 141 OVER WELLS FORK

SHEET NO. 7 12 SHEETS	ROUTE NO.	SECTION	COUNTY	TOTAL SHEETS	SHEET NO.
	TR 141	10-04118-00-BR	BROWN	24	13
S.N. 005-3407			CONTRACT NO. 93588		
FED. ROAD DIST. NO. 7 ILLINOIS			FED. AID PROJECT BROS-0009221		