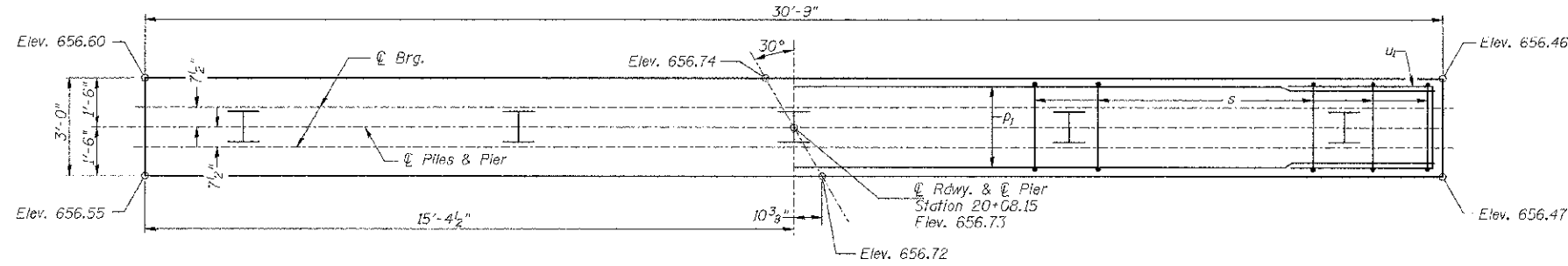
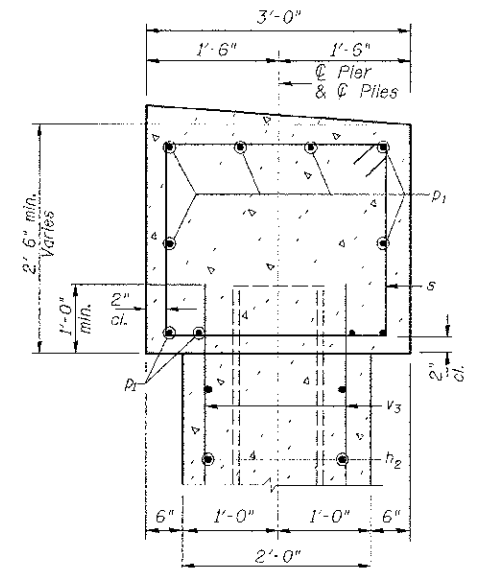


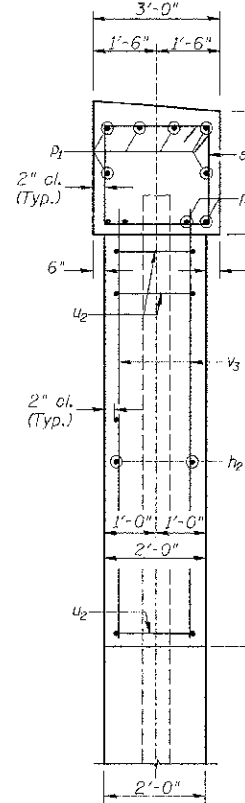
NOTES:
 All edges shall have standard 3/4" chamfer.
 The Pier Stem shall be constructed in a single continuous concrete pour.



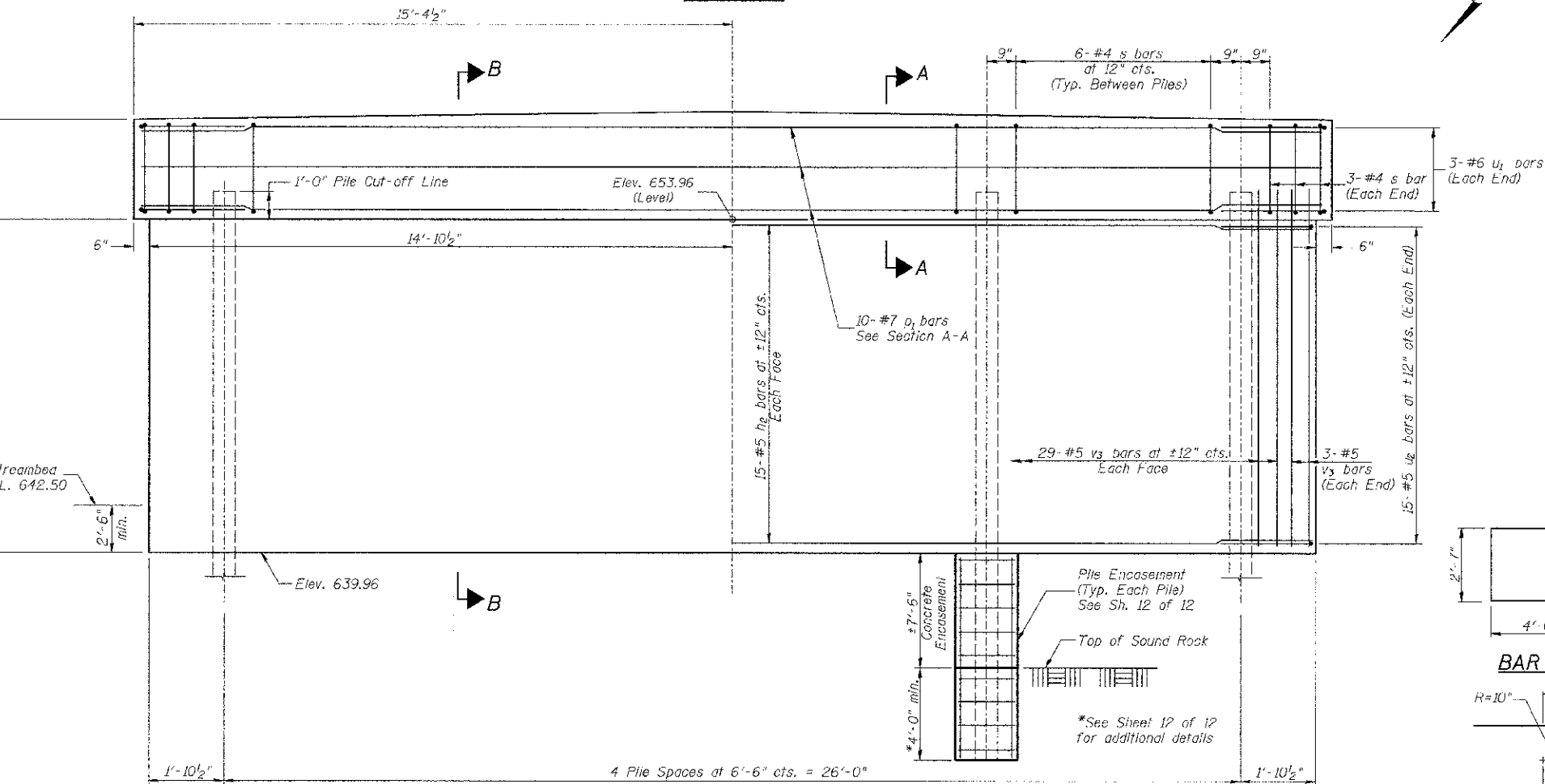
TOP PLAN



SECTION A-A



SECTION B-B

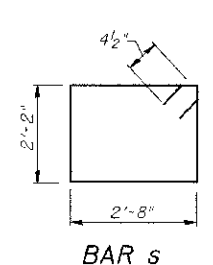
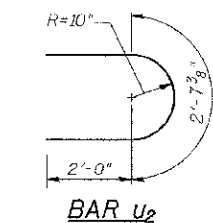
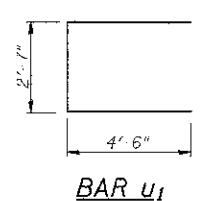


ELEVATION
(Looking Upstation)

PIER #2
BILL OF MATERIAL

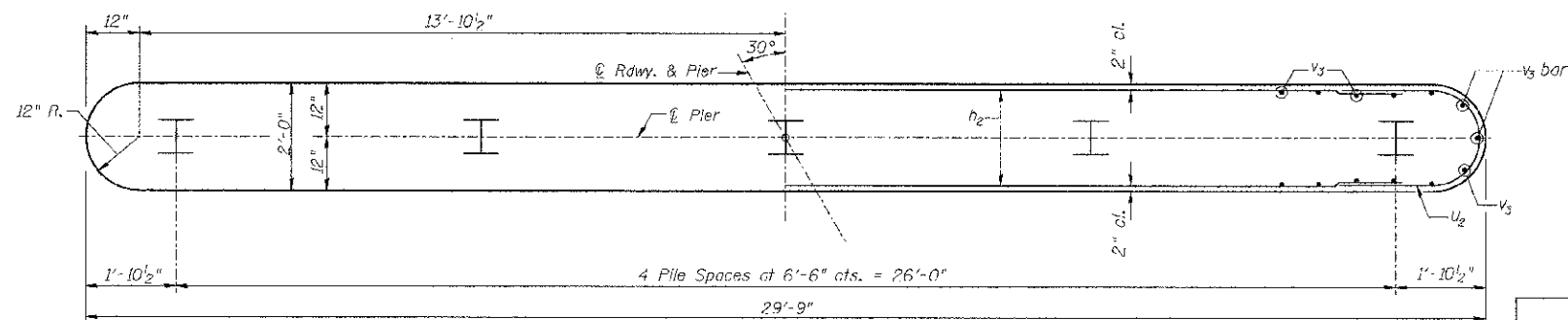
BAR	NO.	SIZE	LENGTH	SHAPE
h _p	30	#5	27'-5"	—
p ₁	10	#7	30'-6"	—
s	30	#4	10'-5"	□
u ₁	6	#6	11'-7"	—
u ₂	30	#5	6'-8"	—
v ₃	64	#5	14'-10"	—
Concrete Structures		CU YD	39.5	
Reinforcement Bars		FOUND	2,990	
Cofferdam Excavation		CU YD	35	
Furnishing Steel Piles HP10x42		FOOT	135	
① Setting Piles in Rock		EACH	5	
Concrete Encasement		CU YD	4.4	
① Cofferdam (Type I) (Location-2)		EACH	1	

① See Special Provisions



PILE DATA

Type & Size: Steel HP10x42
 Nominal Required Bearing: Set in Rock (335 kips)
 Factored Resistance Available: Set in Rock (184 kips)
 Est. Length: 27'
 No. Req'd.: 5



FOOTING PLAN

SHEET NO. 11 12 SHEETS	ROUTE NO.	SECTION	COUNTY	TOTAL SHEETS	SHEET NO.
	TR 141	10-04118-00-BR	BROWN	24	17
	S.N. 005-3407		CONTRACT NO. 99588		
FED. ROAD DIST. NO. 7 ILLINOIS		FED. AID PROJECT 8R05-0009(221)			

PIER #2
BROWN COUNTY
SECTION 10-04118-00-BR
T.R. 141 OVER WELLS FORK