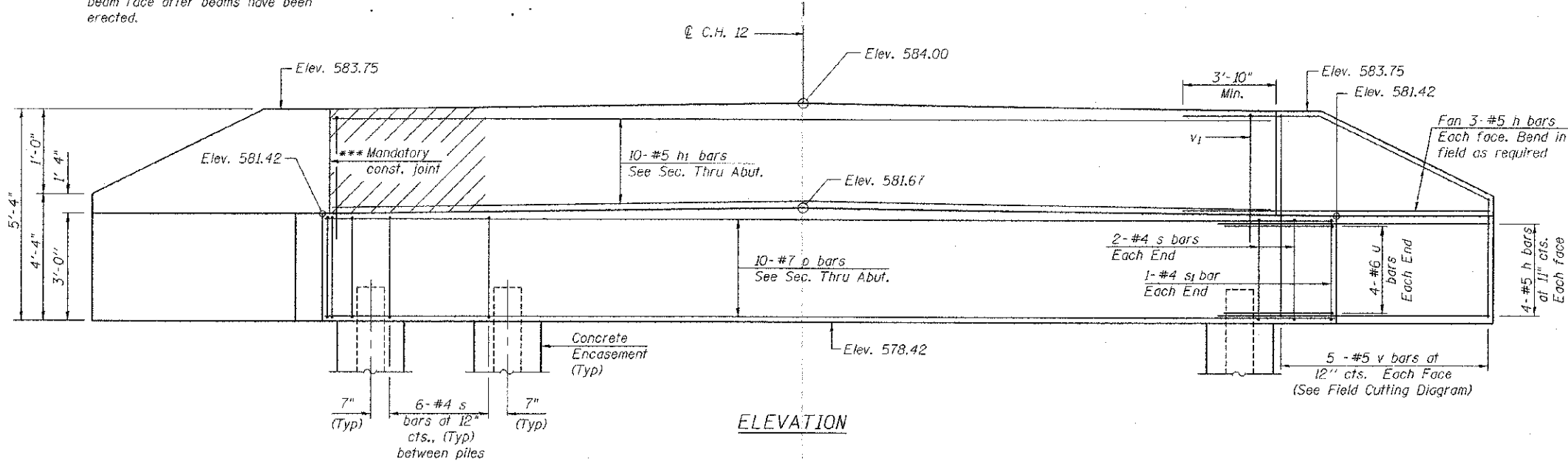
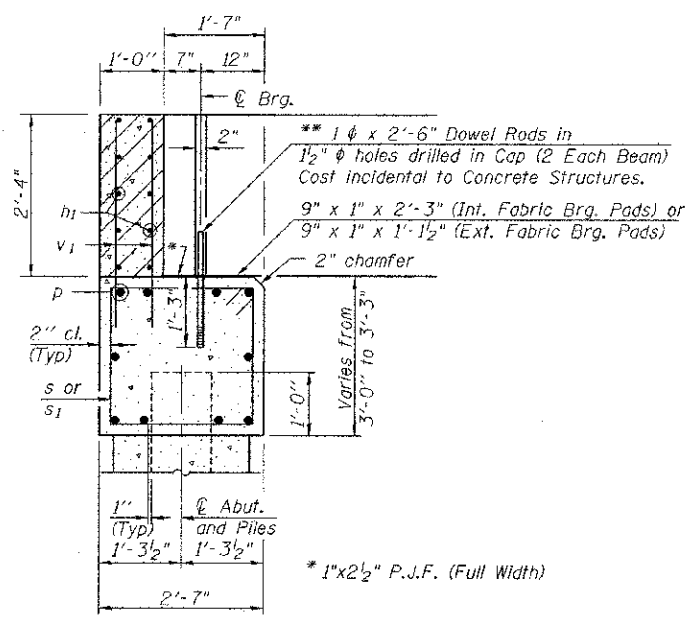


*** Cast top of wingwall flush with exterior beam face after beams have been erected.

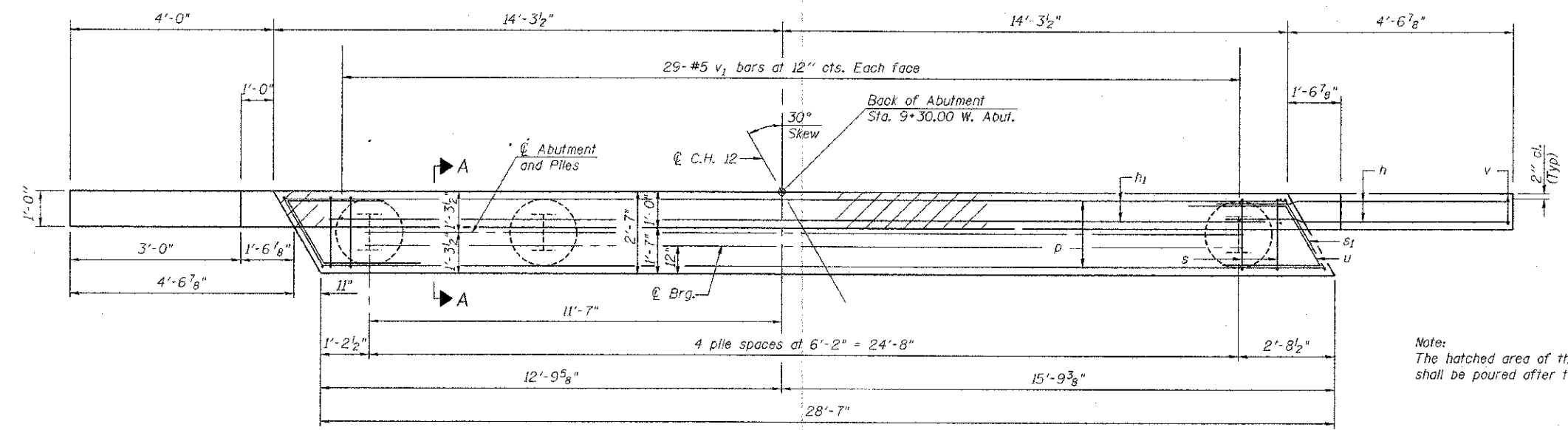


ELEVATION



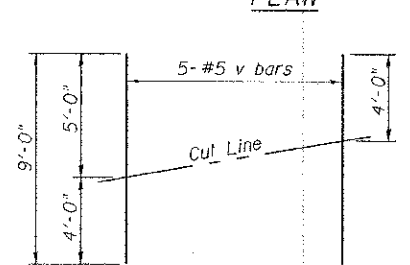
SECTION A-A
(Dimensions are at Rt. L's)

*** Dowel Rods to be grouted after beams are in place and prior to grouting the shear keys.



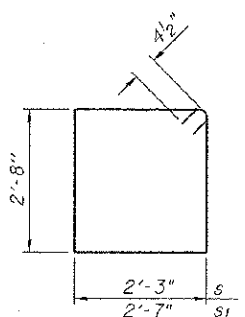
PLAN

PILE DATA - W. ABUT.
 Type: HP 10 x 42
 Nominal Required Bearing: 335 kips
 Factored Resistance Available: 167 kips
 Est. Length: 18'
 No. Production Piles: 5 (Includes Test Pile)
 No. Test Piles: 1

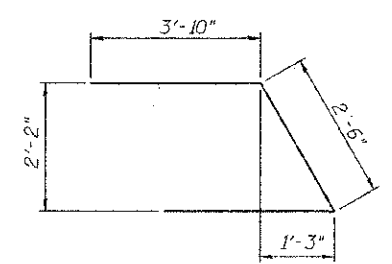


FIELD CUTTING DIAGRAM

Order v bars full length. Cut as shown and use remainder of bars in opposite face.



BARS s & s1



BAR u

BILL OF MATERIAL - W. ABUT.

Bar	No.	Size	Length	Shape
h	28	#5	8'-1"	—
h1	10	#5	28'-3"	—
p	10	#7	28'-3"	—
s	28	#4	10'-1"	□
s1	2	#4	11'-3"	□
u	8	#6	10'-2"	△
v	10	#5	9'-0"	—
v1	58	#5	4'-6"	—

ITEM	UNIT	QUANTITY
Structure Excavation	Cu. Yd.	34
Concrete Structures	Cu. Yd.	12.6
Reinforcement Bars	Pound	1,810
Furnishing Steel Piles	Foot	72
HP 10 x 42	Foot	72
Driving Piles	Foot	72
Test Pile Steel	Each	1
HP 10 x 42	Each	1
Concrete Encasement	Cu. Yd.	1.8

Notes:
 For details of Piles and Concrete Encasement, see sheet 11 of 11.

ie CONSULTANTS, INC
 6420 SOUTH SIXTH STREET RD
 SPRINGFIELD, ILLINOIS 62712
 TEL. (217) 529-8027
 FAX (217) 529-4543
 IESPRINGFIELD@IE-CONSULTANTS.COM
 WWW.IE-CONSULTANTS.COM

AD-2742-L 7-1-10

FILE NAME *	USER NAME *	DESIGNED - SCD	REVISED -	STATE OF ILLINOIS DEPARTMENT OF TRANSPORTATION	WEST ABUTMENT DETAILS STRUCTURE NO. 087-3574	C.H. RTE.	SECTION	COUNTY	TOTAL SHEETS	SHEET NO.	
		CHECKED - DRB	REVISED -			12	09-00267-00-BR	SHELBY	24	21	
PLOT SCALE *		DRAWN - JEB	REVISED -			CONTRACT NO. 95700					
PLOT DATE *		CHECKED - SCD	REVISED -			ILLINOIS REG. AID PROJECT					